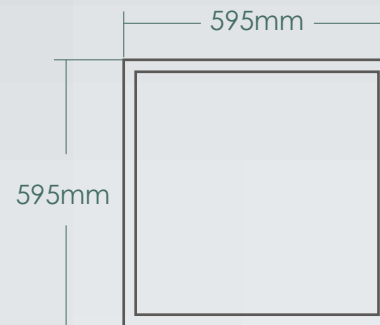
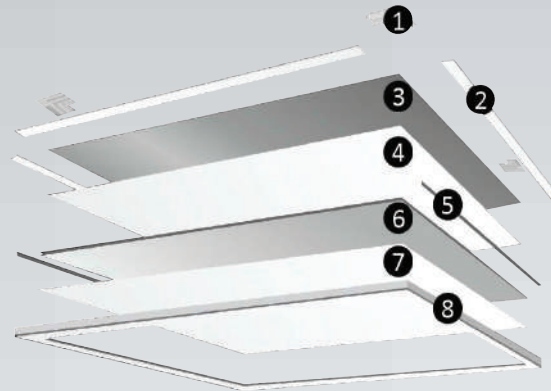


Antibacterial LED Panel Light



Advantages

- Nano TiO₂ coating
- Non Flickering Driver
- IP20 - IP54 - IP65
- up to 120 Lm/W
- DALI dimming available
- Suitable for recessed, surface mounted or suspended installation
- Aluminum heat sink & PMMA LGP
- Warranty: 5 years



www.iinno-led.com



[iinno_light](https://www.instagram.com/iinno_light)



[iinno Light](https://www.facebook.com/iinno_light)



[iinno Light](https://www.youtube.com/iinno_light)



[iinno](https://www.linkedin.com/company/iinno)

Applications: Hospitals • Medical Clinics • Schools • Public spaces • Food processing facilities • Restaurants • Kitchens