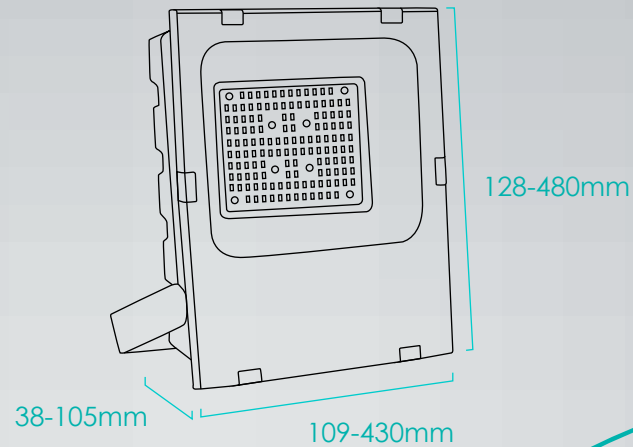


Hydra Floodlights 10W-300W

iinno
intelligent innovations

Designing Your
Lighting Solutions



up to
150Lm/W

Advantages

- Efficiency: 130 Lm/W
- 100W-300W models also available at 150 Lm/W
- 120° Beam angle
- Die cast aluminum housing
- Tempered glass cover
- Operating Voltage:
 - 10W-20W: DC10-30V
 - 35W-300W: AC100-240V
- Warranty: 5 years



Applications: Parking lots • Industrial areas • Manufacturing facilities
• Sports fields • Warehouses • Airports • Ports



www.iinno-led.com



[iinno_light](#)



[iinno Light](#)



[iinno Light](#)



[iinno](#)

