



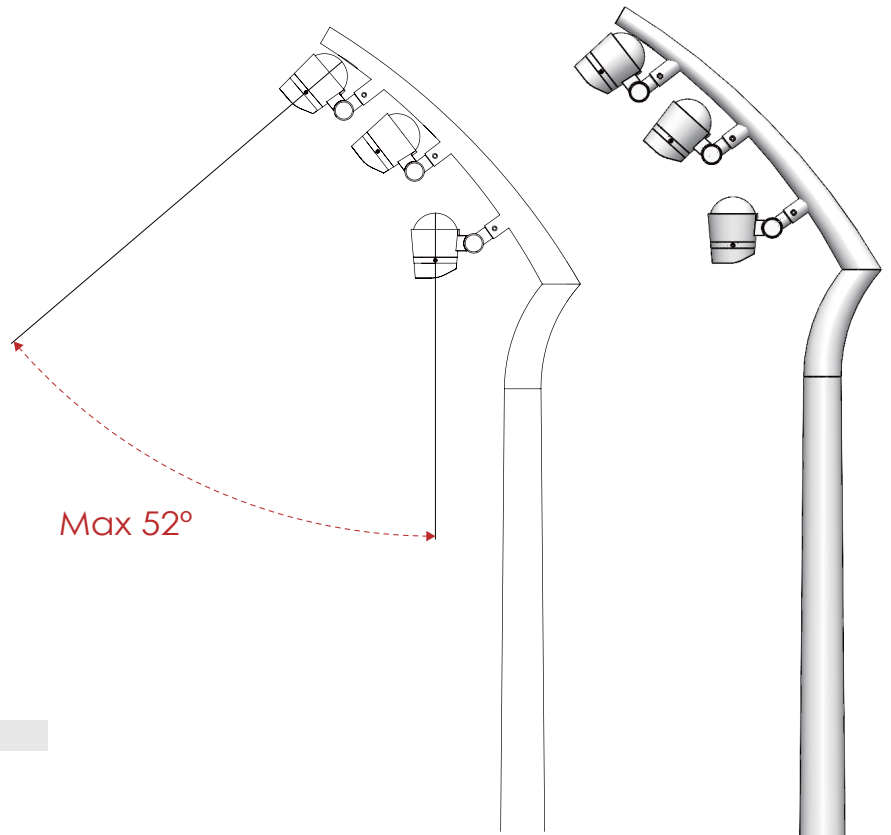
# Landscape street lights

Designing your lighting solutions



# Landscape / Street pole light

## B9BRY0126 @8.6W×3



### Pole Dimension & Material

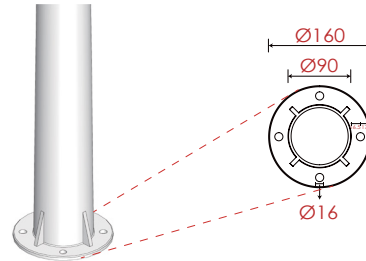
Diameter : Ø90mm (Max)  
 Height : 2400 mm (Customizeable)  
 Material : Iron

### Painting Color

Basic  
 Sanded Grey  
**KAL 7042**

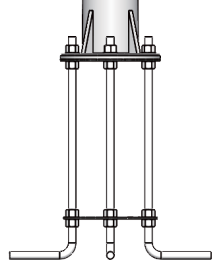
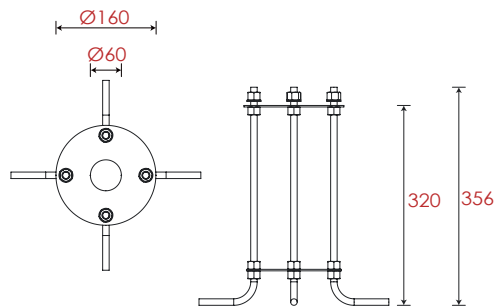
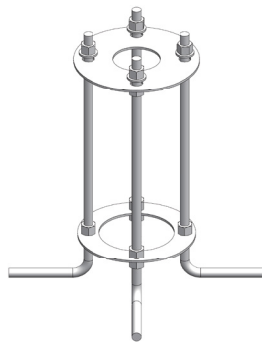
Secondary  
 Sanded Black  
**RAL 9005**

### Flange Base



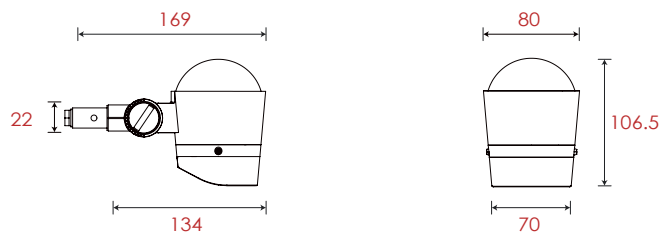
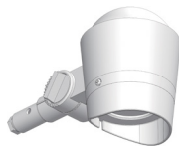
### Accessories

### Base Dimension



Item	Lens	The manufacturer selected lens degree(°)Ø1/2	Input voltage(V)	Typical operating current(mA)	Typical consumption(W)	Typical luminance(lm)	IK rate
B9BRY0126	B71	N/A	DC 24 AC 240	24V=1080 240V=120	24V=25.8 240V=25.8	2085	07

# Landscape / Street pole light B9BRY0126 @8.6W×3



## Specification


<b>Housing</b>	12# Die-Casting aluminum finishing or powder painting T=60-80µm.Adhesion of ISO class 1/ASTM class 4B
<b>Light Window</b>	Tempered Glass.T=3mm
<b>Cable Gland</b>	IP68 PG-9 PA66
<b>Gasket</b>	Tooling shaped seal
<b>Led</b>	NICHIA

<b>Operating Restrict</b>	Temperature of water between -20°C~40°C
<b>Led Driver</b>	Constant Voltage Input, Constant Current Output
<b>Power Cable</b>	Outside of luminaire 12V/24V: H05RN-F 2×1.0mm², L=0.3m 120V/240V: H05RN-F 3×1.0mm², L=0.3m
<b>Dimming Support</b>	TRIAC PWM Available 1-10V Dali Customized

## Painting Color

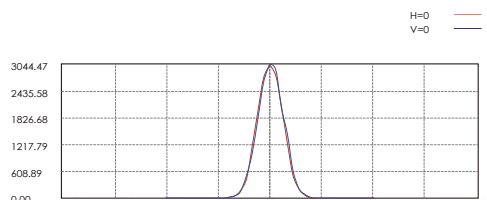
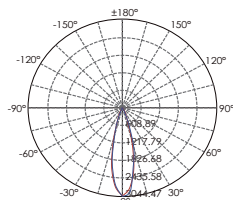
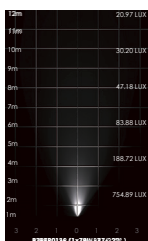
<b>Basic</b>	Sanded Grey KAL 7042	<b>Secondary</b>	Sanded Black RAL 9005
--------------	-------------------------	------------------	--------------------------

## Lens

Item Code	Referenced Degree(°)θ1/2			
 B71	15°	24°	45°	60°

Item	Light Source	Lens	The manufacturer selected lens degree(°)θ1/2	Input voltage(V)	Typical operating current(mA)	Typical consumption(W)	Typical luminance(lm)	IK rate
<b>B9BRY0126</b>	7W	B71	24°	DC 24 AC 240	24V=360 240V=40	24V=8.6 240V=8.6	695	07

## Photometric



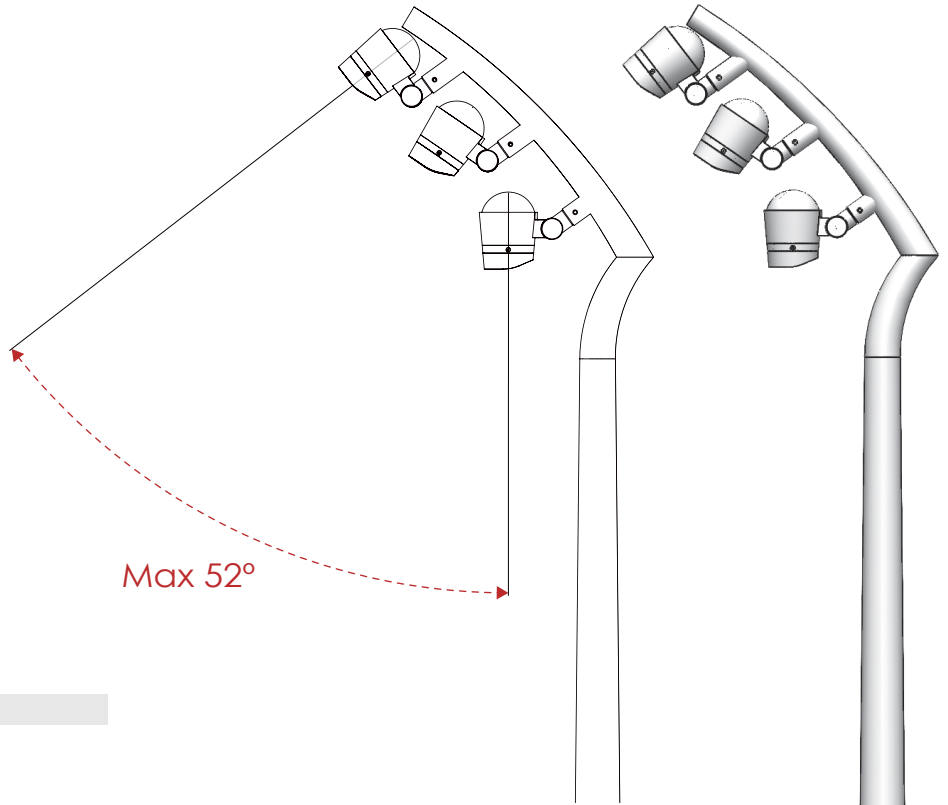
Lux distance Curve

Distance (m)	Illuminance at a Distance		Beam Width	
	Center Beam LUX	Beam Width V	Beam Width H	
2m	754.89 LUX	0.9m	0.9m	
4m	188.72 LUX	1.9m	1.9m	
6m	83.88 LUX	2.8m	2.8m	
8m	47.18 LUX	3.7m	3.7m	
10m	30.20 LUX	4.7m	4.7m	
12m	20.97 LUX	5.6m	5.6m	

Vert.Spread:26.2 Horiz.Spread:23

# Landscape / Street pole light

## B9BSY0169 @20W×3



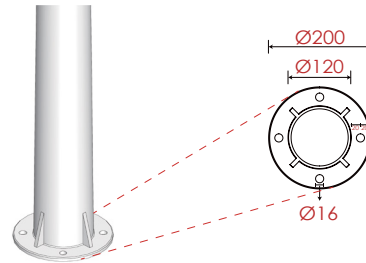
### Pole Dimension & Material

Diameter : Ø120mm (Max)  
 Height : 3200mm (Customizeable)  
 Material : Iron

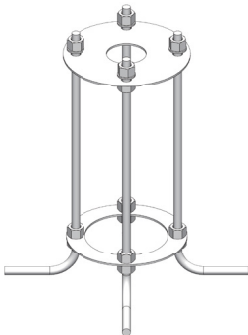
### Painting Color

Basic	Secondary
Sanded Grey KAL 7042	Sanded Black RAL 9005

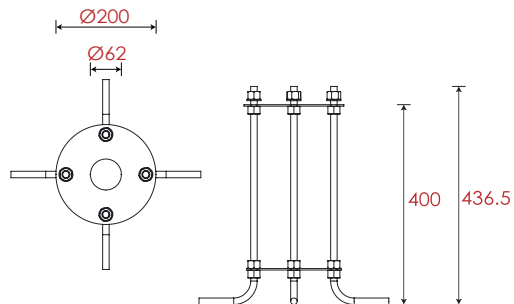
### Flange Base



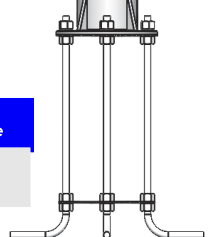
### Accessories



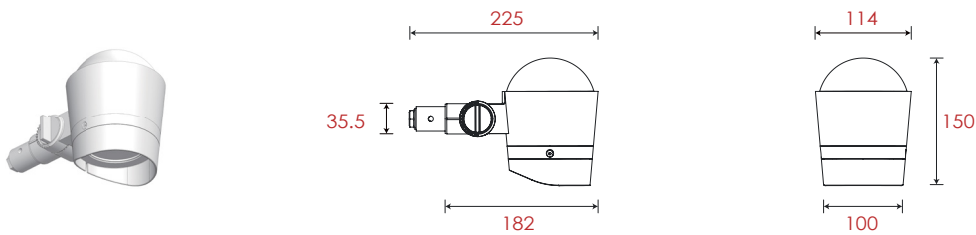
### Base Dimension



Item	Lens	The manufacturer selected lens degree(°)Ø1/2	Input voltage(V)	Typical operating current(mA)	Typical consumption(W)	Typical luminance(lm)	IK rate
B9BSY0169	B76	N/A	DC 24 AC 240	24V=2385 240V=120	24V=56.1 240V=60	5490	07



# Landscape / Street pole light B9BSY0169 @20W×3



## Specification


<b>Housing</b>	12# Die-Casting aluminum finishing or powder painting T=60-80µm.Adhesion of ISO class 1/ASTM class 4B
<b>Light Window</b>	Tempered Glass.T=3mm
<b>Cable Gland</b>	IP68 PG-9 PA66
<b>Gasket</b>	Tooling shaped seal
<b>Led</b>	NICHIA

<b>Operating Restrict</b>	Temperature of water between -20°C~40°C
<b>Led Driver</b>	Constant Voltage Input, Constant Current Output
<b>Power Cable</b>	Outside of luminaire 12V/24V: H05RN-F 2×1.0mm <sup>2</sup> , L=0.3m 120V/240V: H05RN-F 3×1.0mm <sup>2</sup> , L=0.3m
<b>Dimming Support</b>	TRIAC PWM Available 1-10V Dali Customized

## Painting Color

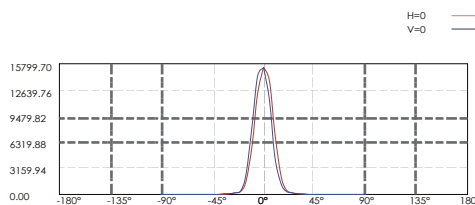
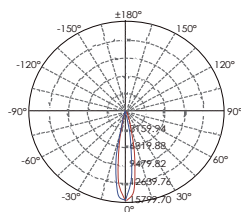
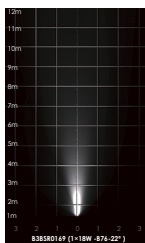
Basic	Secondary
Sanded Grey KAL 7042	Sanded Black RAL 9005

## Lens

Item Code	Referenced Degree(°)θ1/2			
 B76	15°	20°	35°	50°

Item	Light Source	Lens	The manufacturer selected lens degree(°)θ1/2	Input voltage(V)	Typical operating current(mA)	Typical consumption(W)	Typical luminance(lm)	IK rate
<b>B9BSY0169</b>	18W	B76	20°	DC 24 AC 240	24V=795 240V=40	24V=18.7 240V=20	1830	07

## Photometric

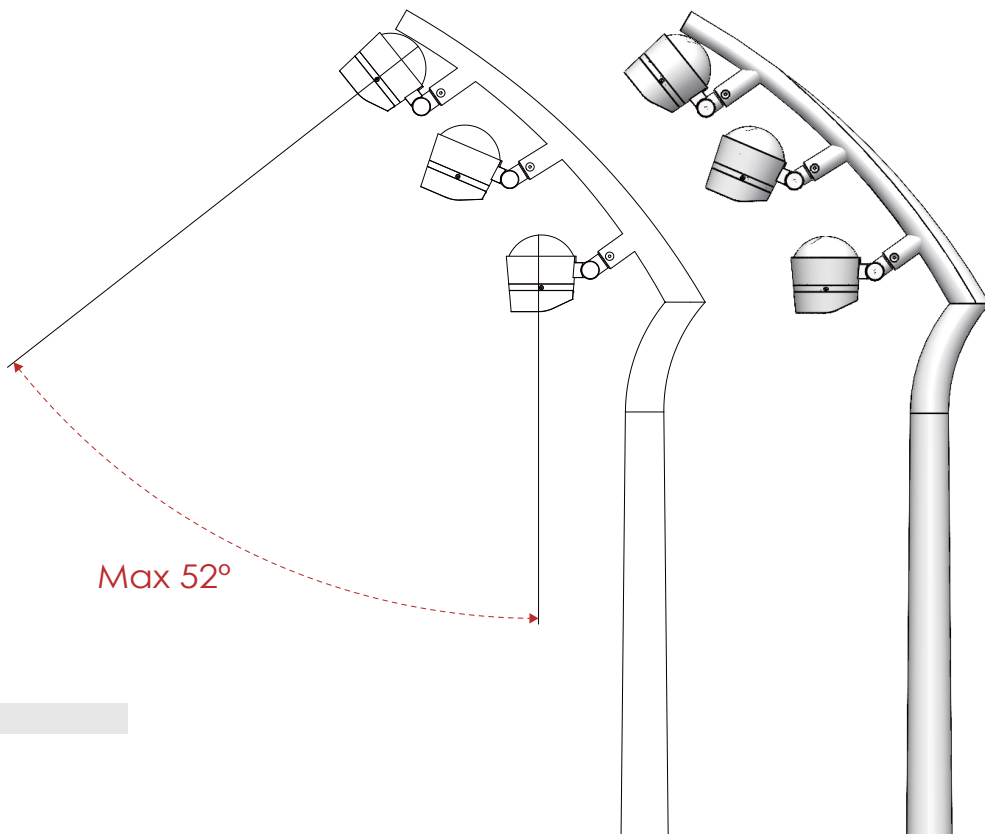


Lux distance Curve

Distance (m)	Illuminance at a Distance	
	Center Beam LUX	Beam Width V H
2m	3882.43 LUX	0.7m 0.6m
4m	970.61 LUX	1.3m 1.3m
6m	431.38 LUX	2.0m 1.9m
8m	242.65 LUX	2.6m 2.6m
10m	155.30 LUX	3.3m 3.2m
12m	107.85 LUX	3.9m 3.9m

Vert.Spread:18.5 Horiz.Spread:5.3

# Landscape / Street pole light B9BTY0173 @30W×3



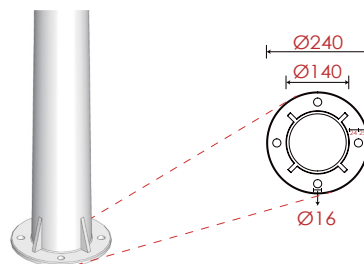
## Pole Dimension & Material

Diameter : Ø140mm (Max)  
Height : 4000mm (Customizeable)  
Material : Iron

## Painting Color

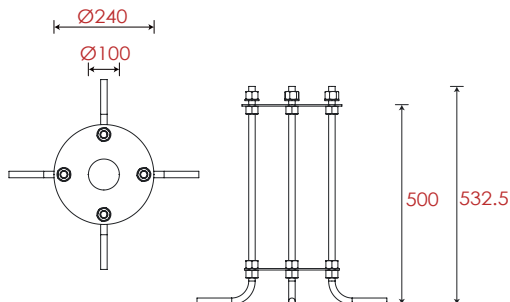
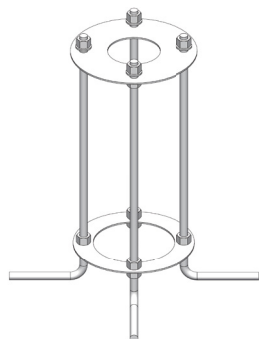
Basic	Secondary
Sanded Grey KAL 7042	Sanded Black RAL 9005

## Flange Base

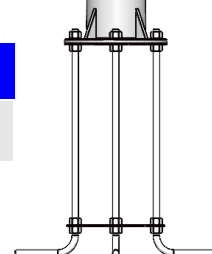


## Accessories

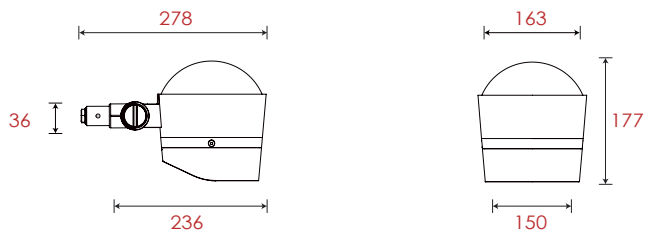
## Base Dimension



Item	Lens	The manufacturer selected lens degree(°)Ø1/2	Input voltage(V)	Typical operating current(mA)	Typical consumption(W)	Typical luminance(lm)	IK rate
B9BTY0173	B57	N/A	DC 24 AC 240	24V=3750 240V=378	24V=90 240V=90	7971	07



# Landscape / Street pole light B9BTY0173 @30W×3



## Specification

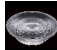
<b>Housing</b>	12# Die-Casting aluminum finishing or powder painting T=60-80μm.Adhesion of ISO class 1/ASTM class 4B
<b>Light Window</b>	Tempered Glass.T=3mm
<b>Cable Gland</b>	IP68 PG-9 PA66
<b>Gasket</b>	Tooling shaped seal
<b>Led</b>	NICHIA

<b>Operating Restrict</b>	Temperature of water between -20°C~40°C
<b>Led Driver</b>	Constant Voltage Input, Constant Current Output
<b>Power Cable</b>	Outside of luminaire 12V/24V: H05RN-F 2×1.0mm², L=0.3m 120V/240V: H05RN-F 3×1.0mm², L=0.3m
<b>Dimming Support</b>	TRIAC PWM Available 1-10V Dali Customized

## Painting Color

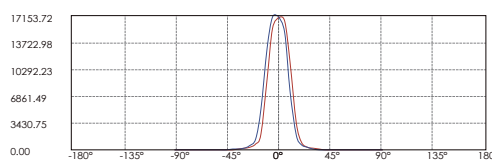
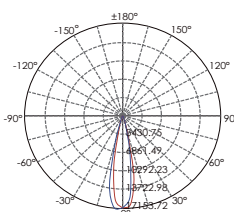
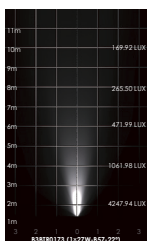
Basic	Secondary
 Sanded Grey KAL 7042	 Sanded Black RAL 9005

## Lens

Item Code	Referenced Degree(°)θ1/2			
 B57	15°	25°	36°	60°

Item	Light Source	Lens	The manufacturer selected lens degree(°)θ1/2	Input voltage(V)	Typical operating current(mA)	Typical consumption(W)	Typical luminance(lm)	IK rate
B9BTY0173	27W	B57	25°	DC 24 AC 240	24V=1250 240V=126	24V=30 240V=30	2657	07

## Photometric



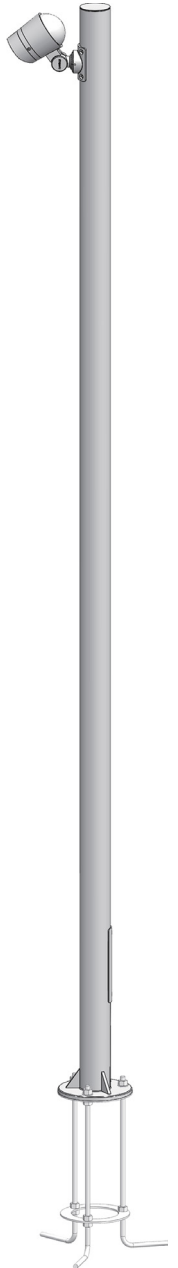
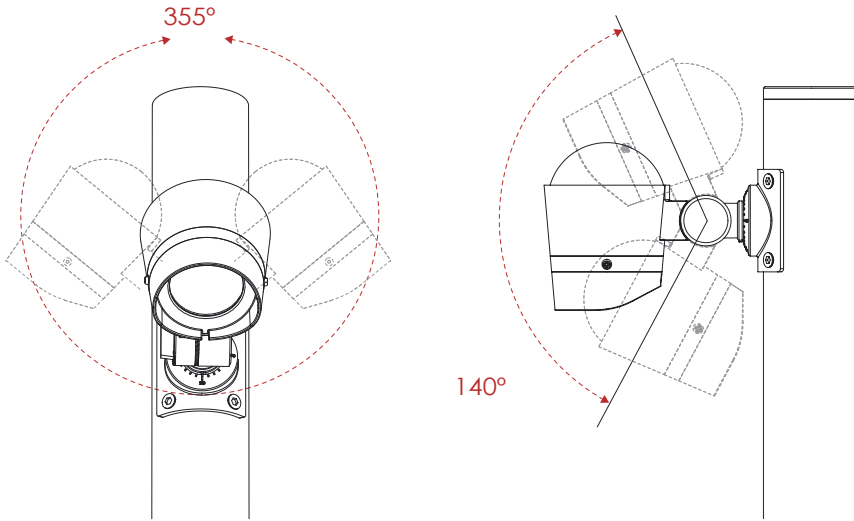
Lux distance Curve

Distance (m)	Illuminance at a Distance		Beam Width	
	Center Beam LUX	Beam LUX	V	H
2m	4247.94 LUX	169.92 LUX	0.8m	0.8m
4m	1061.98 LUX	42.4794 LUX	1.6m	1.6m
6m	471.99 LUX	18.149 LUX	2.3m	2.3m
8m	265.50 LUX	10.6198 LUX	3.1m	3.1m
10m	169.92 LUX	6.7499 LUX	3.9m	3.9m
12m	118.00 LUX	4.7199 LUX	4.7m	4.7m

Vert.Spread:22.1 Horiz.Spread:7.2.1

# Landscape / Street pole light B9BRC0126 @8.6W

## Adjustable Beam Direction



## Regular Painting Color

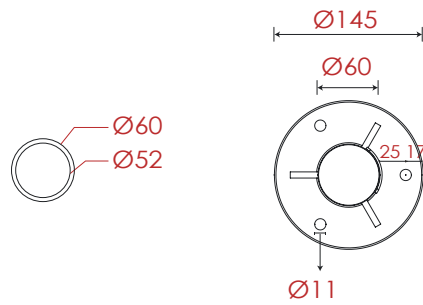
Basic

Sanded Grey  
KAL 7042

Secondary

Sanded Black  
RAL 9005

## Flag Base

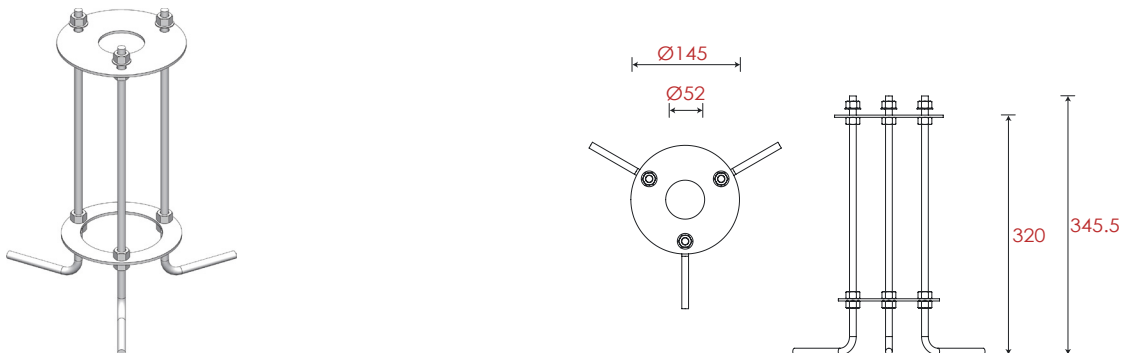


## Pole Dimension

Diameter : Ø60mm  
Height : 2200mm (Customizable)  
Material : Aluminum

## Accessories

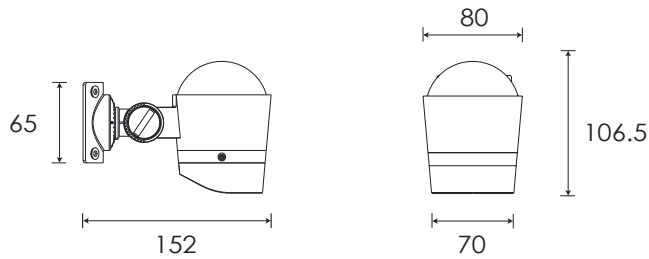
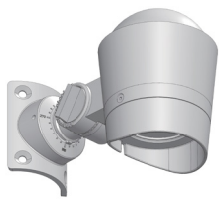
## Base Dimension



Item	Lens	The manufacturer selected lens degree(°)θ1/2	Input voltage(V)	Typical operating current(mA)	Typical consumption(W)	Typical luminance(lm)	IK rate
B9BRC0126	B71	24°	120 / 240	120V=71 240V=40	8.6	695	07



# Landscape / Street pole light B9BRC0126 @8.6W




## Specification

<b>Housing</b>	12# Die-Casting aluminum finishing or powder painting T=60-80µm. Adhesion of ISO class 1/ASTM class 4B	<b>LED Driver</b>	Constant Voltage Input, Constant Current Output
<b>Light Window</b>	Tempered Glass, T=3mm	<b>Power Cable</b>	Outside of luminaire 120V/240V: H05RN-F 3×1.0mm², L=3m
<b>Cable Gland</b>	IP68 PG-9 PA66	<b>Dimming Support</b>	TRIAC PWM Available 1-10V Dim Customized
<b>Gasket</b>	Tooling shaped seal	<b>Operating Restrict</b>	Temperature of water between -20°C~40°C
<b>LED</b>	NICHIA		

## Lens

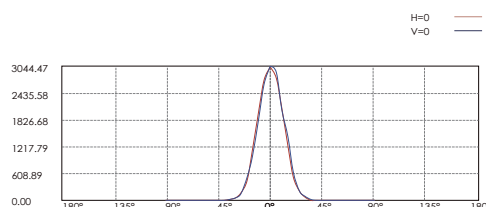
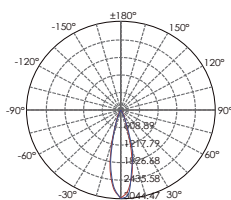
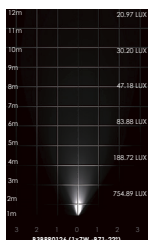
### Regular Painting Color

<b>Basic</b>	<b>Secondary</b>
Sanded Grey KAL 7042	Sanded Black RAL 9005

Item Code	Referenced Degree(°)θ1/2			
 B71	15°	24°	45°	60°

Item	Light Source	Lens	The manufacturer selected lens degree(°)θ1/2	Input voltage(V)	Typical operating current(mA)	Typical consumption(W)	Typical luminance(lm)	IK rate
B9BRR0126	7W	B71	24°	120 / 240	120V=71 240V=40	8.6	695	07

## Photometric

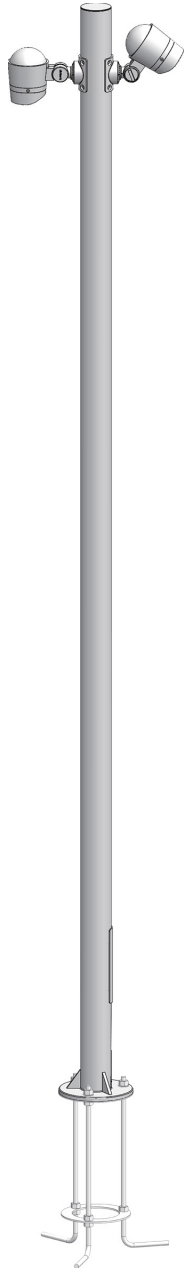
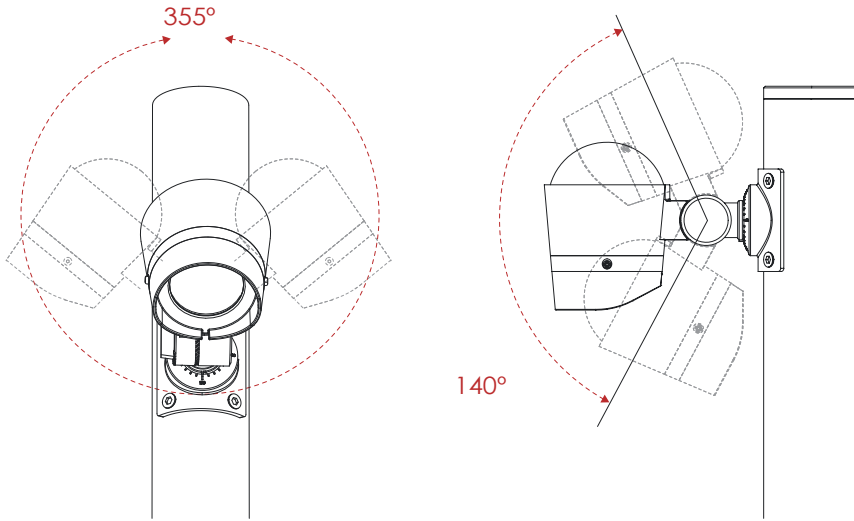


Distance (m)	Illuminance at a Distance	
	Center Beam LUX	Beam Width (V x H)
2m	754.89 LUX	0.9m x 0.9m
4m	188.72 LUX	1.9m x 1.9m
6m	83.88 LUX	2.8m x 2.8m
8m	47.18 LUX	3.7m x 3.7m
10m	30.20 LUX	4.7m x 4.7m
12m	20.97 LUX	5.6m x 5.6m

Vert. Spread: 26.2    Horiz. Spread: 26.3

# Landscape / Street pole light B9BRC0226 @8.6W×2

## Adjustable Beam Direction



## Regular Painting Color

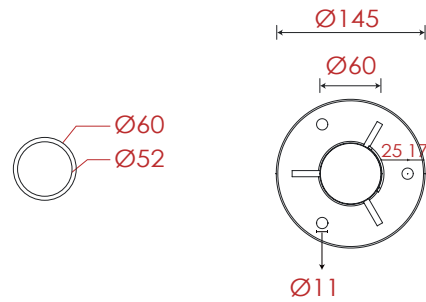
Basic

Sanded Grey  
KAL 7042

Secondary

Sanded Black  
RAL 9005

## Flag Base

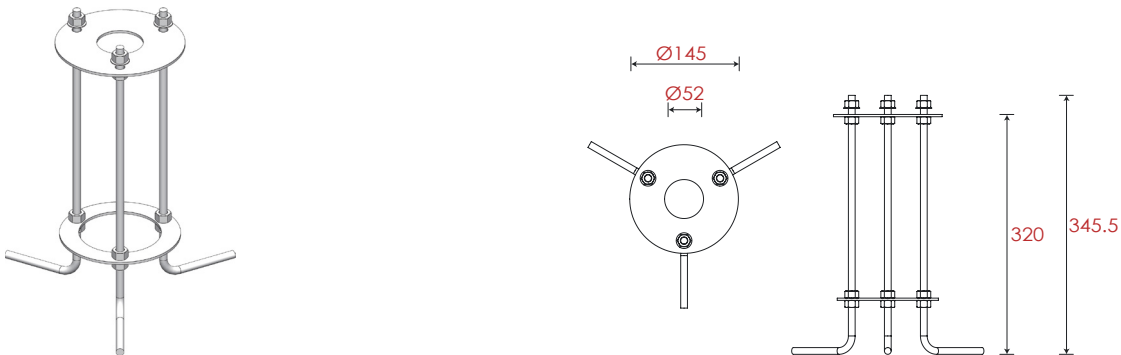


## Pole Dimension

Diameter : Ø60mm  
Height : 2200mm (Customizable)  
Material : Aluminum

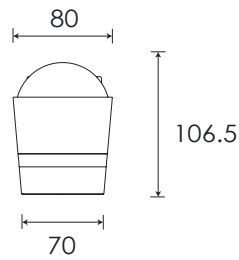
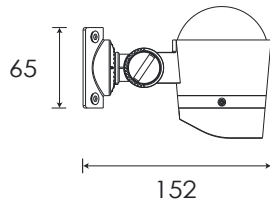
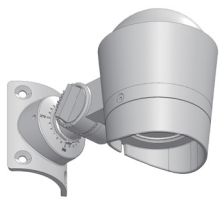
## Accessories

## Base Dimension



Item	Lens	The manufacturer selected lens degree(°)θ1/2	Input voltage(V)	Typical operating current(mA)	Typical consumption(W)	Typical luminance(lm)	IK rate
B9BRC0226	B71	24°	120 / 240	120V=71 × 2 240V=40 × 2	8.6 × 2	695 × 2	07

# Landscape / Street pole light B9BRC0226 @8.6W×2




## Specification

<b>Housing</b>	12# Die-Casting aluminum finishing or powder painting T=60-80μm.Adhesion of ISO class 1/ASTM class 4B	<b>LED Driver</b>	Constant Voltage Input, Constant Current Output
<b>Light Window</b>	Tempered Glass.T=3mm	<b>Power Cable</b>	Outside of luminaire 120V/240V: H05RN-F 3×1.0mm², L=3m
<b>Cable Gland</b>	IP68 PG-9 PA66	<b>Dimming Support</b>	TRIAC PWM Available 1-10V Dali Customized
<b>Gasket</b>	Tooling shaped seal	<b>Operating Restrict</b>	Temperature of water between -20°C~40°C
<b>LED</b>	NICHIA		

## Lens

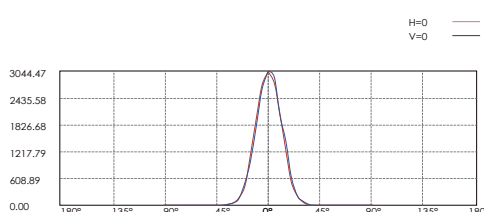
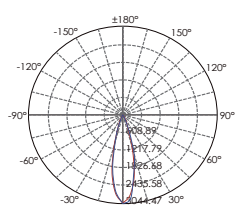
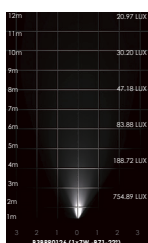
### Regular Painting Color

<b>Basic</b>	<b>Secondary</b>
Sanded Grey KAL 7042	Sanded Black RAL 9005

Item Code	Referenced Degree(°)θ1/2			
 B71	15°	24°	45°	60°

Item	Light Source	Lens	The manufacturer selected lens degree(°)θ1/2	Input voltage(V)	Typical operating current(mA)	Typical consumption(W)	Typical luminance(lm)	IK rate
B9BRR0126	7W	B71	24°	120 / 240	120V=71 240V=40	8.6	695	07

## Photometric



Lux distance Curve

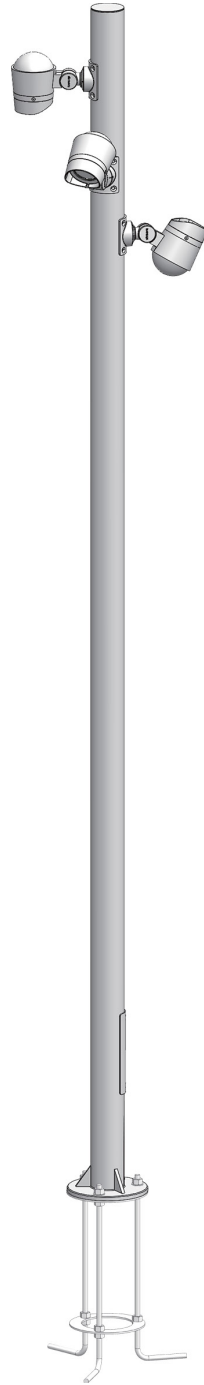
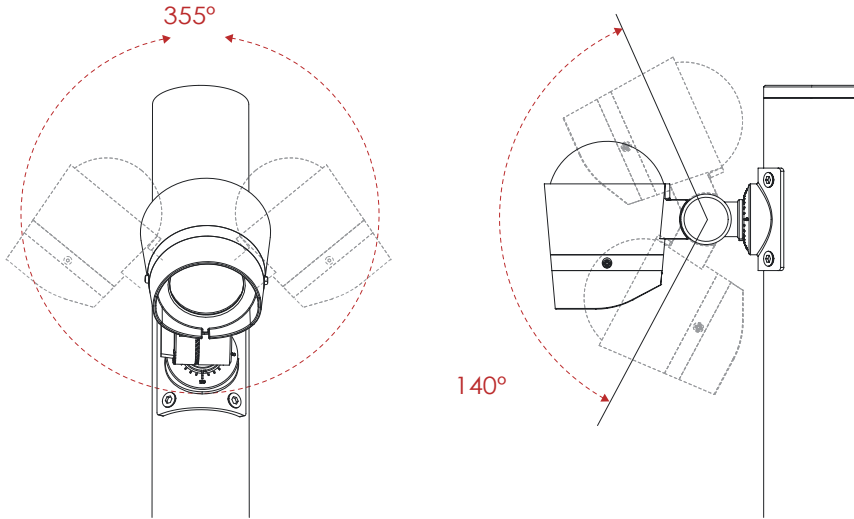
Distance (m)	Illuminance at a Distance	
	Center Beam LUX	Beam Width (V x H)
2m	754.89 LUX	0.9m x 0.9m
4m	188.72 LUX	1.9m x 1.9m
6m	83.88 LUX	2.8m x 2.8m
8m	47.18 LUX	3.7m x 3.7m
10m	30.20 LUX	4.7m x 4.7m
12m	20.97 LUX	5.6m x 5.6m

Vert.Spread:26.2 Horiz.Spread:26.3

# Landscape / Street pole light

## B9BRC0326 @8.6W×3

### Adjustable Beam Direction



### Regular Painting Color

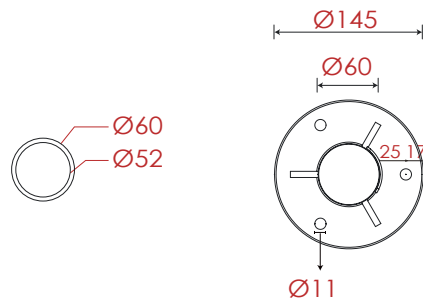
Basic

Sanded Grey  
KAL 7042

Secondary

Sanded Black  
RAL 9005

### Flag Base

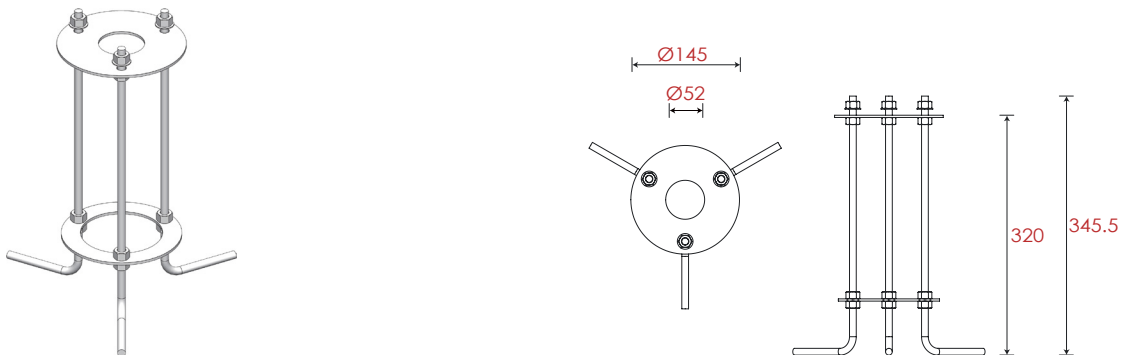


### Pole Dimension

Diameter : Ø60mm  
Height : 2200mm (Customizable)  
Material : Aluminum

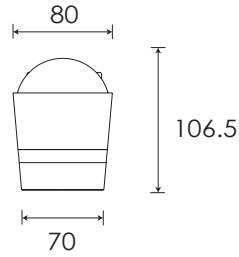
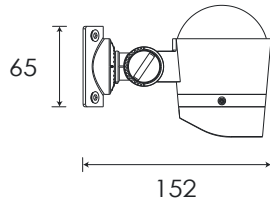
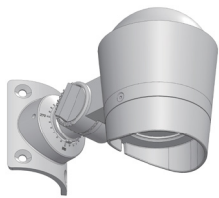
### Accessories

### Base Dimension



Item	Lens	The manufacturer selected lens degree(°)θ1/2	Input voltage(V)	Typical operating current(mA)	Typical consumption(W)	Typical luminance(lm)	IK rate
B9BRC0326	B71	24°	120 / 240	120V=71 × 3 240V=40 × 3	8.6 × 3	695 × 3	07

# Landscape / Street pole light B9BRC0326 @8.6W×3




## Specification

<b>Housing</b>	12# Die-Casting aluminum finishing or powder painting T=60-80μm.Adhesion of ISO class 1/ASTM class 4B	<b>LED Driver</b>	Constant Voltage Input, Constant Current Output
<b>Light Window</b>	Tempered Glass.T=3mm	<b>Power Cable</b>	Outside of luminaire 120V/240V: H05RN-F 3×1.0mm², L=3m
<b>Cable Gland</b>	IP68 PG-9 PA66	<b>Dimming Support</b>	TRIAC PWM Available 1-10V Dali Customized
<b>Gasket</b>	Tooling shaped seal	<b>Operating Restrict</b>	Temperature of water between -20°C~40°C
<b>LED</b>	NICHIA		

## Lens

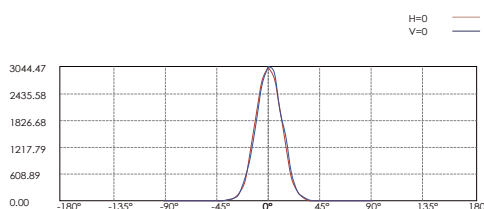
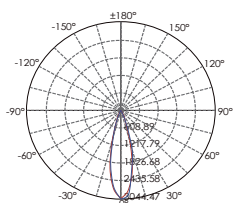
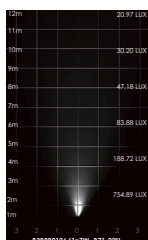
### Regular Painting Color

<b>Basic</b>	<b>Secondary</b>
Sanded Grey KAL 7042	Sanded Black RAL 9005

Item Code	Referenced Degree(°)θ1/2			
 B71	15°	24°	45°	60°

Item	Light Source	Lens	The manufacturer selected lens degree(°)θ1/2	Input voltage(V)	Typical operating current(mA)	Typical consumption(W)	Typical luminance(lm)	IK rate
B9BRR0126	7W	B71	24°	120 / 240	120V=71 240V=40	8.6	695	07

## Photometric



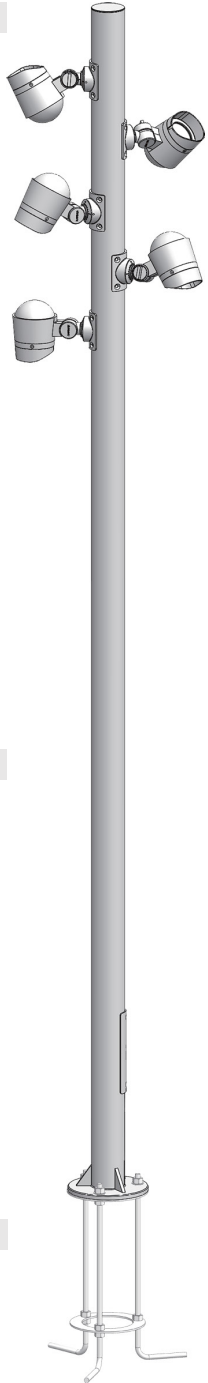
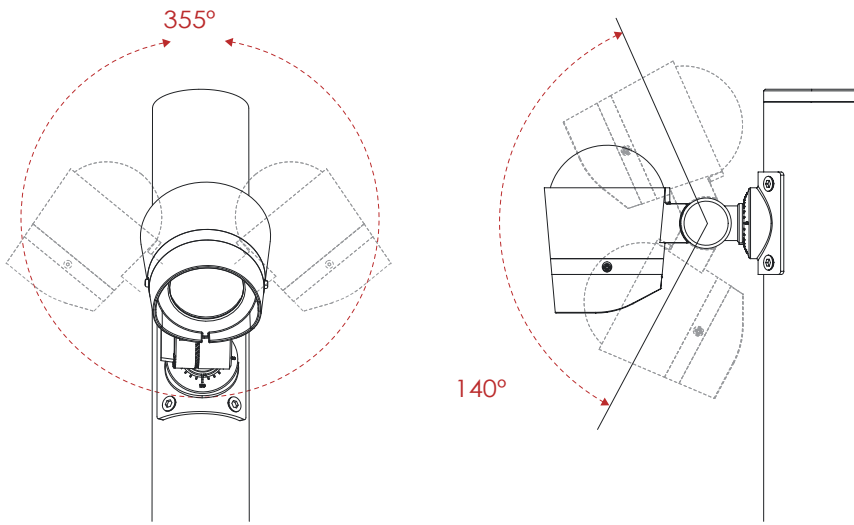
Distance	Illuminance at a Distance	
	Center Beam LUX	Beam Width V/H
2m	754.89 LUX	0.9m 0.9m
4m	188.72 LUX	1.9m 1.9m
6m	83.88 LUX	2.8m 2.8m
8m	47.18 LUX	3.7m 3.7m
10m	30.20 LUX	4.7m 4.7m
12m	20.97 LUX	5.6m 5.6m

Vert.Spread:26.2 Horiz.Spread:26.3

# Landscape / Street pole light

## B9BRC0526 @8.6W×5

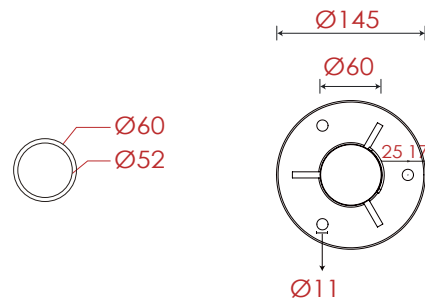
### Adjustable Beam Direction



### Regular Painting Color

Basic	Secondary
 Sanded Grey KAL 7042	 Sanded Black RAL 9005

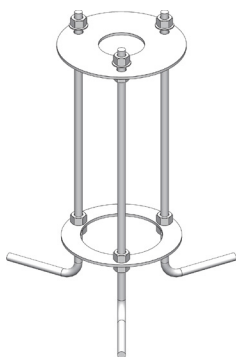
### Flag Base



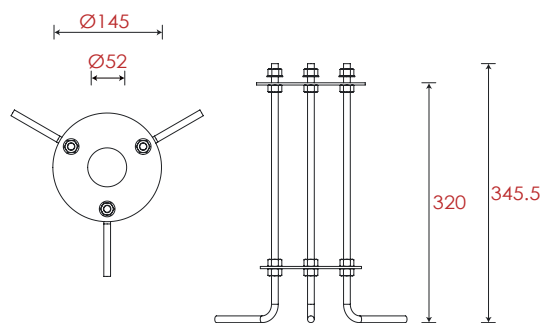
### Pole Dimension

Diameter : Ø60mm  
Height : 2200mm (Customizeable)  
Material : Aluminum

### Accessories

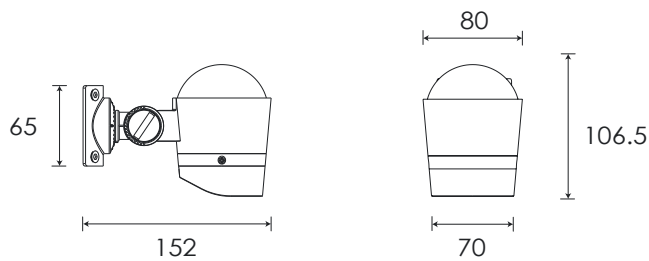
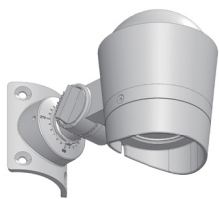


### Base Dimension



Item	Lens	The manufacturer selected lens degree(°)θ1/2	Input voltage(V)	Typical operating current(mA)	Typical consumption(W)	Typical luminance(lm)	IK rate
B9BRC0526	B71	24°	120 / 240	120V=71 × 5 240V=40 × 5	8.6 × 5	695 × 5	07

# Landscape / Street pole light B9BRC0526 @8.6W×5




## Specification

<b>Housing</b>	12# Die-Casting aluminum finishing or powder painting T=60-80µm.Adhesion of ISO class 1/ASTM class 4B	<b>LED Driver</b>	Constant Voltage Input, Constant Current Output
<b>Light Window</b>	Tempered Glass.T=3mm	<b>Power Cable</b>	Outside of luminaire 120V/240V: H05RN-F 3×1.0mm², L=3m
<b>Cable Gland</b>	IP68 PG-9 PA66	<b>Dimming Support</b>	TRIAC PWM Available 1-10V Dali Customized
<b>Gasket</b>	Tooling shaped seal	<b>Operating Restrict</b>	Temperature of water between -20°C~40°C
<b>LED</b>	NICHIA		

## Regular Painting Color

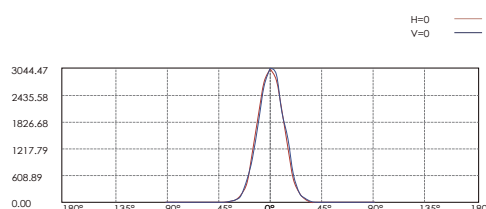
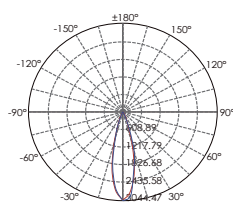
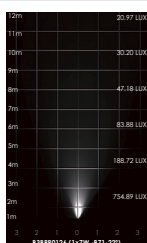
Basic	Secondary
 Sanded Grey KAL 7042	 Sanded Black RAL 9005

## Lens

Item Code	Referenced Degree(°)θ1/2			
 B71	15°	24°	45°	60°

Item	Light Source	Lens	The manufacturer selected lens degree(°)θ1/2	Input voltage(V)	Typical operating current(mA)	Typical consumption(W)	Typical luminance(lm)	IK rate
B9BRR0126	7W	B71	24°	120 / 240	120V=71 240V=40	8.6	695	07

## Photometric

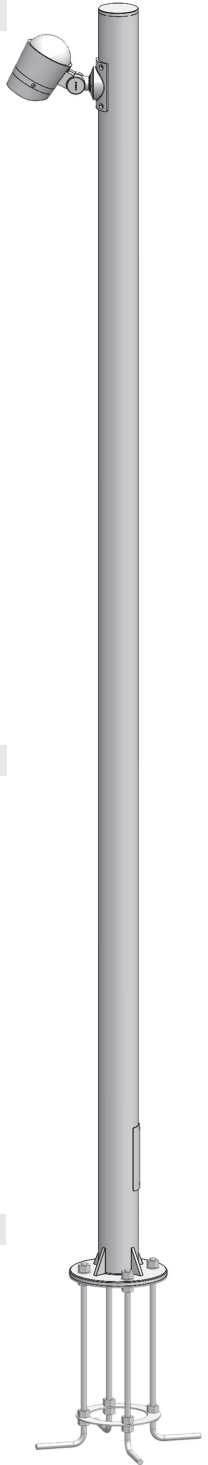
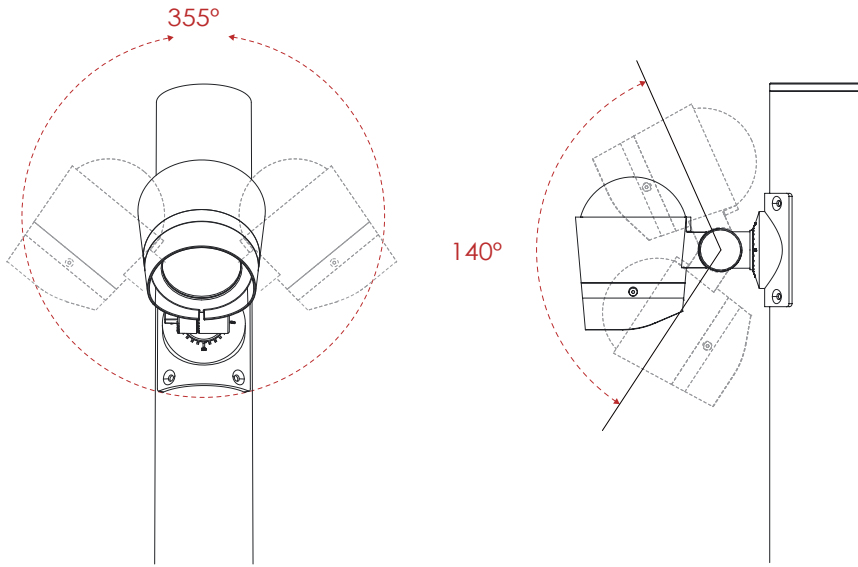


Distance (m)	Illuminance at a Distance	
	Center Beam LUX	Beam Width V x H
2m	754.89 LUX	0.9m 0.9m
4m	188.72 LUX	1.9m 1.9m
6m	83.88 LUX	2.8m 2.8m
8m	47.18 LUX	3.7m 3.7m
10m	30.20 LUX	4.7m 4.7m
12m	20.97 LUX	5.6m 5.6m

Vert.Spread:26.2 Horiz.Spread:26.3

# Landscape / Street pole light B9BSC0169 @20W

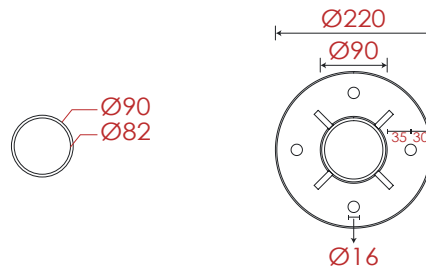
## Adjustable Beam Direction



## Regular Painting Color

Basic		Secondary	
	Sanded Grey KAL 7042		Sanded Black RAL 9005

## Flag Base

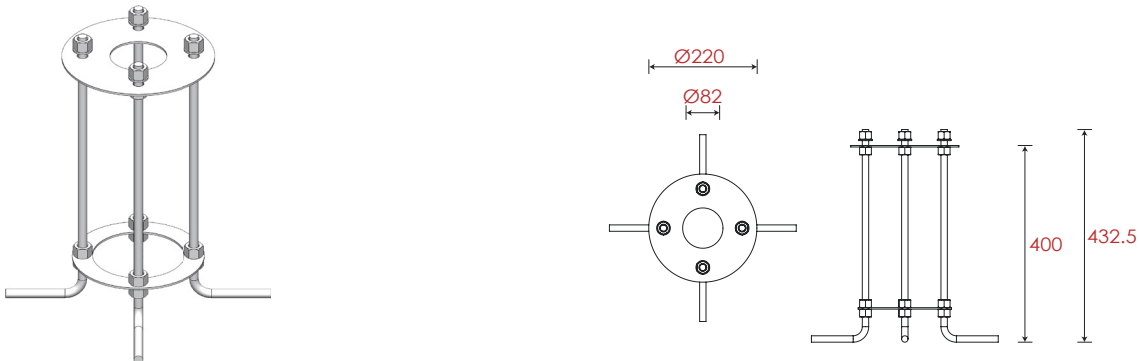


## Pole Dimension & Material

Diameter : Ø90mm  
Height : 3000mm (Customizeable)  
Material : Aluminum

## Accessories

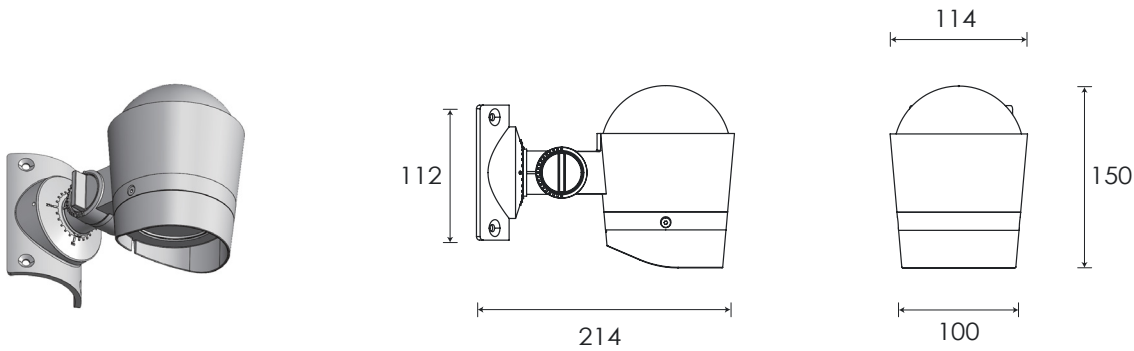
### Base Dimension



Item	Lens	The manufacturer selected lens degree(°)θ1/2	Input voltage(V)	Typical operating current(mA)	Typical consumption(W)	Typical luminance(lm)	IK rate
B9BSC0169	B76	20°	240	240V=40	20	1830	07






# Landscape / Street pole light B9BSR0169



## Specification

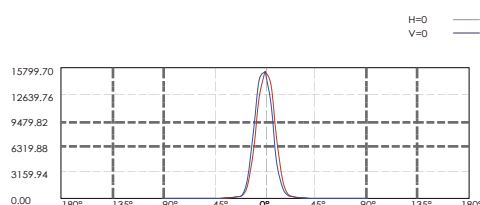
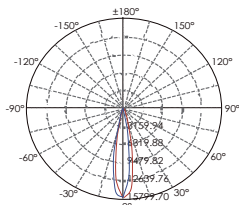
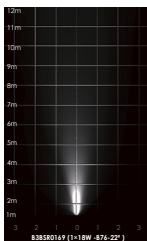
<b>Housing</b>	12# Die-Casting aluminum finishing or powder painting T=60-80μm.Adhesion of ISO class 1/ASTM class 4B	<b>LED Driver</b>	Constant Voltage Input, Constant Current Output
<b>Light Window</b>	Tempered Glass.T=3mm	<b>Power Cable</b>	Outside of luminaire 120V/240V: H05RN-F 3x1.0mm <sup>2</sup> , L=4m
<b>Cable Gland</b>	IP68 PG-9 PA66	<b>Dimming Support</b>	TRIAC PWM Available 1-10V Dali Customized
<b>Gasket</b>	Tooling shaped seal	<b>Operating Restrict</b>	Temperature of environment between -20°C~40°C
<b>LED</b>	NICHIA		

## Lens

Regular Painting Color		Item Code	Referenced Degree(°)θ1/2			
Basic	Secondary	 B76	15°	20°	35°	50°
 Sanded Grey KAL 7042	 Sanded Black RAL 9005					

Item	Light Source	Lens	The manufacturer selected lens degree(°)θ1/2	Input voltage(V)	Typical operating current(mA)	Typical consumption(W)	Typical luminance(lm)	IK rate
B9BSR0169	18W	B76	20°	240	240V=40	20	1830	07

## Photometric



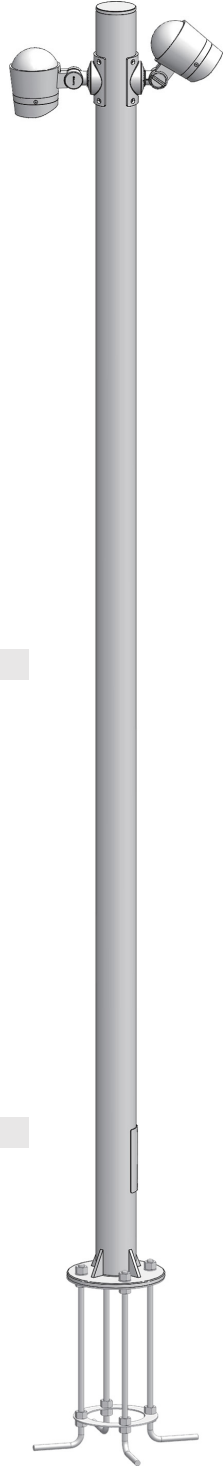
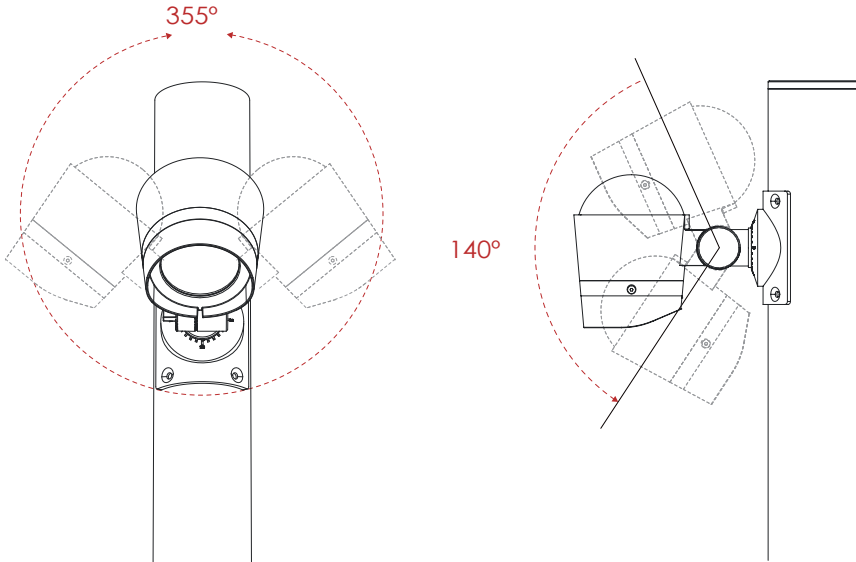
Lux distance Curve

Distance (m)	Illuminance of a Distance	
	Center Beam LUX	Beam Width (V x H)
2m	3882.43 LUX	0.7m x 0.6m
4m	970.61 LUX	1.3m x 1.3m
6m	431.38 LUX	2.0m x 1.9m
8m	242.65 LUX	2.6m x 2.6m
10m	155.30 LUX	3.3m x 3.2m
12m	107.85 LUX	3.9m x 3.9m

Vert.Spread:18.5 Horiz.Spread:18.3

# Landscape / Street pole light B9BSC0269 @20wX2

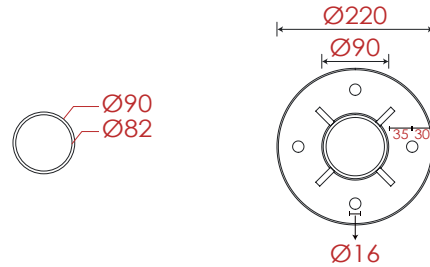
## Adjustable Beam Direction



## Regular Painting Color

Basic	Secondary
 Sanded Grey KAL 7042	 Sanded Black RAL 9005

## Flag Base

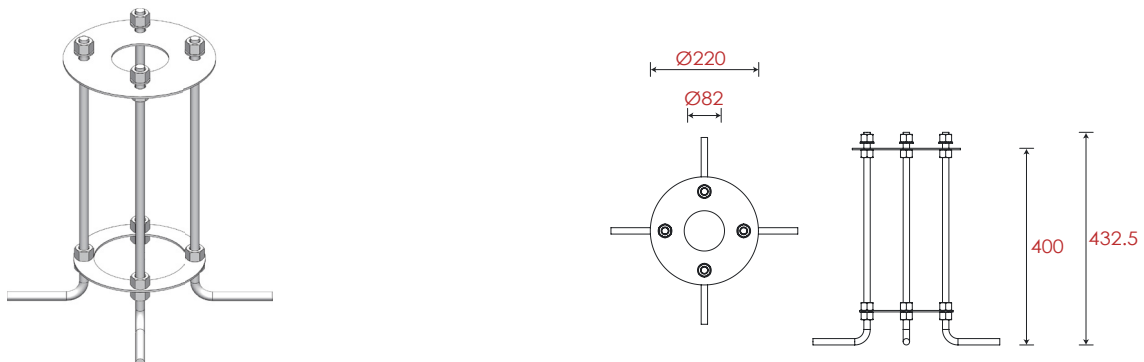


## Pole Dimension & Material

Diameter : Ø90mm  
Height : 3000mm (Customizeable)  
Material : Aluminum

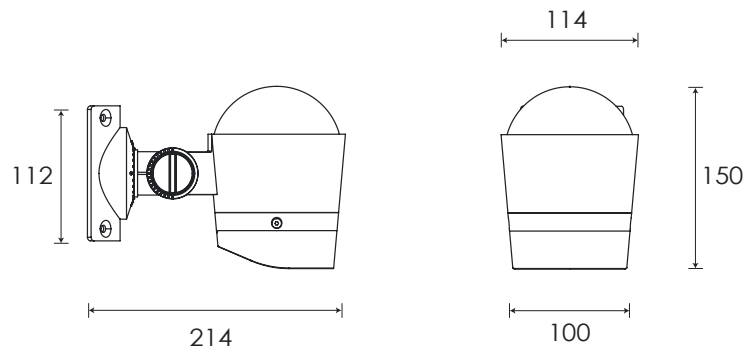
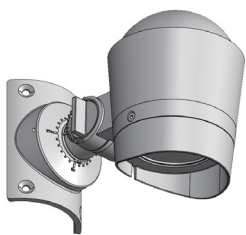
## Accessories

### Base Dimension



Item	Lens	The manufacturer selected lens degree(°)θ1/2	Input voltage(V)	Typical operating current(mA)	Typical consumption(W)	Typical luminance(lm)	IK rate
B9BSC0269	B76	20°	240	240V=40 × 2	20 × 2	1830 × 2	07

# Landscape / Street pole light B9BSR0169




## Specification

<b>Housing</b>	12# Die-Casting aluminum finishing or powder painting T=60-80μm. Adhesion of ISO class 1/ASTM class 4B	<b>LED Driver</b>	Constant Voltage Input, Constant Current Output
<b>Light Window</b>	Tempered Glass, T=3mm	<b>Power Cable</b>	Outside of luminaire 120V/240V: H05RN-F 3×1.0mm <sup>2</sup> , L=4m
<b>Cable Gland</b>	IP68 PG-9 PA66	<b>Dimming Support</b>	TRIAC PWM Available 1-10V Dali Customized
<b>Gasket</b>	Tooling shaped seal	<b>Operating Restrict</b>	Temperature of environment between -20°C~40°C
<b>LED</b>	NICHIA		

## Regular Painting Color

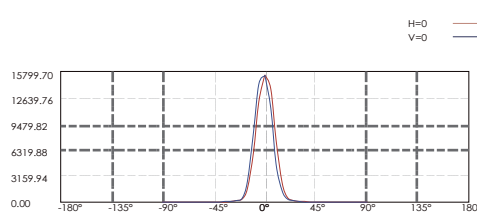
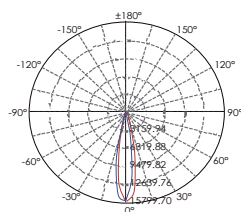
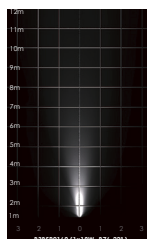
Basic	Secondary
 Sanded Grey KAL 7042	 Sanded Black RAL 9005

## Lens

Item Code	Referenced Degree(°)θ1/2			
 B76	15°	20°	35°	50°

Item	Light Source	Lens	The manufacturer selected lens degree(°)θ1/2	Input voltage(V)	Typical operating current(mA)	Typical consumption(W)	Typical luminance(lm)	IK rate
B9BSR0169	18W	B76	20°	240	240V=40	20	1830	07

## Photometric



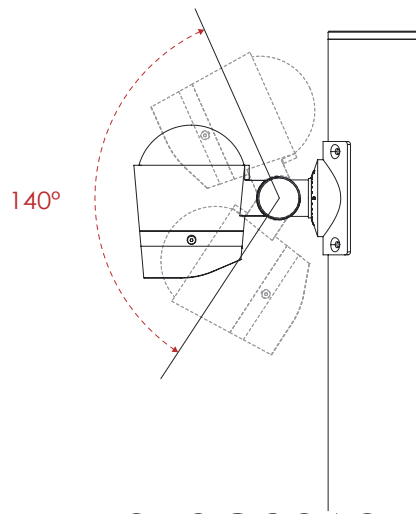
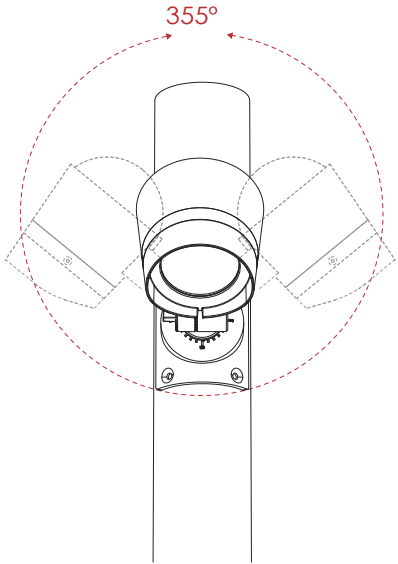
Lux distance Curve

Distance (m)	Illuminance at a Distance	
	Center Beam LUX	Beam Width V H
2m	3882.43 LUX	0.7m 0.6m
4m	970.61 LUX	1.3m 1.3m
6m	431.38 LUX	2.0m 1.9m
8m	242.65 LUX	2.6m 2.6m
10m	155.30 LUX	3.3m 3.2m
12m	107.85 LUX	3.9m 3.9m

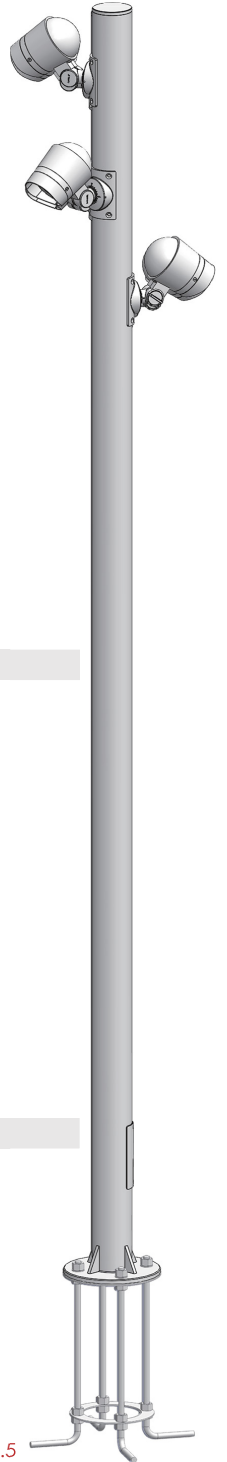
Vert.Spread:18.5 Horiz.Spread:18.3

# Landscape / Street pole light B9BSR0169

## Adjustable Beam Direction



**B9BSC0369 @20W×3**



## Regular Painting Color

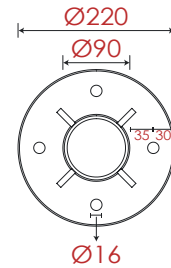
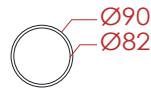
Basic

Sanded Grey  
KAL 7042

Secondary

Sanded Black  
RAL 9005

## Flag Base

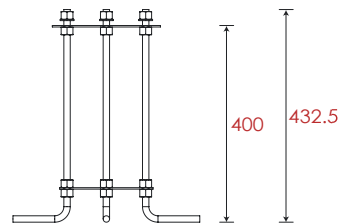
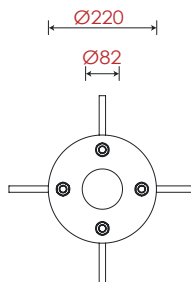
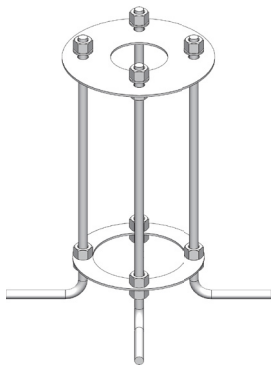


## Pole Dimension & Material

Diameter : Ø90mm  
Height : 3000mm (Customizeable)  
Material : Aluminum

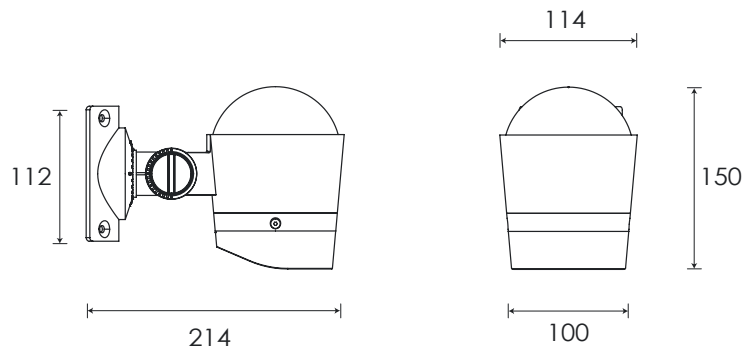
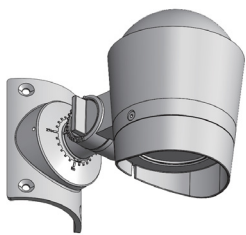
## Accessories

## Base Dimension



Item	Lens	The manufacturer selected lens degree(°)Ø1/2	Input voltage(V)	Typical operating current(mA)	Typical consumption(W)	Typical luminance(lm)	IK rate
B9BSC0369	B76	20°	240	240V=40 × 3	20 × 3	1830 × 3	07

# Landscape / Street pole light B9BSR0169




## Specification

<b>Housing</b>	12# Die-Casting aluminum finishing or powder painting T=60-80µm.Adhesion of ISO class 1/ASTM class 4B	<b>LED Driver</b>	Constant Voltage Input, Constant Current Output
<b>Light Window</b>	Tempered Glass.T=3mm	<b>Power Cable</b>	Outside of luminaire 120V/240V: H05RN-F 3×1.0mm <sup>2</sup> , L=4m
<b>Cable Gland</b>	IP68 PG-9 PA66	<b>Dimming Support</b>	TRIAC PWM Available 1-10V Dali Customized
<b>Gasket</b>	Tooling shaped seal	<b>Operating Restrict</b>	Temperature of environment between -20°C~40°C
<b>LED</b>	NICHIA		

## Regular Painting Color

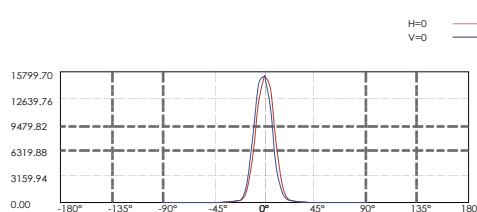
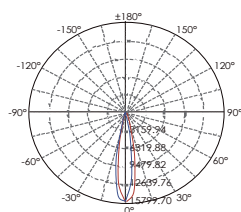
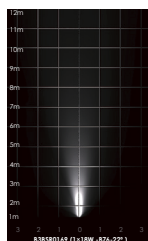
<b>Basic</b>	<b>Secondary</b>
 Sanded Grey KAL 7042	 Sanded Black RAL 9005

## Lens

Item Code	Referenced Degree(°)θ1/2			
 B76	15°	20°	35°	50°

Item	Light Source	Lens	The manufacturer selected lens degree(°)θ1/2	Input voltage(V)	Typical operating current(mA)	Typical consumption(W)	Typical luminance(lm)	IK rate
B9BSR0169	18W	B76	20°	240	240V=40	20	1830	07

## Photometric



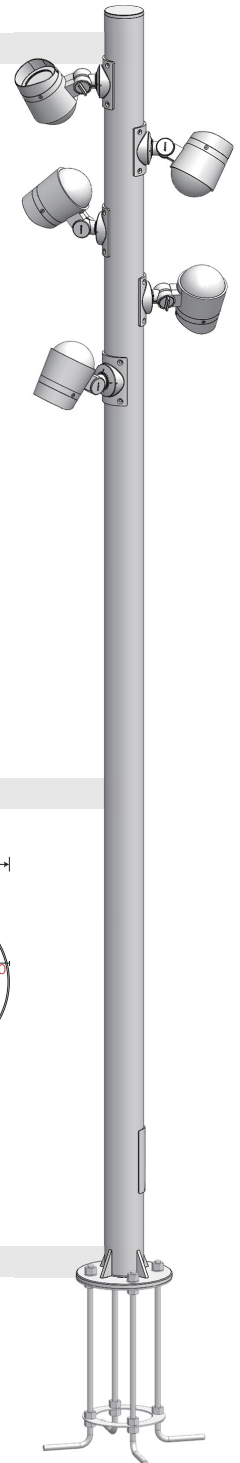
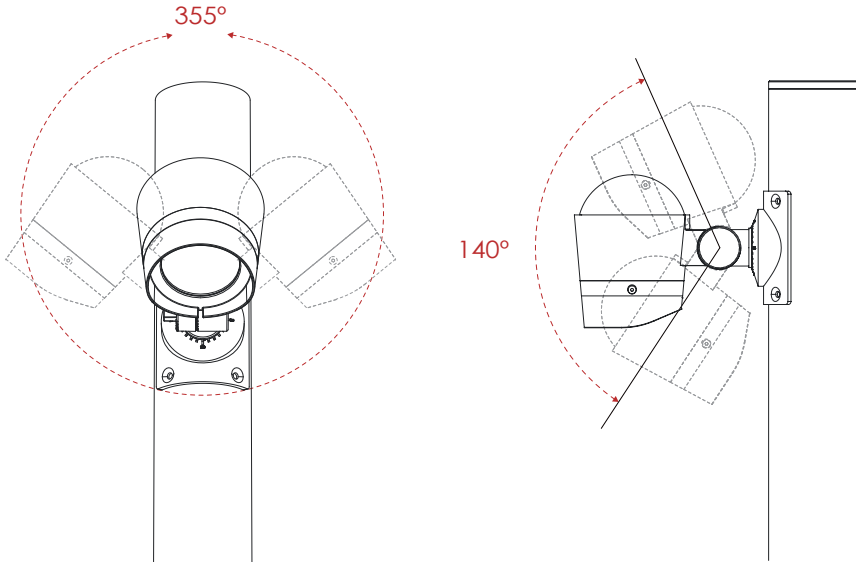
Lux distance Curve

Height (m)	Illuminance at a Distance	
	Center Beam LUX	Beam Width V H
2m	3882.43 LUX	0.7m 0.6m
4m	970.61 LUX	1.3m 1.3m
6m	431.38 LUX	2.0m 1.9m
8m	242.65 LUX	2.6m 2.6m
10m	155.30 LUX	3.3m 3.2m
12m	107.85 LUX	3.9m 3.9m

Vert.Spread:18.5 Horiz.Spread:18.3

# Landscape / Street pole light B9BSC0569 @20wX5

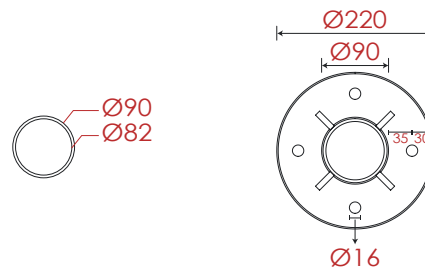
## Adjustable Beam Direction



## Regular Painting Color

Basic		Secondary	
	Sanded Grey KAL 7042		Sanded Black RAL 9005

## Flag Base

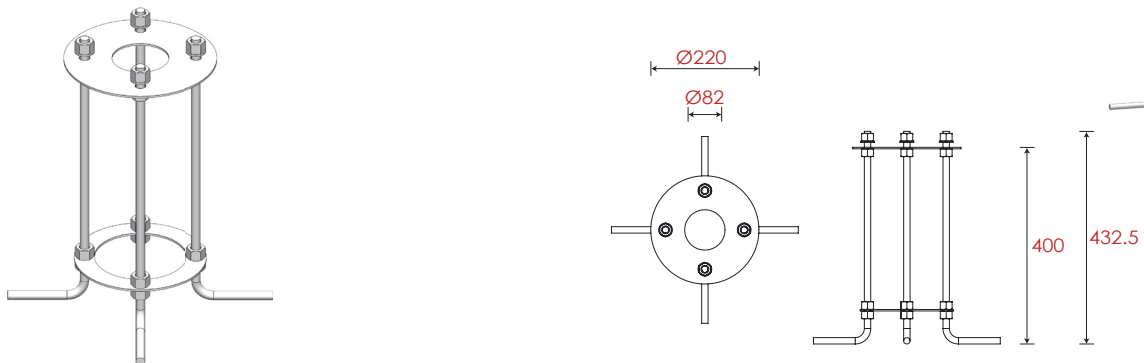


## Pole Dimension & Material

Diameter : Ø90mm  
Height : 3000mm (Customizeable)  
Material : Aluminum

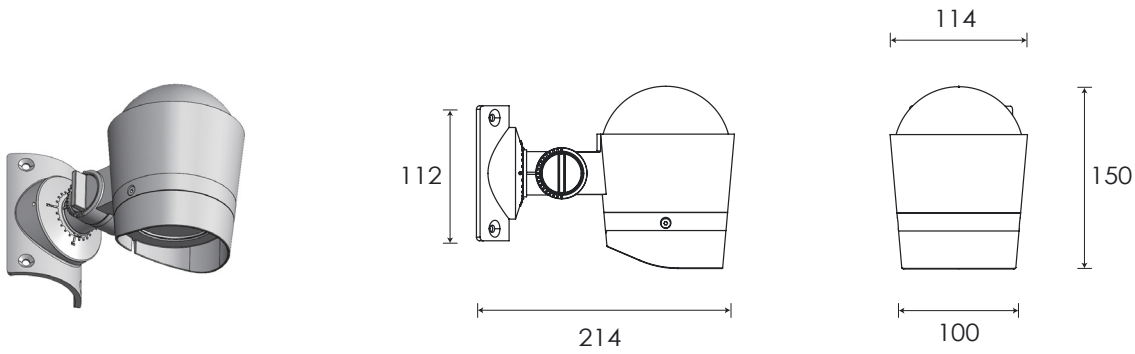
## Accessories

## Base Dimension



Item	Lens	The manufacturer selected lens degree(°)θ1/2	Input voltage(V)	Typical operating current(mA)	Typical consumption(W)	Typical luminance(lm)	IK rate
B9BSC0569	B76	20°	240	240V=40 × 5	20 × 5	1830 × 5	07

# Landscape / Street pole light B9BSR0169




## Specification

<b>Housing</b>	12# Die-Casting aluminum finishing or powder painting T=60-80μm. Adhesion of ISO class 1/ASTM class 4B	<b>LED Driver</b>	Constant Voltage Input, Constant Current Output
<b>Light Window</b>	Tempered Glass, T=3mm	<b>Power Cable</b>	Outside of luminaire 120V/240V: H05RN-F 3×1.0mm <sup>2</sup> , L=4m
<b>Cable Gland</b>	IP68 PG-9 PA66	<b>Dimming Support</b>	TRIAC PWM Available 1-10V Dali Customized
<b>Gasket</b>	Tooling shaped seal	<b>Operating Restrict</b>	Temperature of environment between -20°C~40°C
<b>LED</b>	NICHIA		

## Lens

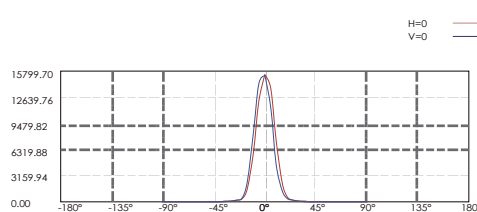
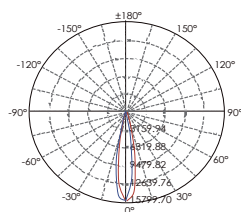
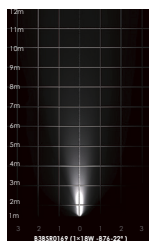
### Regular Painting Color

Basic	Secondary
 Sanded Grey KAL 7042	 Sanded Black RAL 9005

Item Code	Referenced Degree(°)θ1/2			
 B76	15°	20°	35°	50°

Item	Light Source	Lens	The manufacturer selected lens degree(°)θ1/2	Input voltage(V)	Typical operating current(mA)	Typical consumption(W)	Typical luminance(lm)	IK rate
B9BSR0169	18W	B76	20°	240	240V=40	20	1830	07

## Photometric



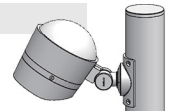
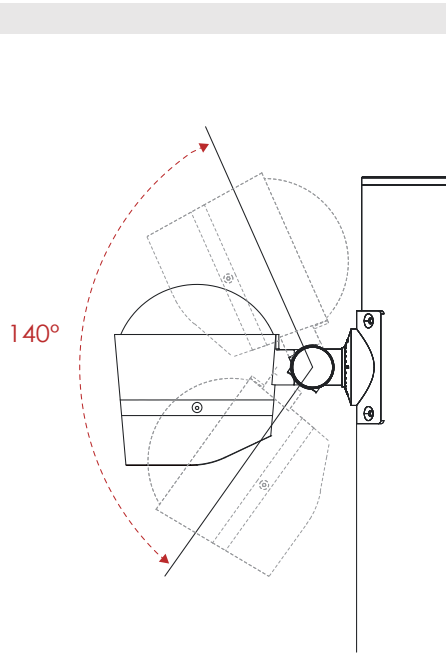
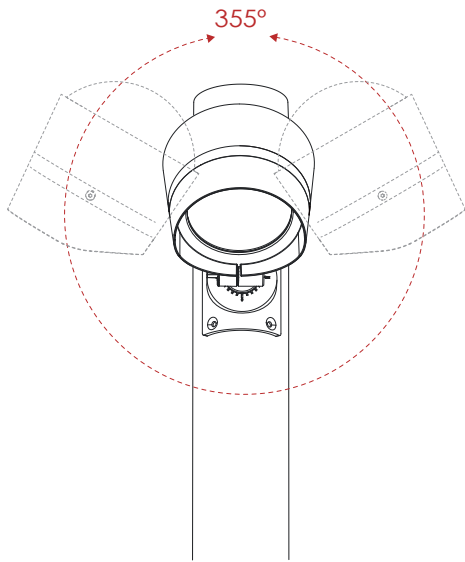
Lux distance Curve

Distance (m)	Illuminance at a Distance	
	Center Beam LUX	Beam Width V H
2m	3882.43 LUX	0.7m 0.6m
4m	970.61 LUX	1.3m 1.3m
6m	431.38 LUX	2.0m 1.9m
8m	242.65 LUX	2.6m 2.6m
10m	155.30 LUX	3.3m 3.2m
12m	107.85 LUX	3.9m 3.9m

Vert.Spread:18.5 Horiz.Spread:18.3

# Landscape / Street pole light B9BTC0173 @30W

## Adjustable Beam Direction



## Regular Painting Color

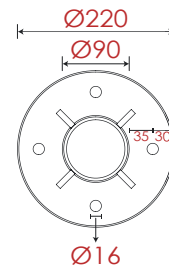
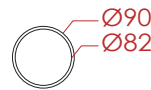
Basic

Sanded Grey  
KAL 7042

Secondary

Sanded Black  
RAL 9005

## Flag Base

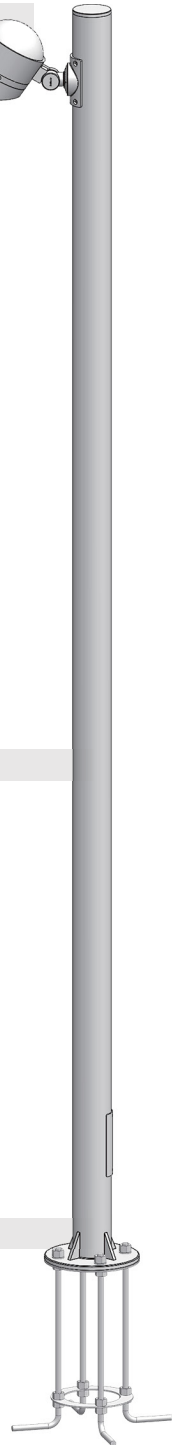
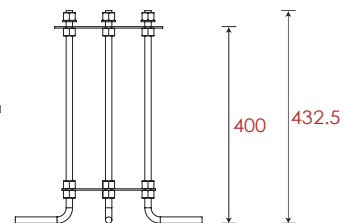
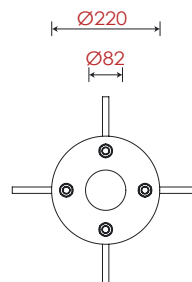
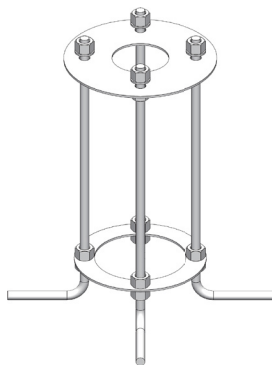


## Pole Dimension & Material

Diameter : Ø90mm  
Height : 3000mm (Customizeable)  
Material : Aluminum

## Accessories

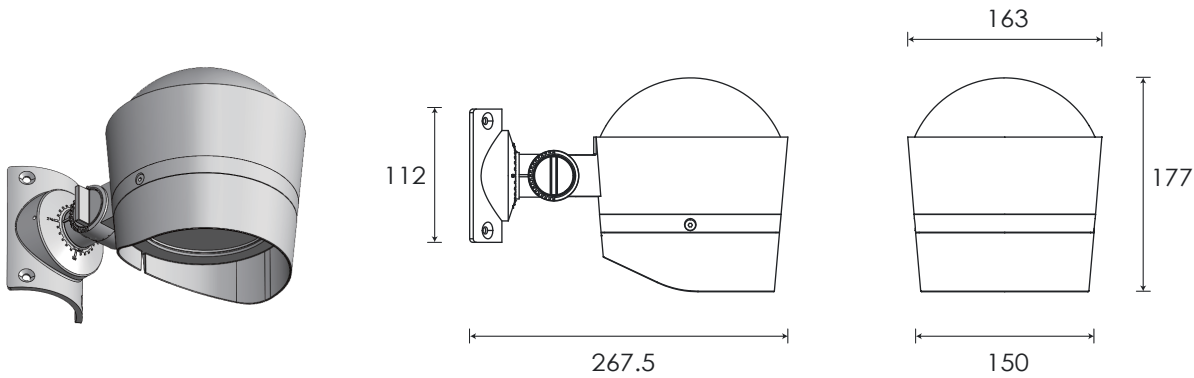
## Base Dimension



Item	Lens	The manufacturer selected lens degree(°)Ø1/2	Input voltage(V)	Typical operating current(mA)	Typical consumption(W)	Typical luminance(lm)	IK rate
B9BTC0173	B57	25°	240	240V=126	30	2657	07 24



# Landscape / Street pole light B9BTC0173




## Specification

<b>Housing</b>	12# Die-Casting aluminum finishing or powder painting T=60-80µm.Adhesion of ISO class 1/ASTM class 4B	<b>LED Driver</b>	Constant Voltage Input, Constant Current Output
<b>Light Window</b>	Tempered Glass.T=3mm	<b>Power Cable</b>	Outside of luminaire 120V/240V: H05RN-F 3×1.0mm², L=4m
<b>Cable Gland</b>	IP68 PG-9 PA66	<b>Dimming Support</b>	TRIAC PWM Available 1-10V Dali Customized
<b>Gasket</b>	Tooling shaped seal	<b>Operating Restrict</b>	Temperature of environment between -20°C~40°C
<b>LED</b>	NICHIA		

## Lens

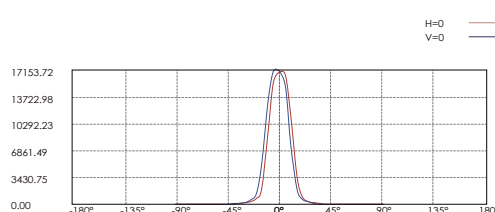
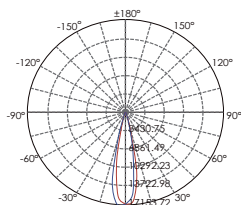
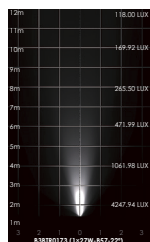
### Regular Painting Color

Basic	Secondary
Sanded Grey KAL 7042	Sanded Black RAL 9005

Item Code	Referenced Degree(°)θ1/2			
 B57	15°	25°	36°	60°

Item	Light Source	Lens	The manufacturer selected lens degree(°)θ1/2	Input voltage(V)	Typical operating current(mA)	Typical consumption(W)	Typical luminance(lm)	IK rate
B9BTR0173	27W	B57	25°	240	240V=126	30	2657	07

## Photometric

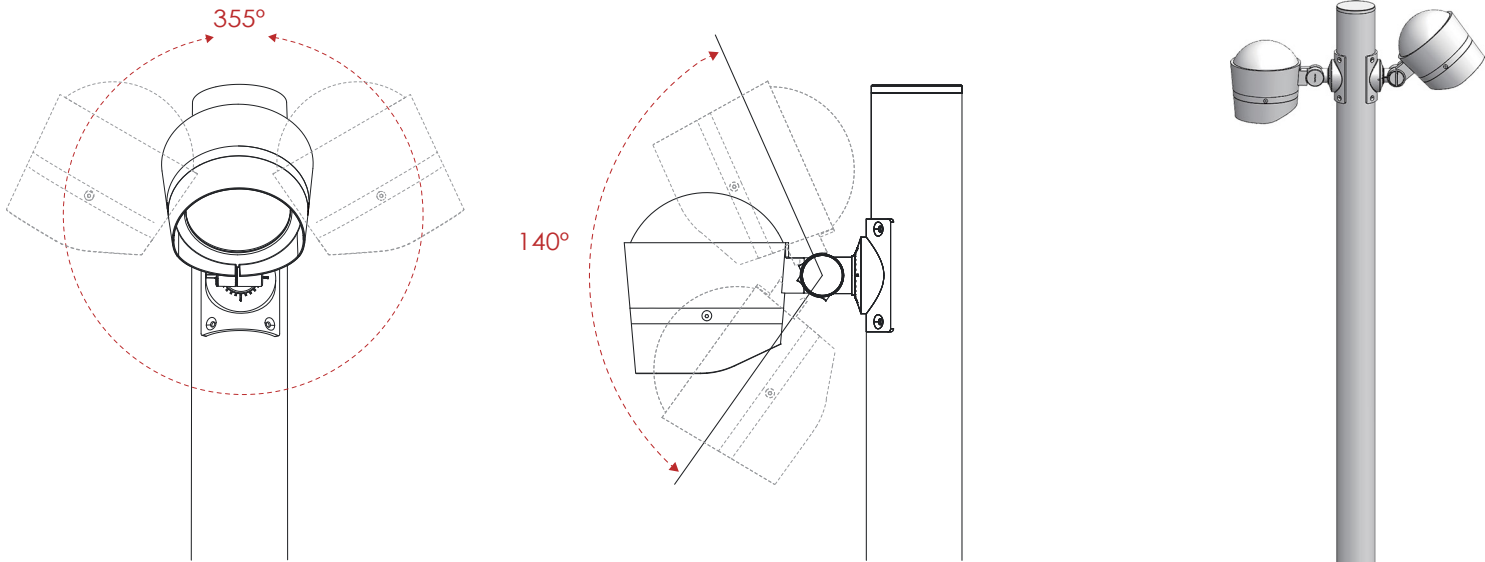


Distance (m)	Illuminance at a Distance	
	Center Beam LUX	Beam Width V x H
2m	4247.94 LUX	0.8m 0.8m
4m	1061.98 LUX	1.6m 1.6m
6m	471.99 LUX	2.3m 2.3m
8m	265.50 LUX	3.1m 3.1m
10m	169.92 LUX	3.9m 3.9m
12m	118.00 LUX	4.7m 4.7m

Vert.Spread:22.1 Horiz.Spread:22.1

# Landscape / Street pole light B9BTC0273 @30Wx2

## Adjustable Beam Direction



## Regular Painting Color

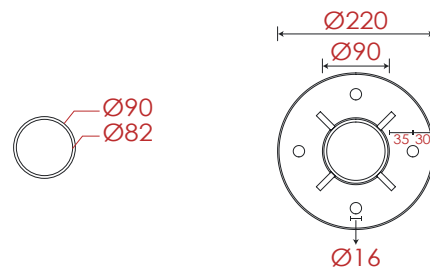
Basic

Sanded Grey  
KAL 7042

Secondary

Sanded Black  
RAL 9005

## Flag Base

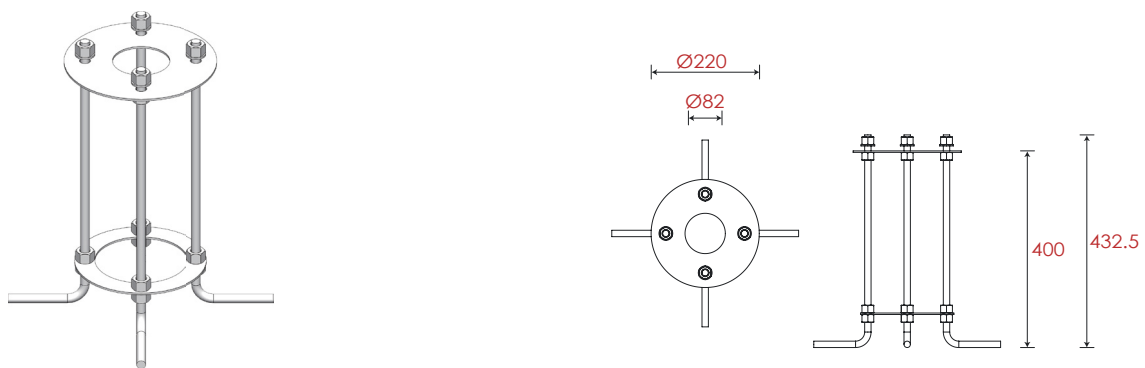


## Pole Dimension & Material

Diameter : Ø90mm  
Height : 3000mm (Customizable)  
Material : Aluminum

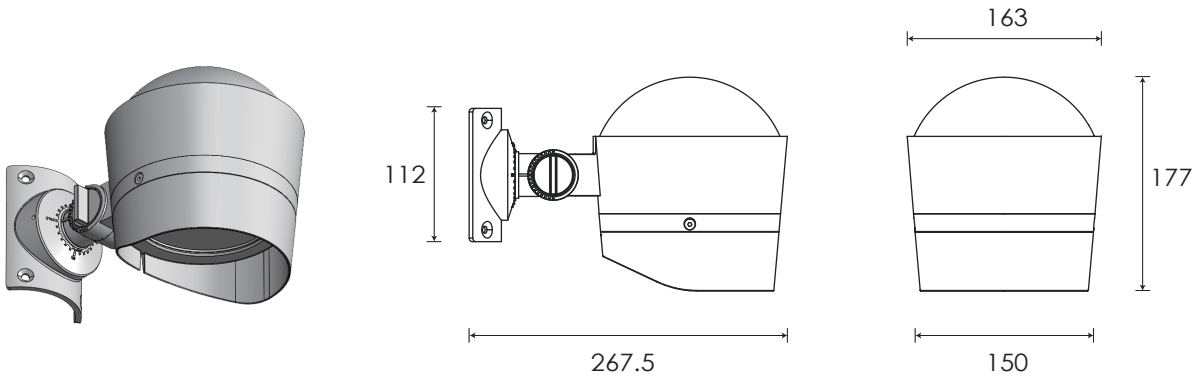
## Accessories

## Base Dimension



Item	Lens	The manufacturer selected lens degree(°)Ø1/2	Input voltage(V)	Typical operating current(mA)	Typical consumption(W)	Typical luminance(lm)	IK rate
B9BTC0273	B57	25°	240	240V=126 × 2	30 × 2	2657 × 2	07 26

# Landscape / Street pole light B9BTR0173




## Specification

<b>Housing</b>	12# Die-Casting aluminum finishing or powder painting T=60-80μm. Adhesion of ISO class 1/ASTM class 4B	<b>LED Driver</b>	Constant Voltage Input, Constant Current Output
<b>Light Window</b>	Tempered Glass, T=3mm	<b>Power Cable</b>	Outside of luminaire 120V/240V: H05RN-F 3×1.0mm <sup>2</sup> , L=4m
<b>Cable Gland</b>	IP68 PG-9 PA66	<b>Dimming Support</b>	TRIAC PWM Available 1-10V Dali Customized
<b>Gasket</b>	Tooling shaped seal	<b>Operating Restrict</b>	Temperature of environment between -20°C~40°C
<b>LED</b>	NICHIA		

## Lens

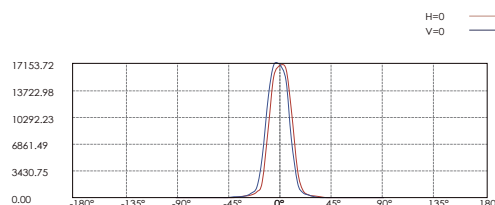
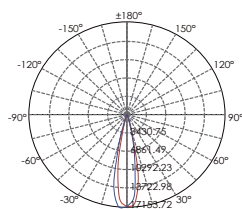
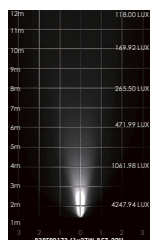
### Regular Painting Color

<b>Basic</b>	<b>Secondary</b>
 Sanded Grey KAL 7042	 Sanded Black RAL 9005

Item Code	Referenced Degree(°)θ1/2			
 B57	15°	25°	36°	60°

Item	Light Source	Lens	The manufacturer selected lens degree(°)θ1/2	Input voltage(V)	Typical operating current(mA)	Typical consumption(W)	Typical luminance(lm)	IK rate
B9BTR0173	27W	B57	25°	240	240V=126	30	2657	07

## Photometric

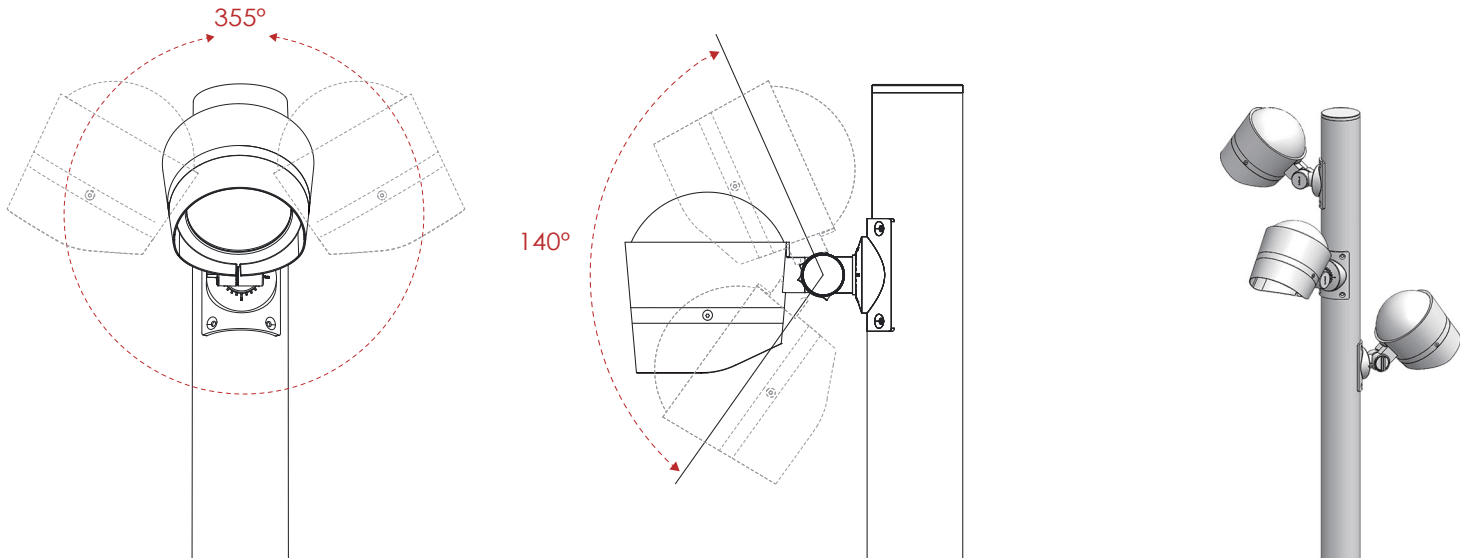


Distance (m)	Illuminance at a Distance	
	Center Beam LUX	Beam Width V x H
2m	4247.94 LUX	0.8m x 0.8m
4m	1061.98 LUX	1.6m x 1.6m
6m	471.99 LUX	2.3m x 2.3m
8m	265.50 LUX	3.1m x 3.1m
10m	169.92 LUX	3.9m x 3.9m
12m	118.00 LUX	4.7m x 4.7m

Vert. Spread: 22.1      Horiz. Spread: 22.1

# Landscape / Street pole light B9BTC0373 @30Wx3

## Adjustable Beam Direction



## B9BTC0373 @30Wx3

### Regular Painting Color

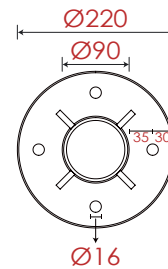
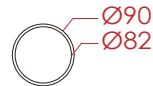
Basic

Sanded Grey  
KAL 7042

Secondary

Sanded Black  
RAL 9005

### Flag Base

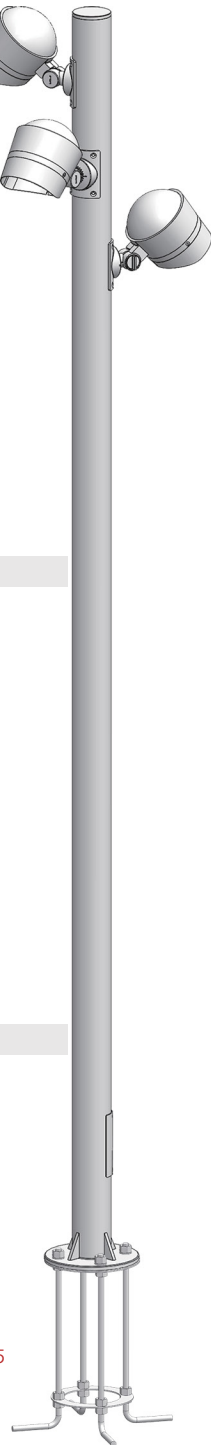
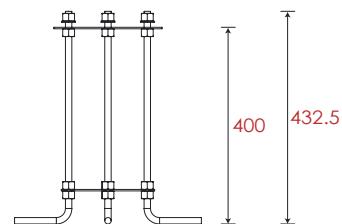
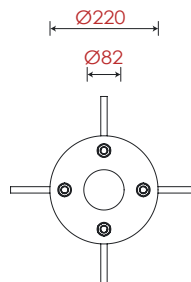
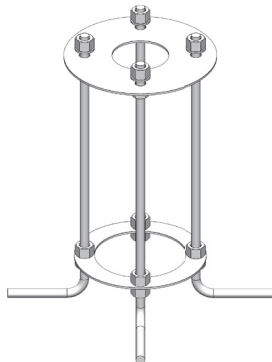


### Pole Dimension & Material

Diameter : Ø90mm  
Height : 3000mm (Customizeable)  
Material : Aluminum

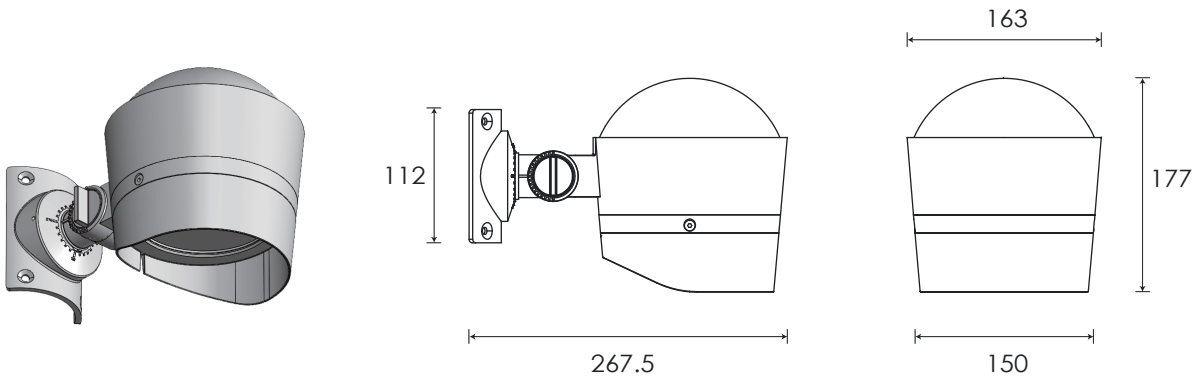
### Accessories

### Base Dimension



Item	Lens	The manufacturer selected lens degree(°)Ø1/2	Input voltage(V)	Typical operating current(mA)	Typical consumption(W)	Typical luminance(lm)	IK rate
B9BTC0373	B57	25°	240	240V=126 × 3	30 × 3	2657 × 3	07

# Landscape / Street pole light B9BTR0173



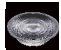
## Specification

<b>Housing</b>	12# Die-Casting aluminum finishing or powder painting T=60-80µm.Adhesion of ISO class 1/ASTM class 4B	<b>LED Driver</b>	Constant Voltage Input, Constant Current Output
<b>Light Window</b>	Tempered Glass.T=3mm	<b>Power Cable</b>	Outside of luminaire 120V/240V: H05RN-F 3×1.0mm², L=4m
<b>Cable Gland</b>	IP68 PG-9 PA66	<b>Dimming Support</b>	TRIAC PWM Available 1-10V Dali Customized
<b>Gasket</b>	Tooling shaped seal	<b>Operating Restrict</b>	Temperature of environment between -20°C~40°C
<b>LED</b>	NICHIA		

## Lens

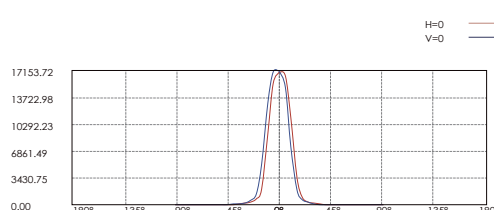
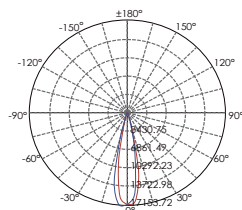
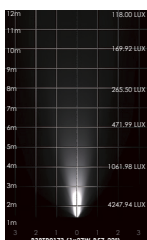
### Regular Painting Color

Basic	Secondary
 Sanded Grey KAL 7042	 Sanded Black RAL 9005

Item Code	Referenced Degree(°)θ1/2			
 B57	15°	25°	36°	60°

Item	Light Source	Lens	The manufacturer selected lens degree(°)θ1/2	Input voltage(V)	Typical operating current(mA)	Typical consumption(W)	Typical luminance(lm)	IK rate
B9BTR0173	27W	B57	25°	240	240V=126	30	2657	07

## Photometric

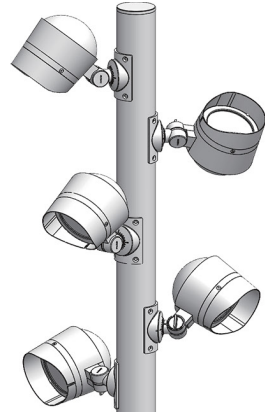
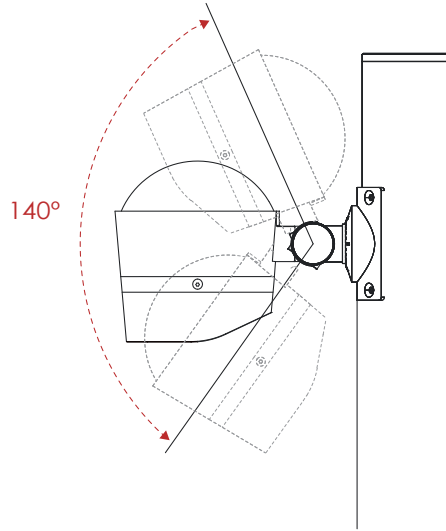
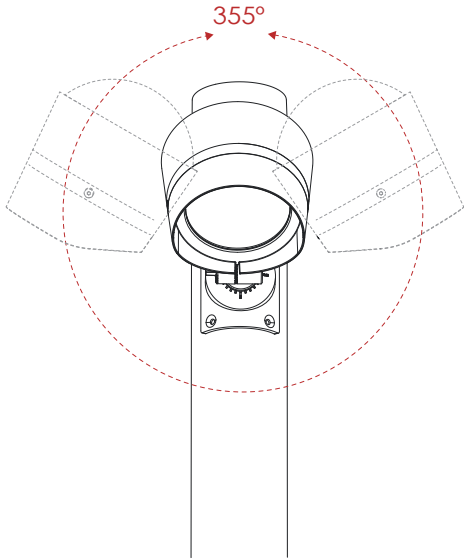


Distance (m)	Illuminance at a Distance		Beam Width	
	Center Beam LUX	V	H	H
2m	4247.94 LUX	0.8m	0.8m	
4m	1061.98 LUX	1.6m	1.6m	
6m	471.99 LUX	2.3m	2.3m	
8m	265.50 LUX	3.1m	3.1m	
10m	169.92 LUX	3.9m	3.9m	
12m	118.00 LUX	4.7m	4.7m	

Vert.Spread:22.1 Horiz.Spread:22.1

# Landscape / Street pole light B9BTC0573 @30Wx5

## Adjustable Beam Direction



## Regular Painting Color

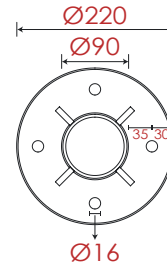
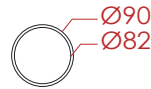
Basic

Sanded Grey  
RAL 7042

Secondary

Sanded Black  
RAL 9005

## Flag Base

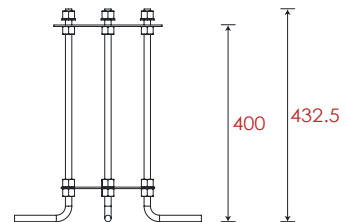
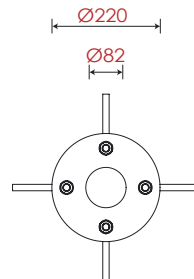
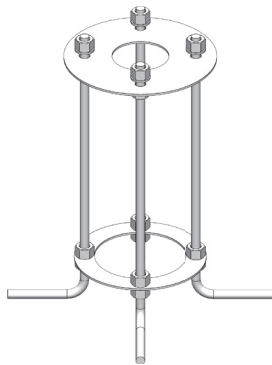


## Pole Dimension & Material

Diameter : Ø90mm  
Height : 3000mm (Customizeable)  
Material : Aluminum

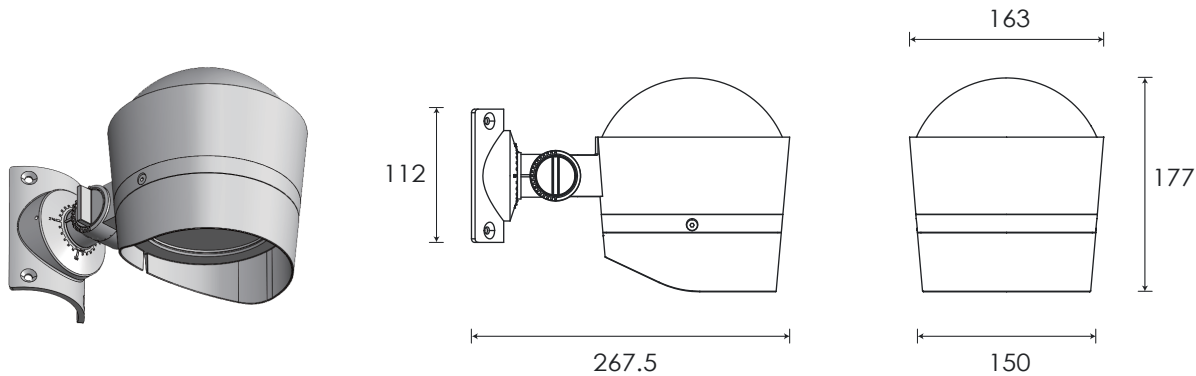
## Accessories

## Base Dimension



Item	Lens	The manufacturer selected lens degree(°)Ø1/2	Input voltage(V)	Typical operating current(mA)	Typical consumption(W)	Typical luminance(lm)	IK rate
B9BTC0573	B57	25°	240	240V=126 × 5	30 × 5	2657 × 5	07 30

# Landscape / Street pole light B9BTR0173



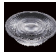
## Specification

<b>Housing</b>	12# Die-Casting aluminum finishing or powder painting T=60-80µm. Adhesion of ISO class 1/ASTM class 4B	<b>LED Driver</b>	Constant Voltage Input, Constant Current Output
<b>Light Window</b>	Tempered Glass. T=3mm	<b>Power Cable</b>	Outside of luminaire 120V/240V: H05RN-F 3×1.0mm <sup>2</sup> , L=4m
<b>Cable Gland</b>	IP68 PG-9 PA66	<b>Dimming Support</b>	TRIAC PWM Available 1-10V Dali Customized
<b>Gasket</b>	Tooling shaped seal	<b>Operating Restrict</b>	Temperature of environment between -20°C~40°C
<b>LED</b>	NICHIA		

## Regular Painting Color

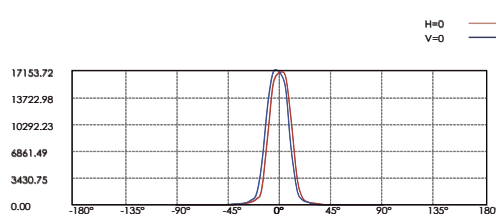
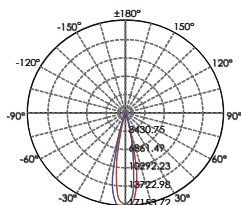
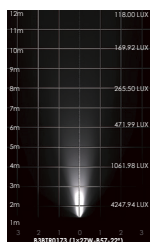
Basic	Secondary
Sanded Grey KAL 7042	Sanded Black RAL 9005

## Lens

Item Code	Referenced Degree(°)θ1/2			
 B57	15°	25°	36°	60°

Item	Light Source	Lens	The manufacturer selected lens degree(°)θ1/2	Input voltage(V)	Typical operating current(mA)	Typical consumption(W)	Typical luminance(lm)	IK rate
B9BTR0173	27W	B57	25°	240	240V=126	30	2657	07

## Photometric

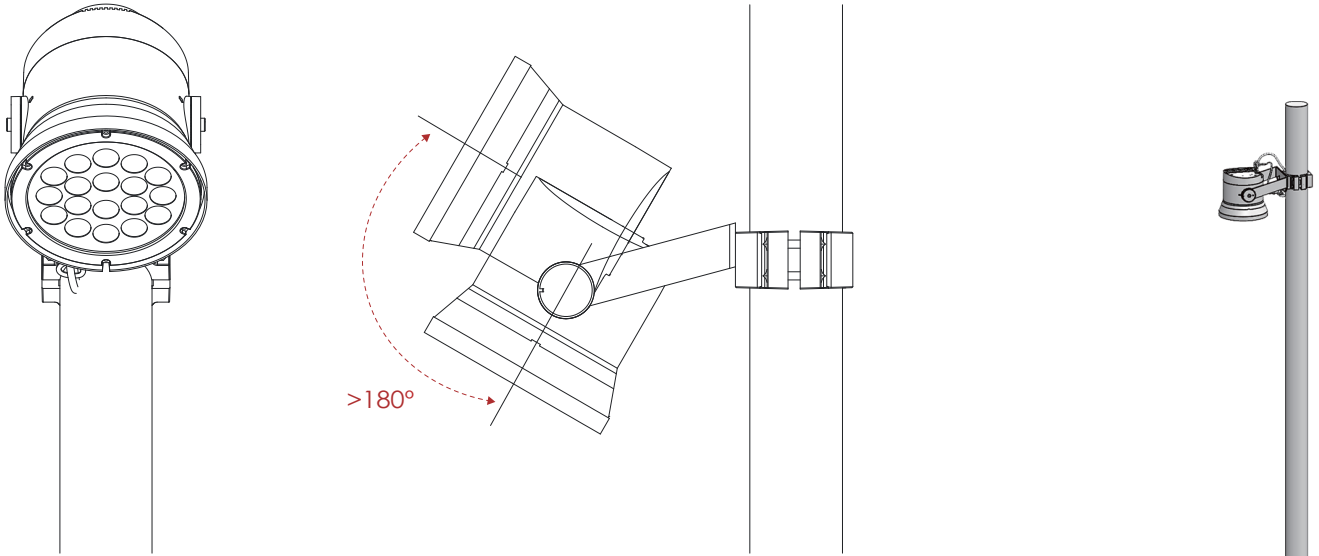


Distance (m)	Illuminance at a Distance	
	Center Beam LUX	Beam Width V x H
2m	4247.94 LUX	0.8m x 0.8m
4m	1061.98 LUX	1.6m x 1.6m
6m	471.99 LUX	2.3m x 2.3m
8m	265.50 LUX	3.1m x 3.1m
10m	169.92 LUX	3.9m x 3.9m
12m	118.00 LUX	4.7m x 4.7m

Vert. Spread: 22.1 Horiz. Spread: 22.1

# Landscape / Street pole light B9CQU-1-1 @90W

## Adjustable Beam Direction



## Regular Painting Color

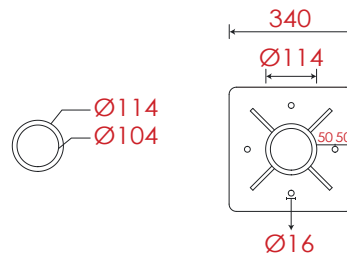
Basic

Sanded Grey  
KAL 7042

Secondary

Sanded Black  
RAL 9005

## Flag Base

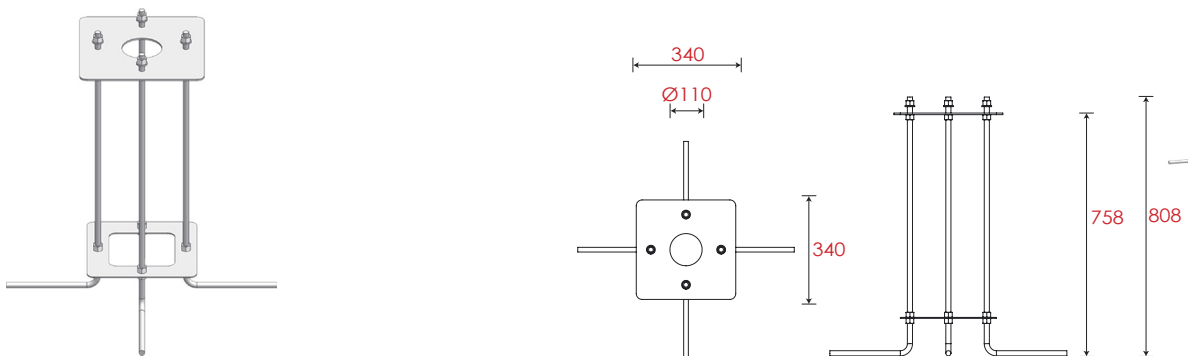


## Pole Dimension & Material

Diameter : Ø114mm  
Height : 6000mm (Customizeable)  
Material : Aluminum

## Accessories

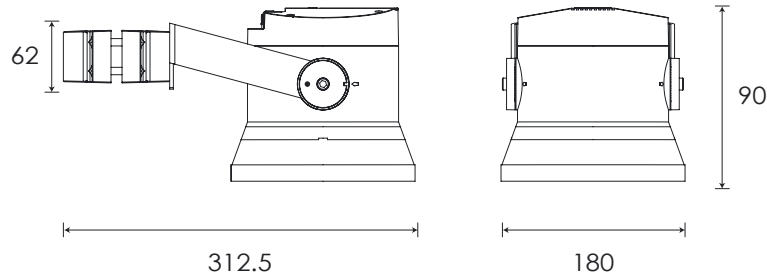
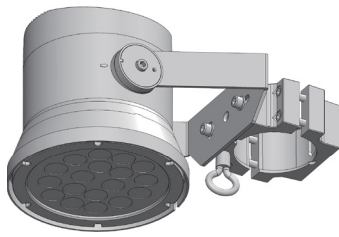
### Base Dimension



Item	Light Source	Input voltage(V)	Typical operating current(mA)	Typical consumption(W)	Typical luminance(lm)	IK rate
B9CQU-1-1	18x4.5W	240	385	90	7771	07



# Landscape / Street pole light B9CQU1865




## Specification

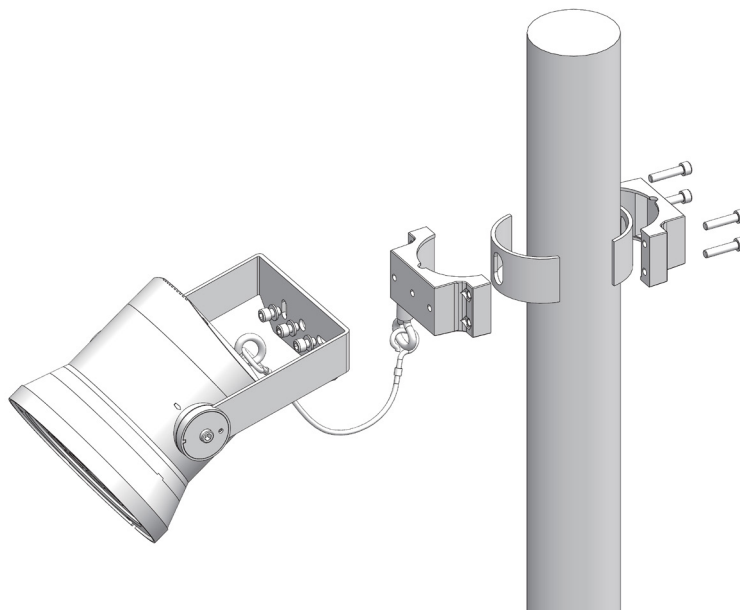
<b>Housing</b>	2# Die-casting aluminum finishing or powder painting T=60-80μm. Adhesion of ISO class 1/ASTM class 4B
<b>Light Window</b>	Tempered glass.T=3mm
<b>LED Driver</b>	Constant Voltage Input, Constant Current Output
<b>LED</b>	NICHIA
<b>Cable Gland</b>	IP68 PG-11 PA66

<b>Power Cable</b>	Outside of luminaire 12V/24V: H07RN-F 2×1.0mm <sup>2</sup> , L=2.0m 120V/240V: H07RN-F 3×1.0mm <sup>2</sup> , L=2.0m
<b>Gasket</b>	Tooling shaped seal
<b>Bracket</b>	Iron powder coated. T=2.5mm: B3CPU0125 T=4.5mm: B3CQU1856 T=5mm: B2CRU2465

## Regular Painting Color

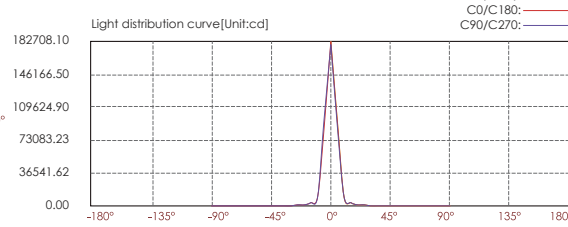
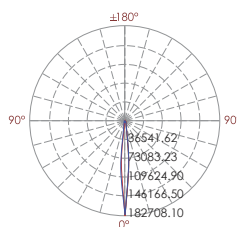
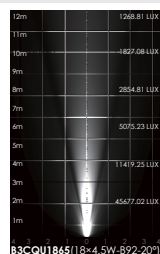
Basic	Sanded Grey KAL 7042	Secondary	Sanded Black RAL 9005
-------	-------------------------	-----------	--------------------------

Item Code	Referenced Degree(°)θ1/2				
 B92	8°	15°	20°	30°	50°



Item	Light Source	Input voltage(V)	Typical operating current(mA)	Typical consumption(W)	Typical luminance(lm)	IK rate
B9CQU1865	18x4.5W	240	385	90	7771	07

## Photometric

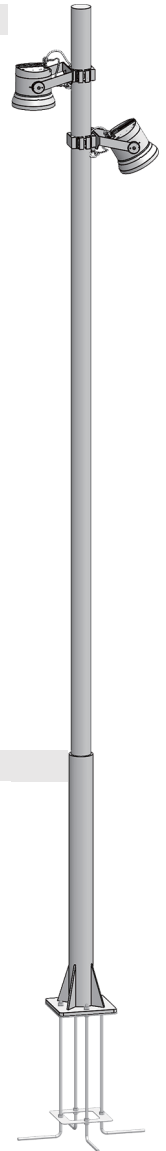
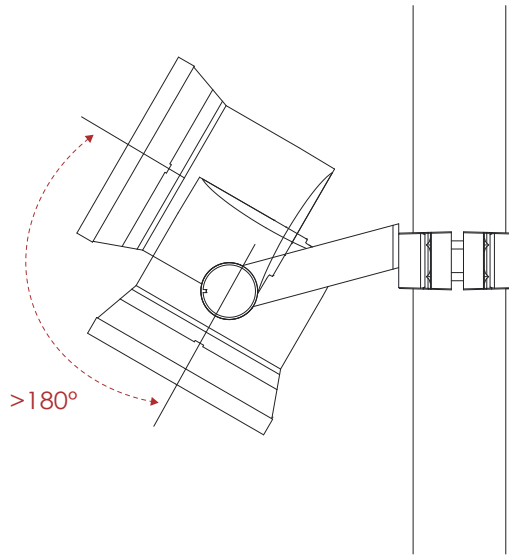
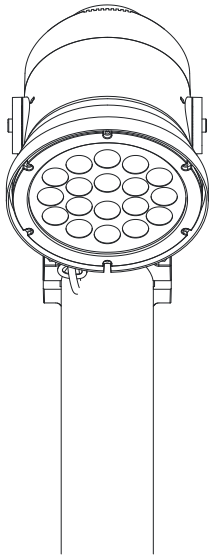


Illuminance at a distance	
Center beam LUX	Beam width V H
2m 182708.10 LUX	0.3m 0.3m
4m 45677.02 LUX	0.7m 0.7m
6m 18270.81 LUX	1.0m 1.0m
8m 9135.41 LUX	1.3m 1.4m
10m 4567.70 LUX	1.7m 1.7m
12m 2283.85 LUX	2.0m 2.0m

Ver.Spread:9.7 Horiz.Spread:9.4

# Landscape / Street pole light B9CQU-2-2 @90Wx2

Adjustable Beam Direction

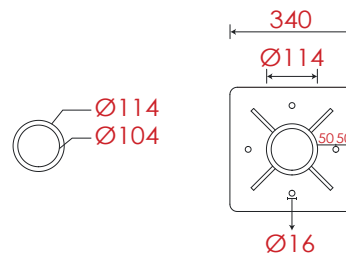


## B9CQU-2-1 @90Wx2

### Regular Painting Color

Basic	Secondary
Sanded Grey KAL 7042	Sanded Black RAL 9005

### Flag Base

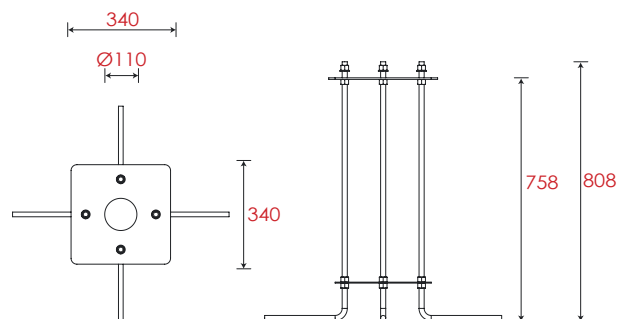
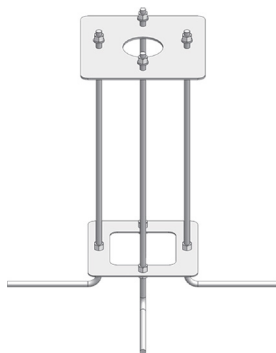


### Pole Dimension & Material

Diameter : Ø114mm  
Height : 6000mm (Customizeable)  
Material : Aluminum

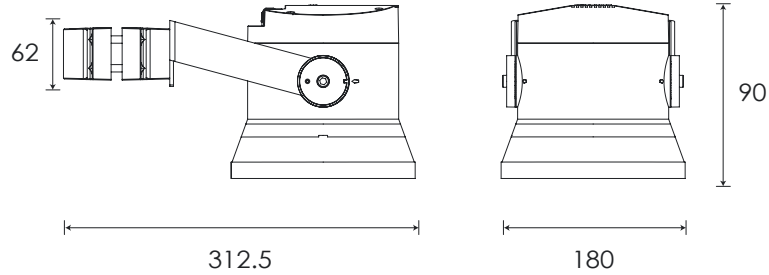
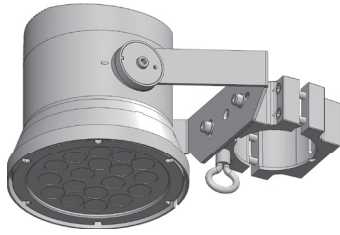
### Accessories

#### Base Dimension



Item	Light Source	Input voltage(V)	Typical operating current(mA)	Typical consumption(W)	Typical luminance(lm)	IK rate
B9CQU-2-1	18x4.5W	240	385 x 2	90 x 2	7771 x 2	07

# Landscape / Street pole light B9CQU1865



## Specification

**Housing** 2# Die-casting aluminum finishing or powder painting  
T=60-80μm. Adhesion of ISO class 1/ASTM class 4B

**Light Window** Tempered glass.T=3mm

**LED Driver** Constant Voltage Input, Constant Current Output

**LED** NICHIA


**Cable Gland** IP68 PG-11 PA66

**Power Cable** Outside of luminaire  
12V/24V: H07RN-F 2×1.0mm<sup>2</sup>, L=2.0m  
120V/240V: H07RN-F 3×1.0mm<sup>2</sup>, L=2.0m

**Gasket** Tooling shaped seal

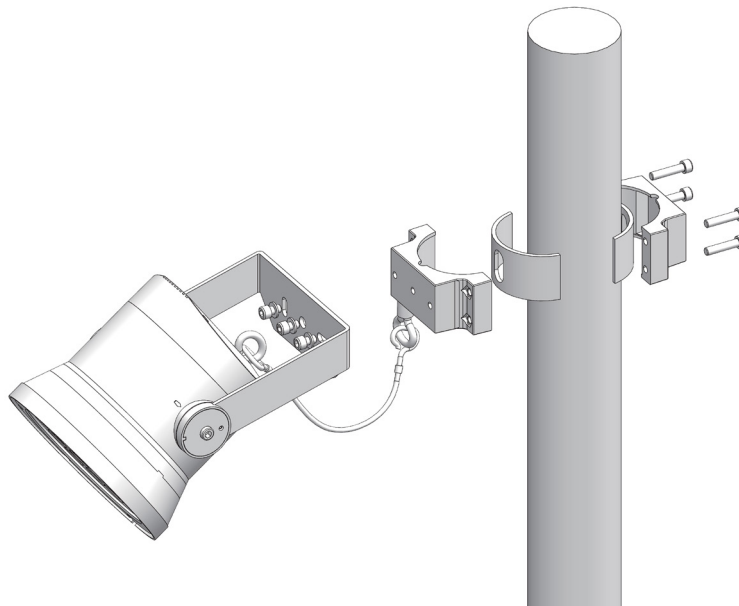
**Bracket** Iron powder coated.  
T=2.5mm: B3CPU0125  
T=4.5mm: B3CQU1856  
T=5mm: B2CRU2465

## Lens

Item Code	Referenced Degree(°)θ1/2				
 B92	8°	15°	20°	30°	50°

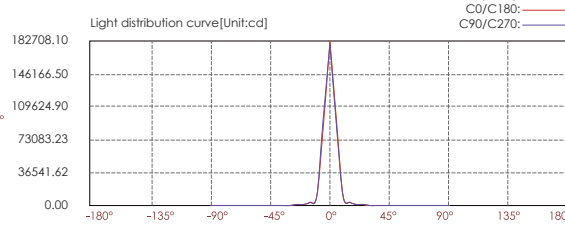
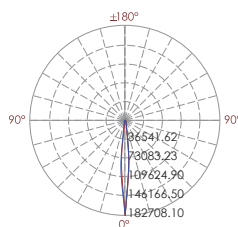
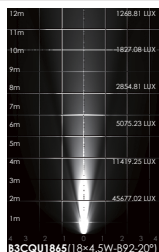
## Regular Painting Color

Basic	Secondary
 Sanded Grey KAL 7042	 Sanded Black RAL 9005



Item	Light Source	Input voltage(V)	Typical operating current(mA)	Typical consumption(W)	Typical luminance(lm)	IK rate
B9CQU1865	18x4.5W	240	385	90	7771	07

## Photometric



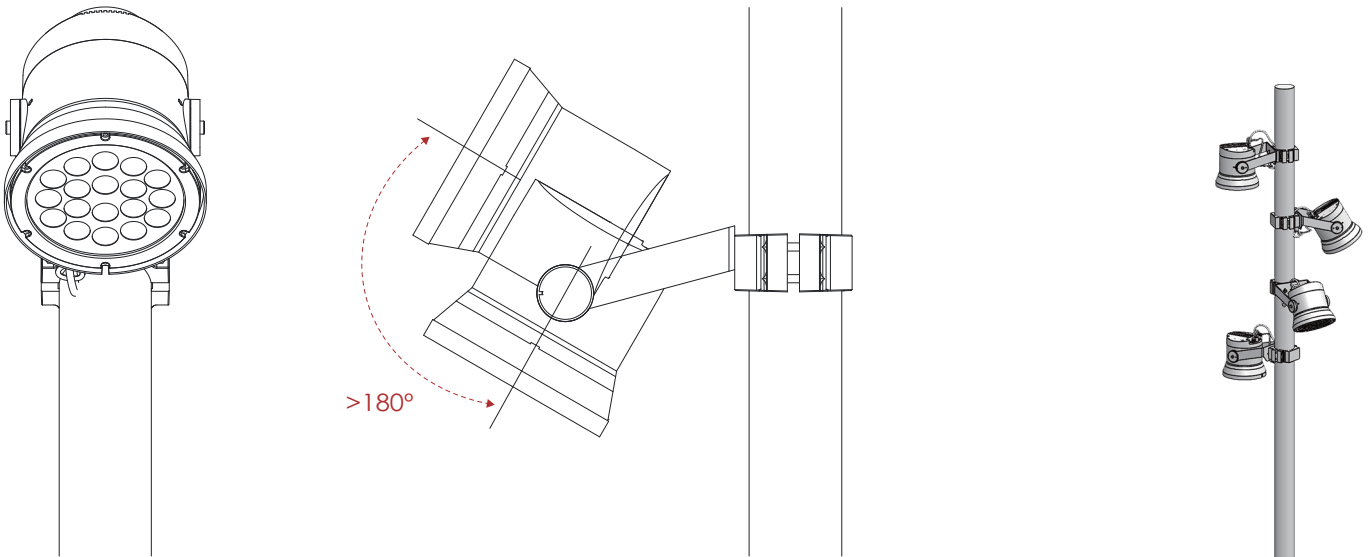
Lux distance cure

Distance (m)	Center beam LUX	Beam width V	Beam width H
2m	45677.02 LUX	0.3m	0.3m
4m	11419.25 LUX	0.7m	0.7m
6m	5075.23 LUX	1.0m	1.0m
8m	2854.81 LUX	1.3m	1.4m
10m	1827.08 LUX	1.7m	1.7m
12m	1268.81 LUX	2.0m	2.0m

Ver.Spread:9.7 Horiz.Spread:9.4

# Landscape / Street pole light B9CQU-4-1 @90Wx4

## Adjustable Beam Direction



## Regular Painting Color

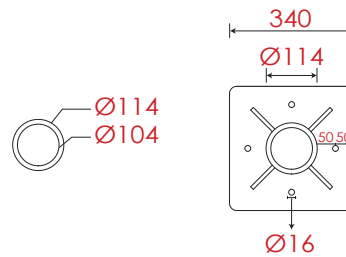
Basic

Sanded Grey  
KAL 7042

Secondary

Sanded Black  
RAL 9005

## Flag Base

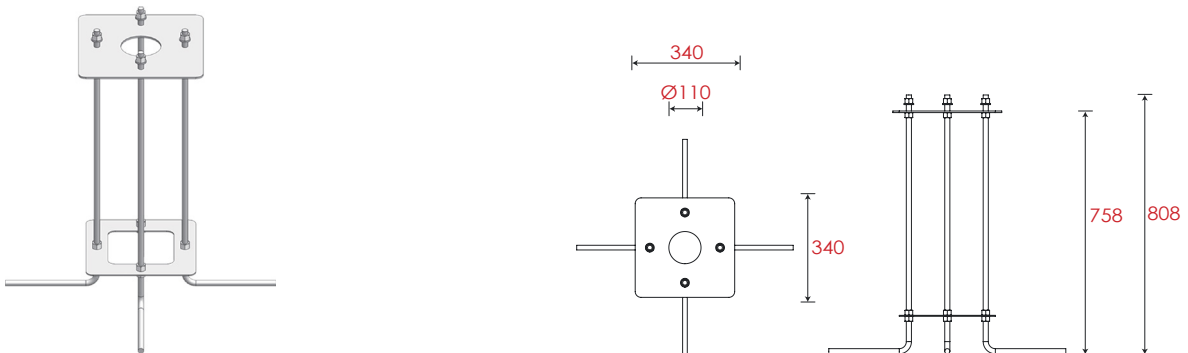


## Pole Dimension & Material

Diameter :  $\varnothing 114\text{mm}$   
Height : 6000mm (Customizeable)  
Material : Aluminum

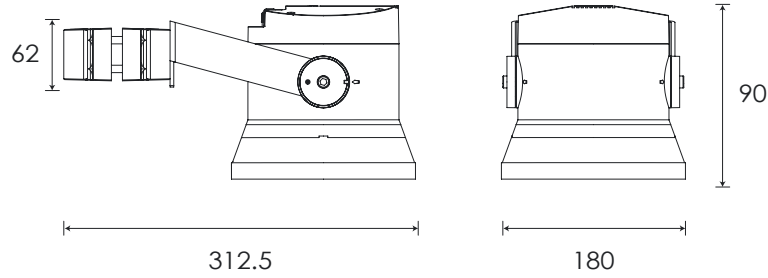
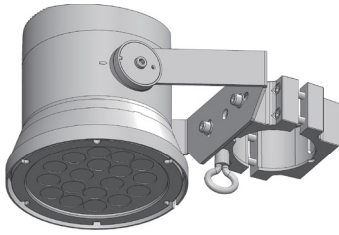
## Accessories

## Base Dimension



Item	Light Source	Input voltage(V)	Typical operating current(mA)	Typical consumption(W)	Typical luminance(lm)	IK rate
B9CQU-4-1	18x4.5W	240	385 x 4	90 x 4	7771 x 4	07

# Landscape / Street pole light B9CQU1865



## Specification

<b>Housing</b>	2# Die-casting aluminum finishing or powder painting T=60-80μm. Adhesion of ISO class 1/ASTM class 4B
<b>Light Window</b>	Tempered glass.T=3mm
<b>LED Driver</b>	Constant Voltage Input, Constant Current Output
<b>LED</b>	NICHIA
<b>Cable Gland</b>	IP68 PG-11 PA66

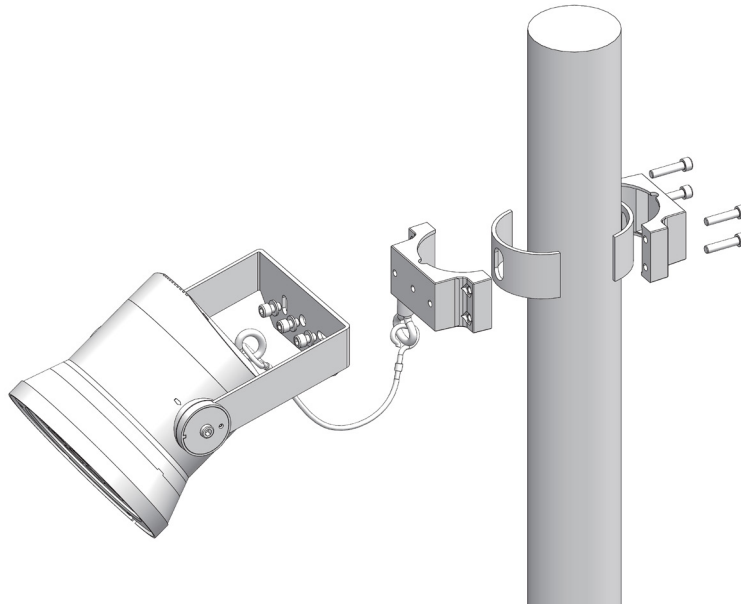
<b>Power Cable</b>	Outside of luminaire 12V/24V: H07RN-F 2×1.0mm <sup>2</sup> , L=2.0m 120V/240V: H07RN-F 3×1.0mm <sup>2</sup> , L=2.0m
<b>Gasket</b>	Tooling shaped seal
<b>Bracket</b>	Iron powder coated. T=2.5mm: B3CPU0125 T=4.5mm: B3CQU1856 T=5mm: B2CRU2465

## Regular Painting Color

<b>Basic</b>	<b>Secondary</b>
Sanded Grey KAL 7042	Sanded Black

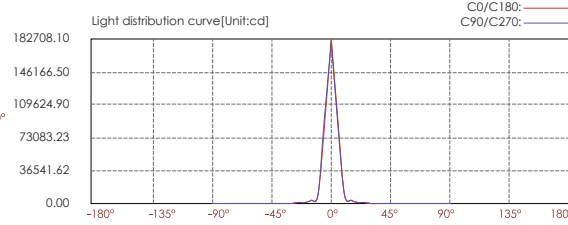
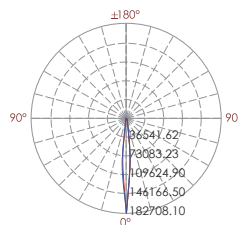
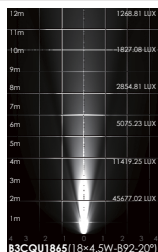
## Lens

Item Code	Referenced Degree(°)θ1/2				
B92	8°	15°	20°	30°	50°



Item	Light Source	Input voltage(V)	Typical operating current(mA)	Typical consumption(W)	Typical luminance(lm)	IK rate
B9CQU1865	18x4.5W	240	385	90	7771	07

## Photometric

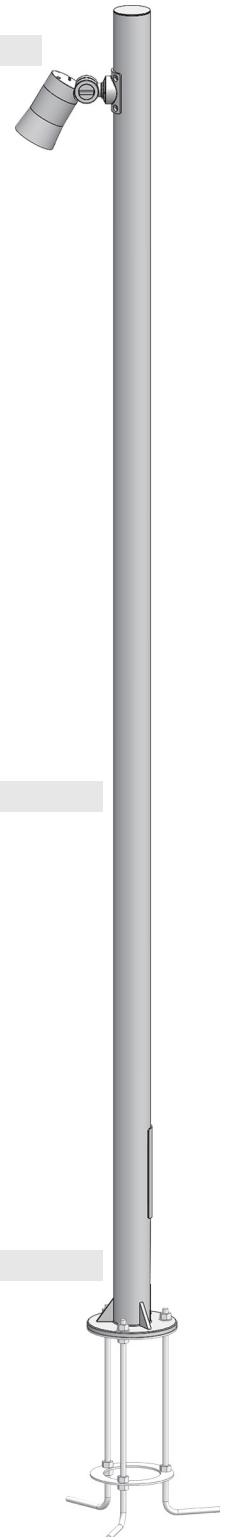
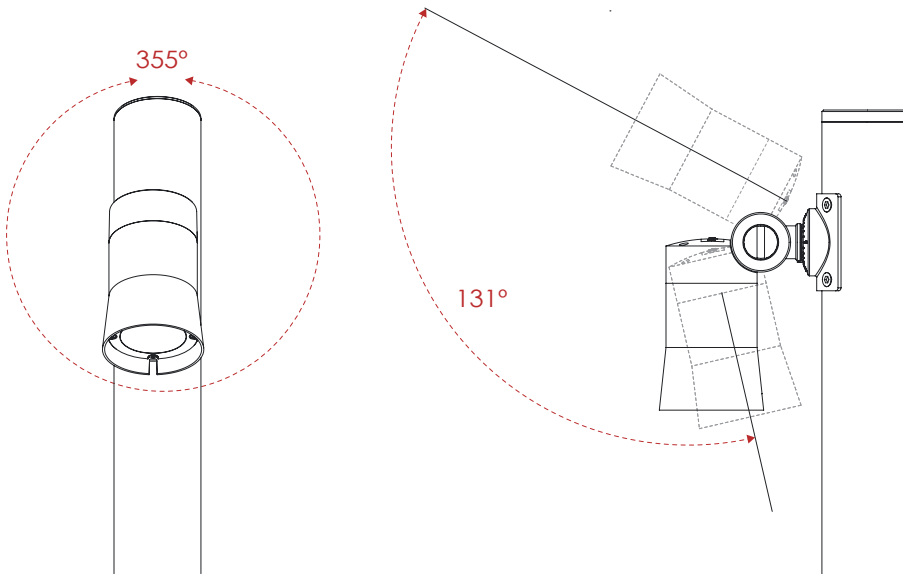


Distance (m)	Illuminance at a distance		Beam width	
	Center beam LUX	Beam width V	H	H
2m	45677.02 LUX	0.3m	0.3m	
4m	11419.25 LUX	0.7m	0.7m	
6m	5075.23 LUX	1.0m	1.0m	
8m	2854.81 LUX	1.3m	1.4m	
10m	1827.08 LUX	1.7m	1.7m	
12m	1268.81 LUX	2.0m	2.0m	

Ver.Spread:9.7 Horiz.Spread:9.4

# Landscape / Street pole light B9CSR0126 @9W

## Adjustable Beam Direction



## Regular Painting Color

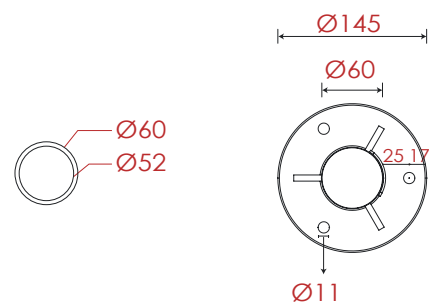
Basic

Sanded Grey  
KAL 7042

Secondary

Sanded Black  
RAL 9005

## Flag Base

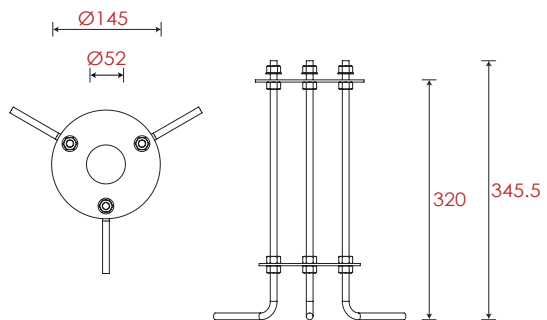
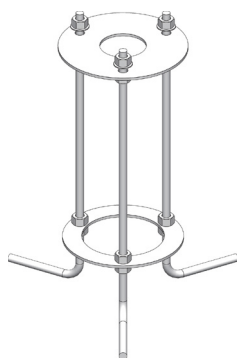


## Pole Dimension

Diameter : Ø60mm  
Height : 2200mm (Customizeable)  
Material : Aluminum

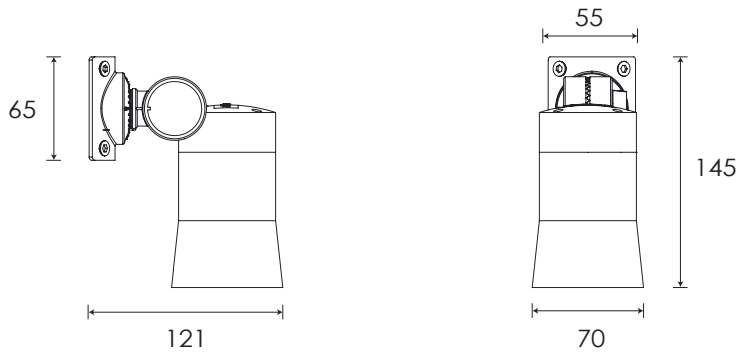
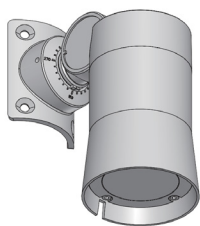
## Accessories

## Base Dimension



Item	Lens	The manufacturer selected lens degree(°)Ø1/2	Input voltage(V)	Typical operating current(mA)	Typical consumption(W)	Typical luminance(lm)	IK rate
B9CSR0126	B71	24°	120 / 240	120V=117 240V=67	9	838	07

# Landscape / Street pole light B9CSR0126



## Specification

<b>Housing</b>	12# Die-Casting aluminum finishing or powder painting T=60-80μm. Adhesion of ISO class 1/ASTM class 4B	<b>LED Driver</b>	Constant Voltage Input, Constant Current Output
<b>Light Window</b>	Tempered Glass.T=3mm	<b>Power Cable</b>	Outside of luminaire 120V/240V: H05RN-F 3×1.0mm <sup>2</sup> , L=3m
<b>Cable Gland</b>	IP68 PG-9 PA66	<b>Dimming Support</b>	TRIAC PWM Available 1-10V Dali Customized
<b>Gasket</b>	Tooling shaped seal	<b>Operating Restrict</b>	Temperature of environment between -20°C~40°C
<b>LED</b>	NICHIA		

## Lens

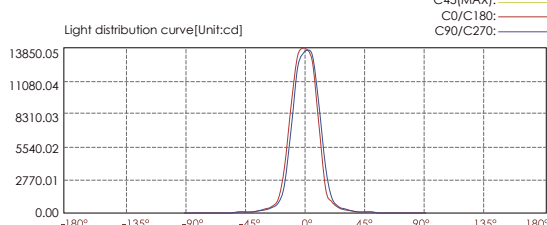
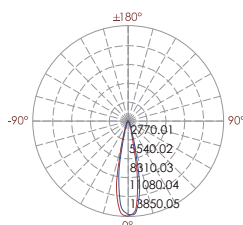
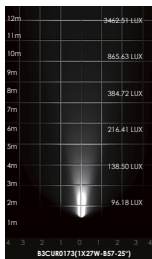
### Regular Painting Color

Basic	Secondary
Sanded Grey KAL 7042	Sanded Black RAL 9005

Item Code	Referenced Degree(°)θ1/2				
B71	15°	24°	33°	45°	60°

Item	Light Source	Lens	The manufacturer selected lens degree(°)θ1/2	Input voltage(V)	Typical operating current(mA)	Typical consumption(W)	Typical luminance(lm)	IK rate
B9CSR0126	7W	B71	24°	120 / 240	120V=117 240V=67	9	838	07

## Photometric

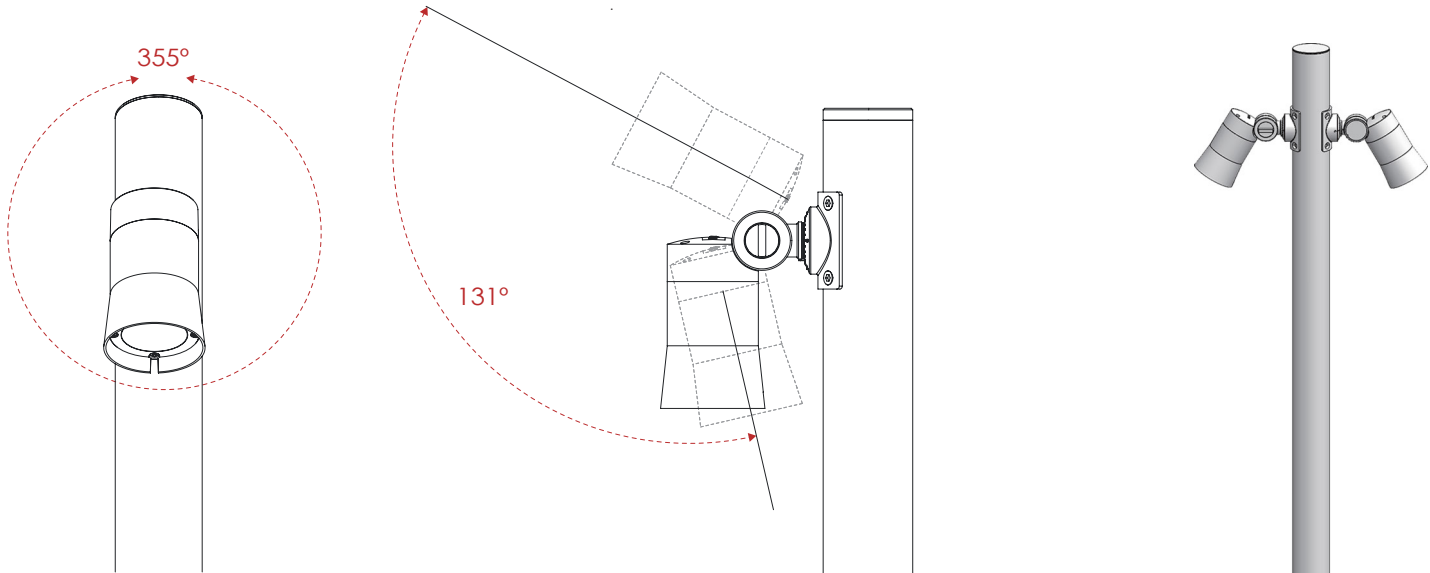


Distance (m)	Center beam LUX	Beam width (V)	Beam width (H)
2m	3462.51 LUX	0.8m	0.8m
4m	865.63 LUX	1.6m	1.6m
6m	384.72 LUX	2.5m	2.4m
8m	216.41 LUX	3.3m	3.3m
10m	138.50 LUX	4.1m	4.1m
12m	96.18 LUX	4.9m	4.9m

Ver.Spread:23.3 Horiz.Spread:23

# Landscape / Street pole light B9CSC0226 @9Wx2

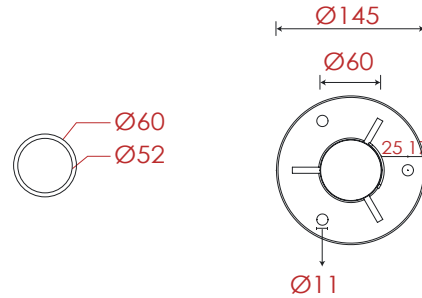
## Adjustable Beam Direction



## Regular Painting Color

Basic	Secondary
 Sanded Grey KAL 7042	 Sanded Black RAL 9005

## Flag Base

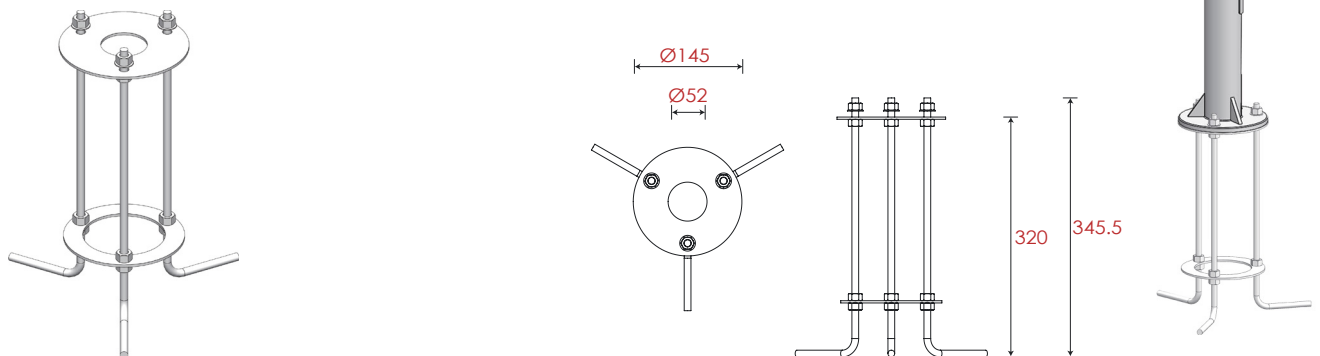


## Pole Dimension

Diameter : Ø60mm  
Height : 2200mm (Customizeable)  
Material : Aluminum

## Accessories

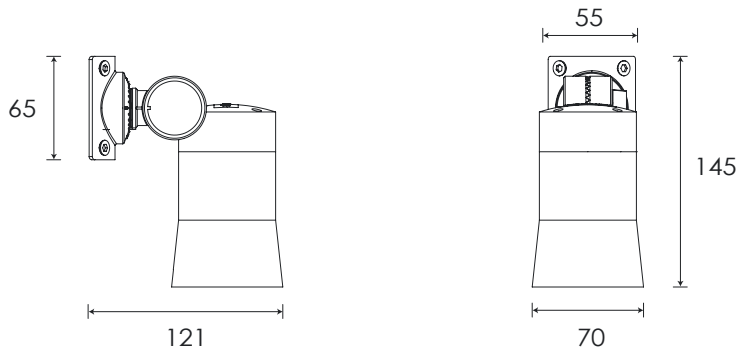
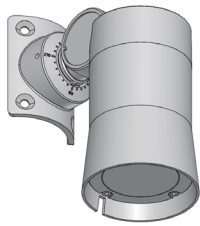
## Base Dimension



Item	Lens	The manufacturer selected lens degree(°)Ø1/2	Input voltage(V)	Typical operating current(mA)	Typical consumption(W)	Typical luminance(lm)	IK rate
B9CSC0226	B71	24°	120 / 240	120V=117 × 2 240V=67 × 2	9 × 2	838 × 2	07 40



# Landscape / Street pole light B9CSR0126




## Specification

<b>Housing</b>	12# Die-Casting aluminum finishing or powder painting T=60-80μm.Adhesion of ISO class 1/ASTM class 4B	<b>LED Driver</b>	Constant Voltage Input, Constant Current Output
<b>Light Window</b>	Tempered Glass.T=3mm	<b>Power Cable</b>	Outside of luminaire 120V/240V: H05RN-F 3×1.0mm², L=3m
<b>Cable Gland</b>	IP68 PG-9 PA66	<b>Dimming Support</b>	TRIAC PWM Available 1-10V Dali Customized
<b>Gasket</b>	Tooling shaped seal	<b>Operating Restrict</b>	Temperature of environment between -20°C~40°C
<b>LED</b>	NICHIA		

## Lens

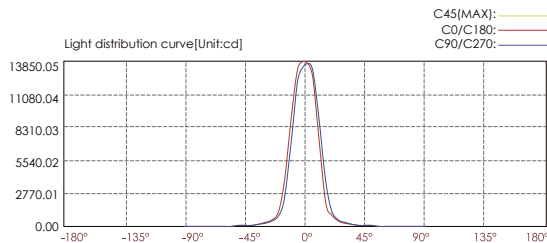
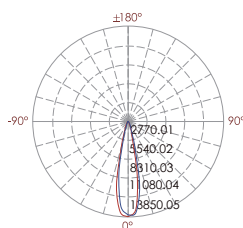
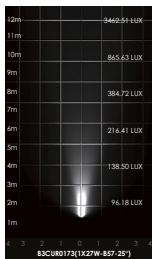
### Regular Painting Color

<b>Basic</b>	<b>Secondary</b>
Sanded Grey KAL 7042	Sanded Black RAL 9005

Item Code	Referenced Degree(°)θ1/2				
 B71	15°	24°	33°	45°	60°

Item	Light Source	Lens	The manufacturer selected lens degree(°)θ1/2	Input voltage(V)	Typical operating current(mA)	Typical consumption(W)	Typical luminance(lm)	IK rate
B9CSR0126	7W	B71	24°	120 / 240	120V=117 240V=67	9	838	07

## Photometric



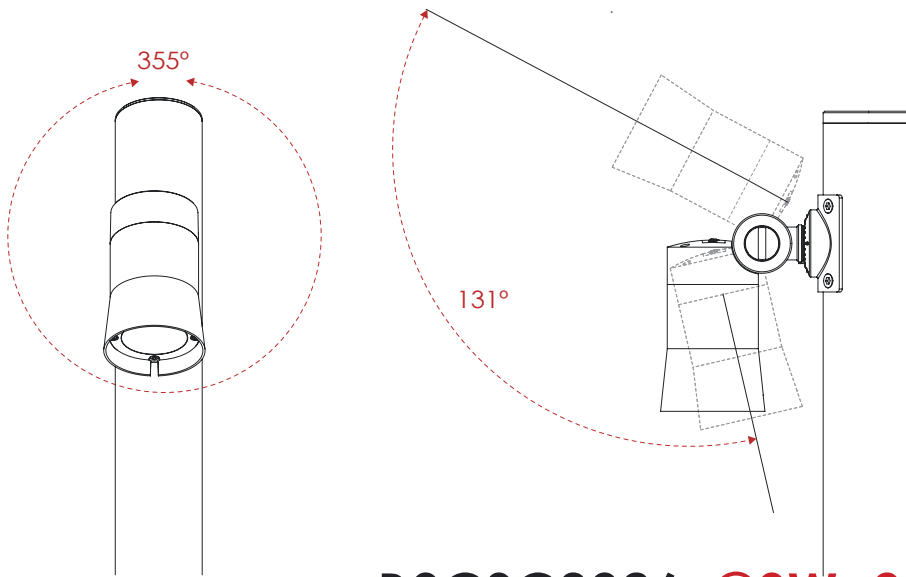
Illuminance at a distance			
Center beam LUX	Beam width		V
	H	H	
2m	3462.51 LUX	0.8m	0.8m
4m	865.63 LUX	1.6m	1.6m
6m	384.72 LUX	2.5m	2.4m
8m	216.41 LUX	3.3m	3.3m
10m	138.50 LUX	4.1m	4.1m
12m	96.18 LUX	4.9m	4.9m

Ver.Spread:23.3 Horiz.Spread:23

# Landscape / Street pole light

## B9CSR0126

### Adjustable Beam Direction

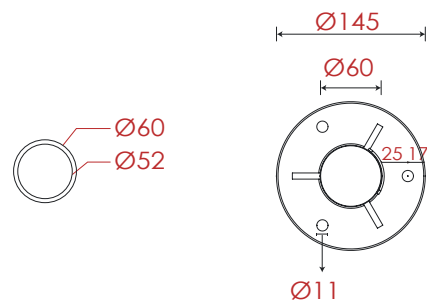


**B9CSC0326 @9W×3**

### Regular Painting Color

Basic		Secondary	
	Sanded Grey KAL 7042		Sanded Black RAL 9005

### Flag Base

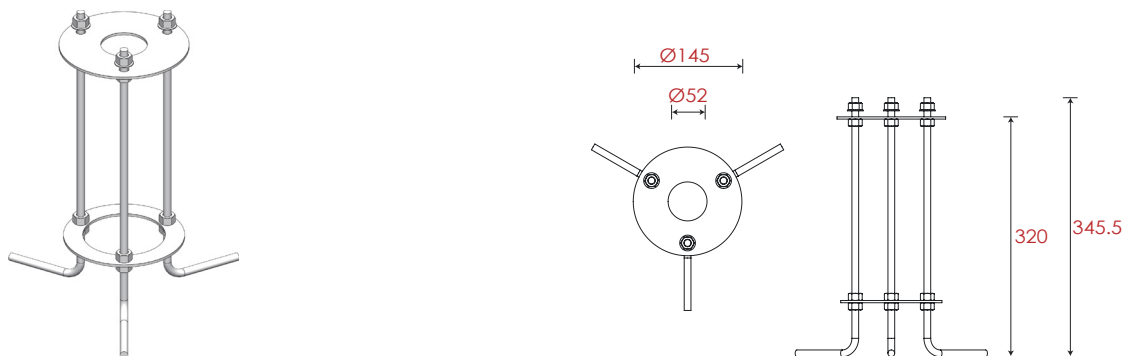


### Pole Dimension

Diameter : Ø60mm  
Height : 2200mm (Customizeable)  
Material : Aluminum

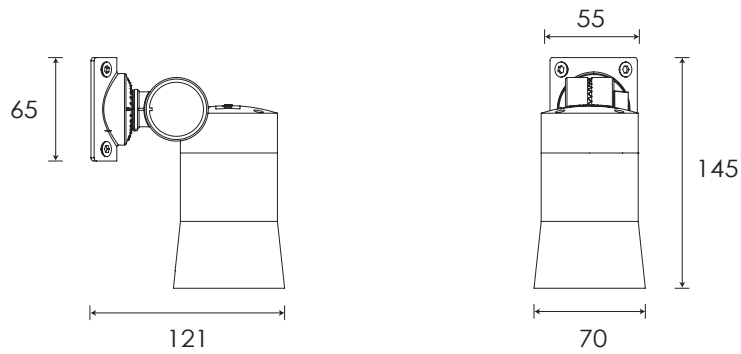
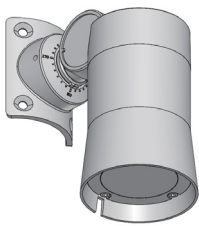
### Accessories

### Base Dimension



Item	Lens	The manufacturer selected lens degree(°)Ø1/2	Input voltage(V)	Typical operating current(mA)	Typical consumption(W)	Typical luminance(lm)	IK rate
B9CSC0326	B71	24°	120 / 240	120V=117 × 3 240V=67 × 3	9 × 3	838 × 3	07

# Landscape / Street pole light B9CSR0126




## Specification

<b>Housing</b>	12# Die-Casting aluminum finishing or powder painting T=60-80μm. Adhesion of ISO class 1/ASTM class 4B	<b>LED Driver</b>	Constant Voltage Input, Constant Current Output
<b>Light Window</b>	Tempered Glass, T=3mm	<b>Power Cable</b>	Outside of luminaire 120V/240V: H05RN-F 3×1.0mm <sup>2</sup> , L=3m
<b>Cable Gland</b>	IP68 PG-9 PA66	<b>Dimming Support</b>	TRIAC PWM Available 1-10V Dali Customized
<b>Gasket</b>	Tooling shaped seal	<b>Operating Restrict</b>	Temperature of environment between -20°C~40°C
<b>LED</b>	NICHIA		

## Regular Painting Color

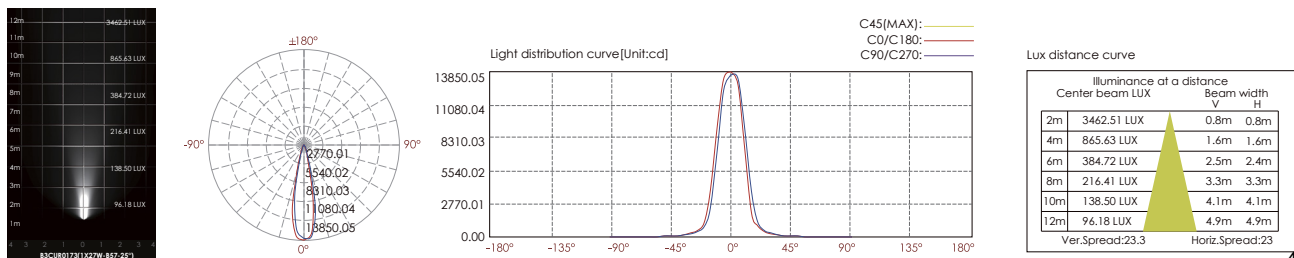
Basic	Secondary
Sanded Grey KAL 7042	Sanded Black RAL 9005

## Lens

Item Code	Referenced Degree(°)θ1/2				
 B71	15°	24°	33°	45°	60°

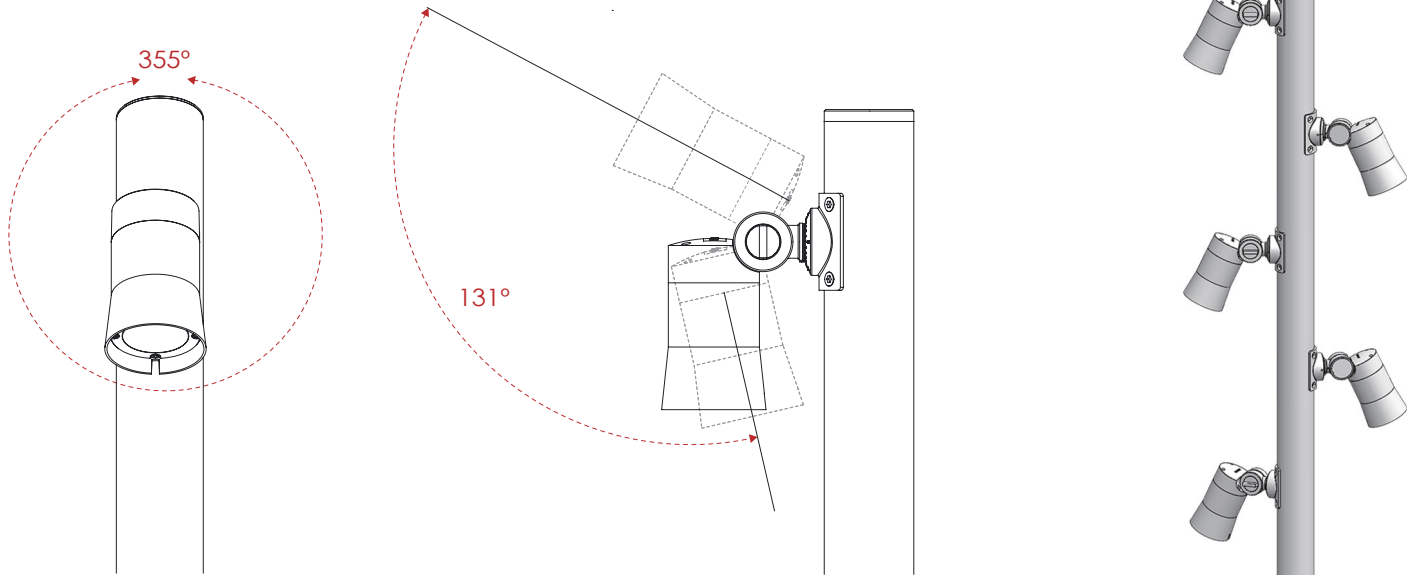
Item	Light Source	Lens	The manufacturer selected lens degree(°)θ1/2	Input voltage(V)	Typical operating current(mA)	Typical consumption(W)	Typical luminance(lm)	IK rate
B9CSR0126	7W	B71	24°	120 / 240	120V=117 240V=67	9	838	07

## Photometric



# Landscape / Street pole light B9CSC0526 @9Wx5

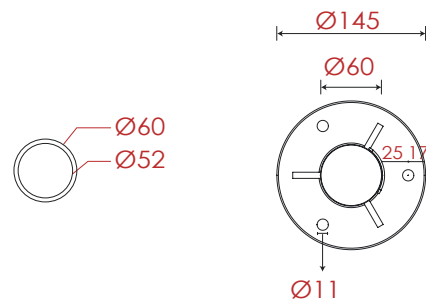
## Adjustable Beam Direction



## Regular Painting Color

Basic	Secondary
 Sanded Grey KAL 7042	 Sanded Black RAL 9005

## Flag Base

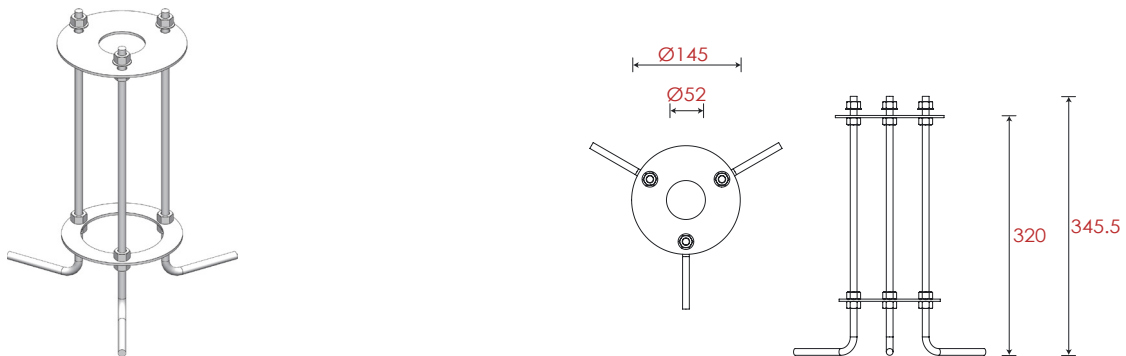


## Pole Dimension

Diameter : Ø60mm  
Height : 2200mm (Customizeable)  
Material : Aluminum

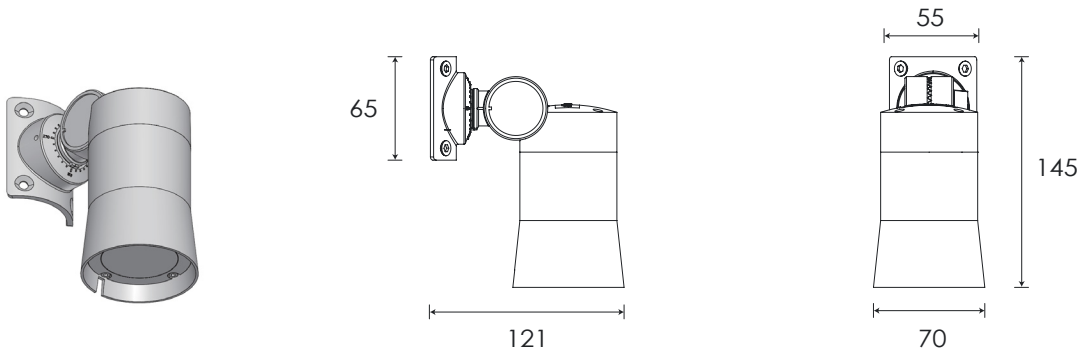
## Accessories

### Base Dimension



Item	Lens	The manufacturer selected lens degree(°)91/2	Input voltage(V)	Typical operating current(mA)	Typical consumption(W)	Typical luminance(lm)	IK rate
B9CSC0526	B71	24°	120 / 240	120V=117 × 5 240V=67 × 5	9 × 5	838 × 5	07 44

# Landscape / Street pole light B9CSR0126




## Specification

<b>Housing</b>	12# Die-Casting aluminum finishing or powder painting T=60-80μm.Adhesion of ISO class 1/ASTM class 4B	<b>LED Driver</b>	Constant Voltage Input, Constant Current Output
<b>Light Window</b>	Tempered Glass.T=3mm	<b>Power Cable</b>	Outside of luminaire 120V/240V: H05RN-F 3×1.0mm <sup>2</sup> , L=3m
<b>Cable Gland</b>	IP68 PG-9 PA66	<b>Dimming Support</b>	TRIAC PWM Available 1-10V Dali Customized
<b>Gasket</b>	Tooling shaped seal	<b>Operating Restrict</b>	Temperature of environment between -20°C~40°C
<b>LED</b>	NICHIA		

## Regular Painting Color

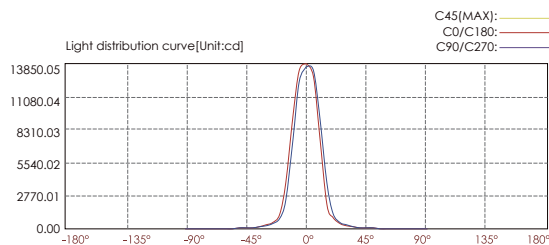
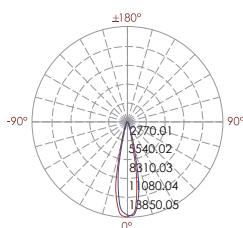
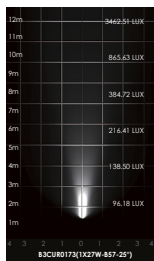
Basic	Secondary
 Sanded Grey KAL 7042	 Sanded Black RAL 9005

## Lens

Item Code	Referenced Degree(°)θ1/2				
 B71	15°	24°	33°	45°	60°

Item	Light Source	Lens	The manufacturer selected lens degree(°)θ1/2	Input voltage(V)	Typical operating current(mA)	Typical consumption(W)	Typical luminance(lm)	IK rate
B9CSR0126	7W	B71	24°	120 / 240	120V=117 240V=67	9	838	07

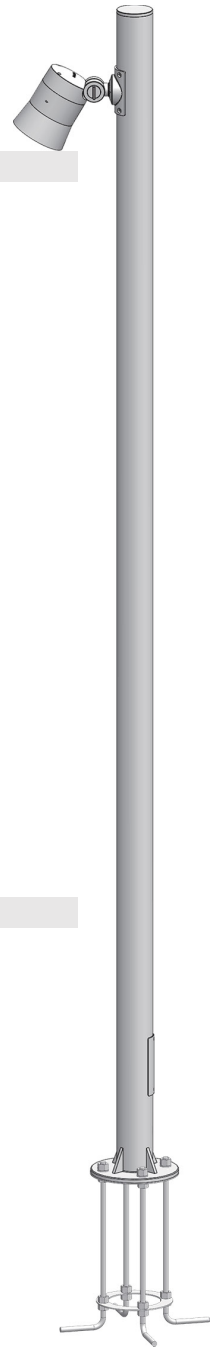
## Photometric



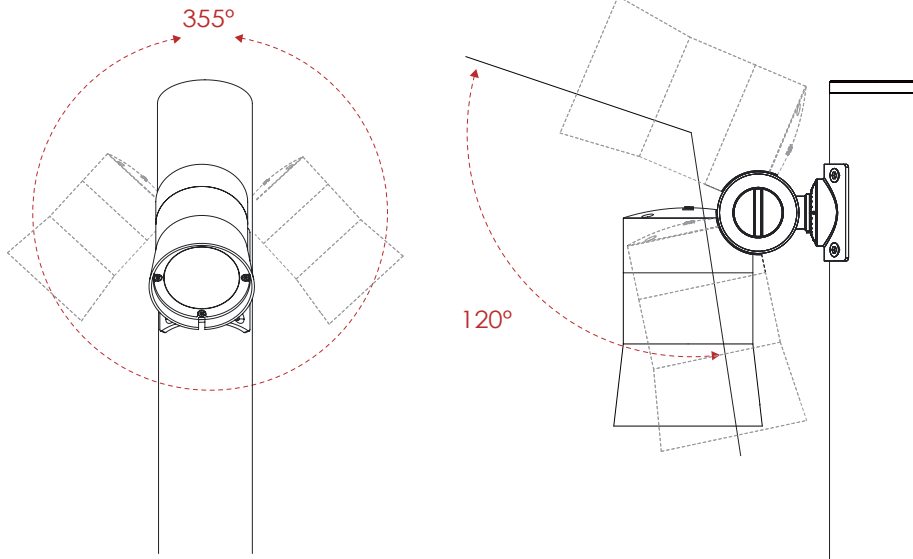
Distance (m)	Center beam LUX	Beam width V (m)	Beam width H (m)
2m	3462.51 LUX	0.8m	0.8m
4m	865.63 LUX	1.6m	1.6m
6m	384.72 LUX	2.5m	2.4m
8m	216.41 LUX	3.3m	3.3m
10m	138.50 LUX	4.1m	4.1m
12m	86.53 LUX	4.9m	4.9m

Ver.Spread:23.3 Horiz.Spread:23

# Landscape / Street pole light B9CTC0169 @20W



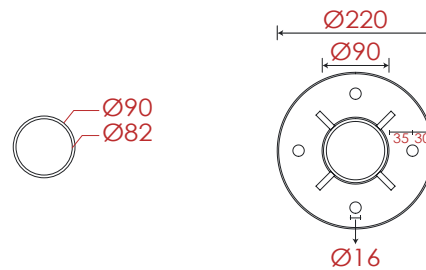
## Adjustable Beam Direction



## Regular Painting Color

Basic		Secondary	
	Sanded Grey KAL 7042		Sanded Black RAL 9005

## Flag Base

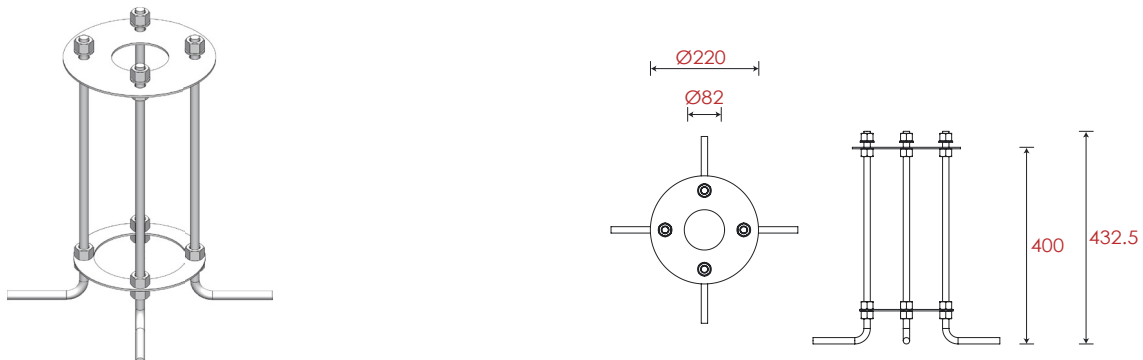


## Pole Dimension & Material

Diameter : Ø90mm  
Height : 3000mm (Customizeable)  
Material : Aluminum

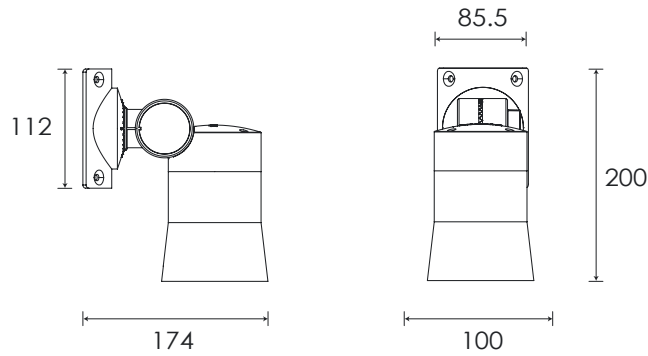
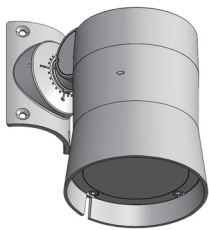
## Accessories

## Base Dimension



Item	Lens	The manufacturer selected lens degree(°)Ø1/2	Input voltage(V)	Typical operating current(mA)	Typical consumption(W)	Typical luminance(lm)	IK rate
B9CTC0169	B76	20°	240	240V=89	20	2054	07 46

# Landscape / Street pole light B9CTC0169




## Specification

<b>Housing</b>	12# Die-Casting aluminum finishing or powder painting T=60-80µm.Adhesion of ISO class 1/ASTM class 4B	<b>LED Driver</b>	Constant Voltage Input, Constant Current Output
<b>Light Window</b>	Tempered Glass.T=3mm	<b>Power Cable</b>	Outside of luminaire 120V/240V: H05RN-F 3×1.0mm², L=4m
<b>Cable Gland</b>	IP68 PG-9 PA66	<b>Dimming Support</b>	TRIAC PWM Available 1-10V Dali Customized
<b>Gasket</b>	Tooling shaped seal	<b>Operating Restrict</b>	Temperature of environment between -20°C~40°C
<b>LED</b>	NICHIA		

## Lens

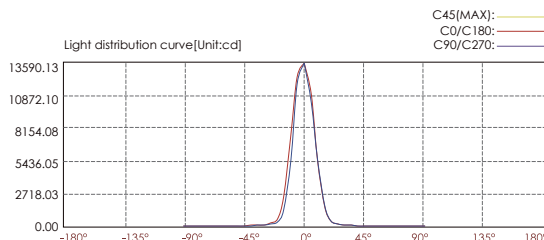
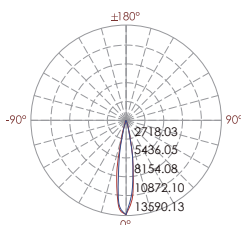
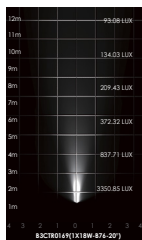
### Regular Painting Color


Basic	Secondary
Sanded Grey KAL 7042	Sanded Black RAL 9005

Item Code	Referenced Degree(°)θ1/2			
 B76	15°	20°	35°	50°

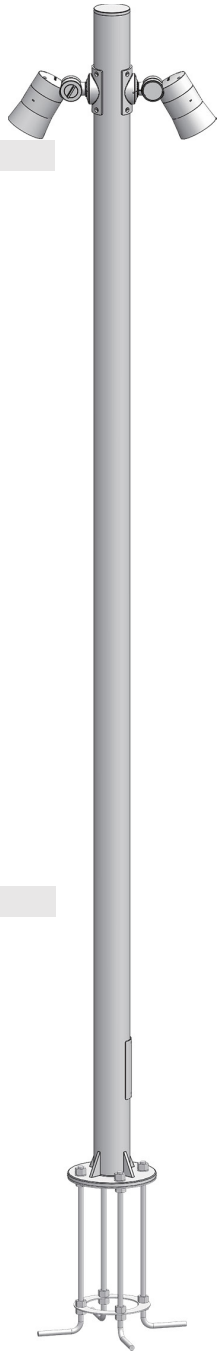
Item	Light Source	Lens	The manufacturer selected lens degree(°)θ1/2	Input voltage(V)	Typical operating current(mA)	Typical consumption(W)	Typical luminance(lm)	IK rate
B9CTR0169	18W	B76	20°	240	240V=89	20	2054	07

## Photometric

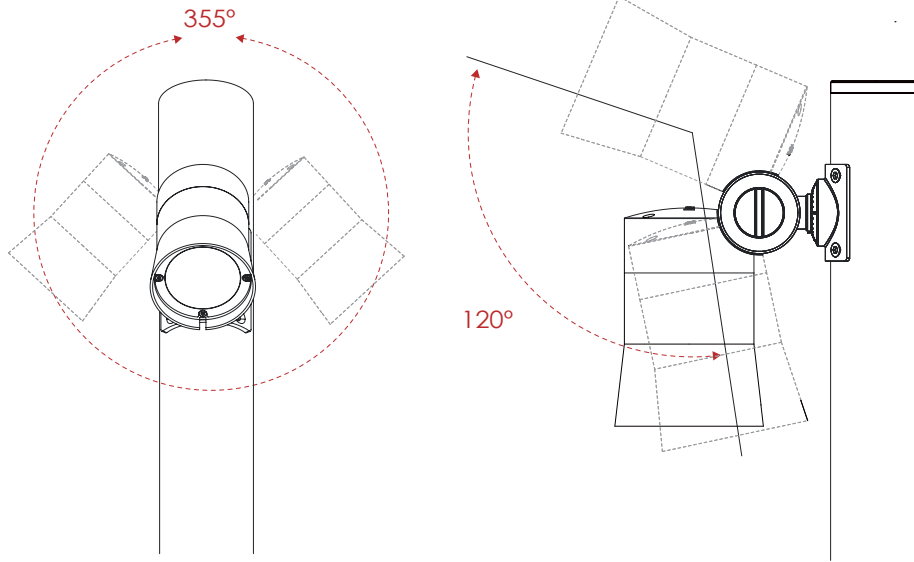


Illuminance at a distance Center beam LUX				Beam width	
	LUX	V	H		
2m	3350.85 LUX	0.7m	0.6m		Ver.Spread:19.5 Horiz.Spread:17.6
4m	837.71 LUX	1.4m	1.2m		
6m	372.32 LUX	2.1m	1.9m		
8m	209.43 LUX	2.8m	2.5m		
10m	134.03 LUX	3.4m	3.1m		
12m	93.08 LUX	4.1m	3.7m		

# Landscape / Street pole light B9CTC0269 @20WQx2



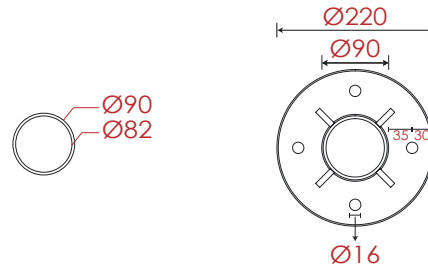
## Adjustable Beam Direction



## Regular Painting Color

Basic		Secondary	
	Sanded Grey KAL 7042		Sanded Black RAL 9005

## Flag Base

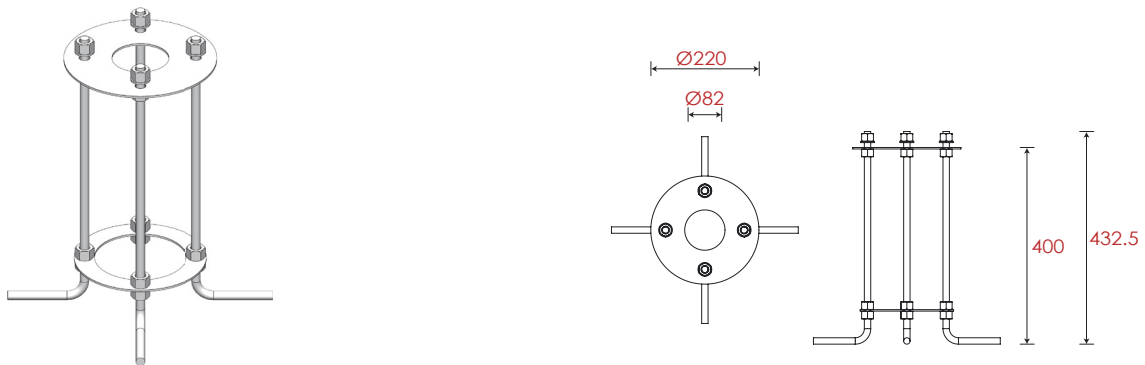


## Pole Dimension & Material

Diameter : Ø90mm  
Height : 3000mm (Customizeable)  
Material : Aluminum

## Accessories

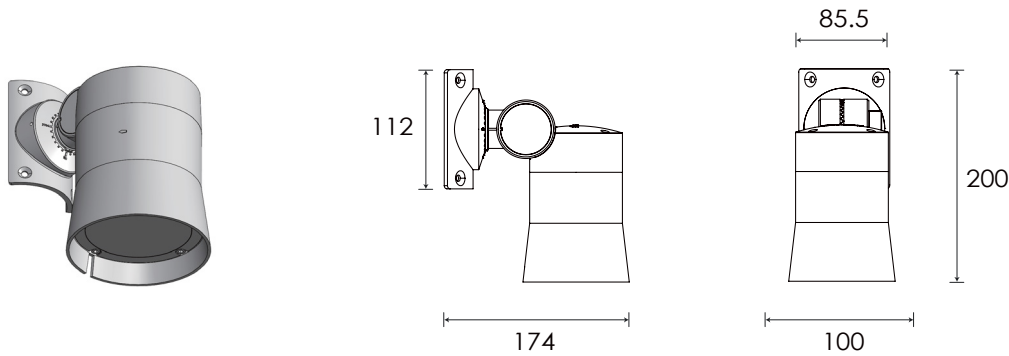
## Base Dimension



Item	Lens	The manufacturer selected lens degree(°)Ø1/2	Input voltage(V)	Typical operating current(mA)	Typical consumption(W)	Typical luminance(lm)	IK rate
B9CTC0269	B76	20°	240	240V=89 × 2	20 × 2	2054 × 2	07



# Landscape / Street pole light B9CTR0169




## Specification

<b>Housing</b>	12# Die-Casting aluminum finishing or powder painting T=60-80μm.Adhesion of ISO class 1/ASTM class 4B	<b>LED Driver</b>	Constant Voltage Input, Constant Current Output
<b>Light Window</b>	Tempered Glass.T=3mm	<b>Power Cable</b>	Outside of luminaire 120V/240V: H05RN-F 3×1.0mm², L=4m
<b>Cable Gland</b>	IP68 PG-9 PA66	<b>Dimming Support</b>	TRIAC PWM Available 1-10V Dali Customized
<b>Gasket</b>	Tooling shaped seal	<b>Operating Restrict</b>	Temperature of environment between -20°C~40°C
<b>LED</b>	NICHIA		

## Lens

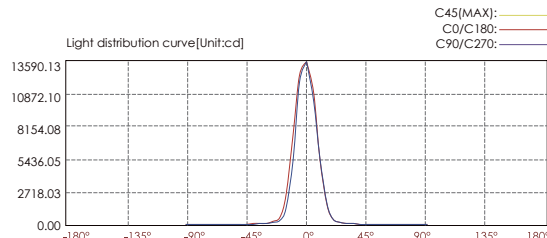
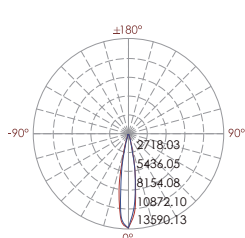
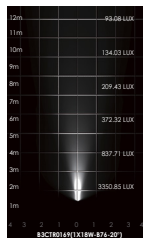
### Regular Painting Color

Basic	Secondary
Sanded Grey KAL 7042	Sanded Black RAL 9005

Item Code	Referenced Degree(°)θ1/2			
 B76	15°	20°	35°	50°

Item	Light Source	Lens	The manufacturer selected lens degree(°)θ1/2	Input voltage(V)	Typical operating current(mA)	Typical consumption(W)	Typical luminance(lm)	IK rate
B9CTR0169	18W	B76	20°	240	240V=89	20	2054	07

## Photometric



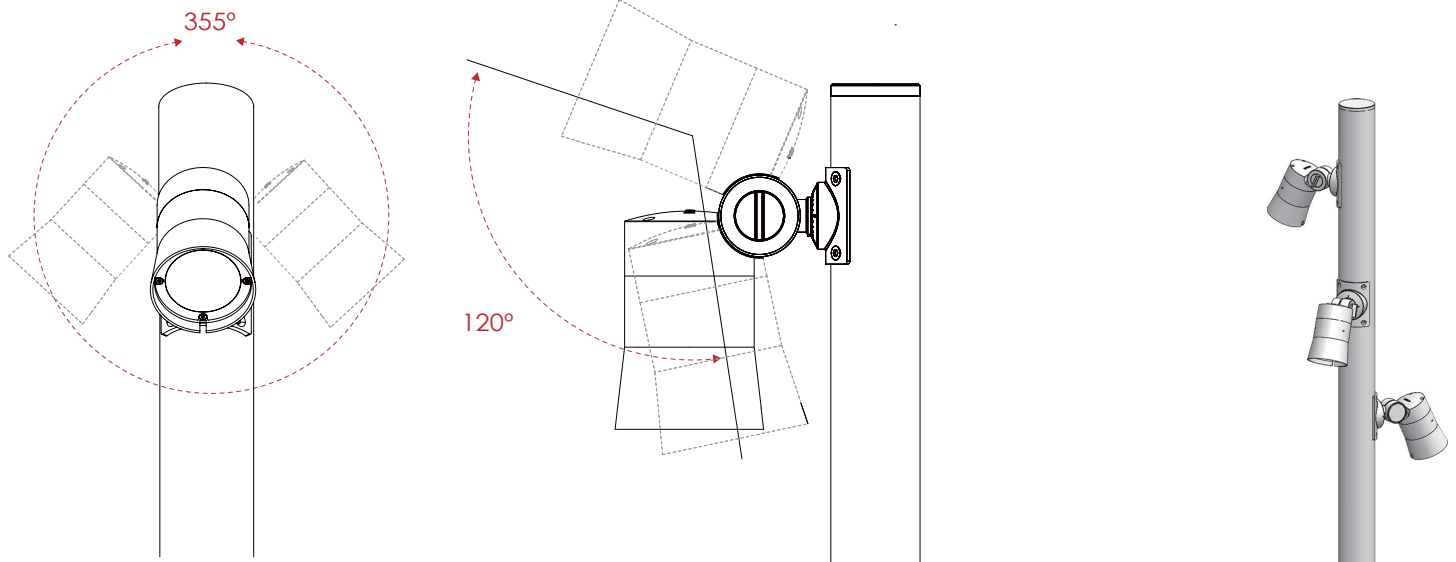
Lux distance curve

Center beam LUX	Beam width	H
2m 3350.85 LUX	0.7m	0.6m
4m 837.71 LUX	1.4m	1.2m
6m 372.32 LUX	2.1m	1.9m
8m 209.43 LUX	2.8m	2.5m
10m 134.03 LUX	3.4m	3.1m
12m 93.08 LUX	4.1m	3.7m

Ver.Spread:19.5 Horiz.Spread:17.6

# Landscape / Street pole light B9CTC0369 @20Wx3

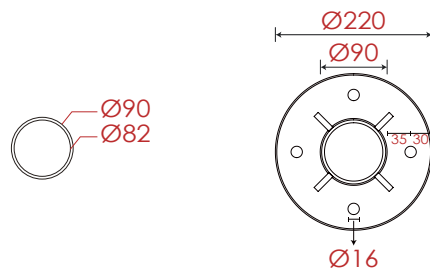
## Adjustable Beam Direction



## Regular Painting Color

Basic		Secondary	
	Sanded Grey KAL 7042		Sanded Black RAL 9005

## Flag Base

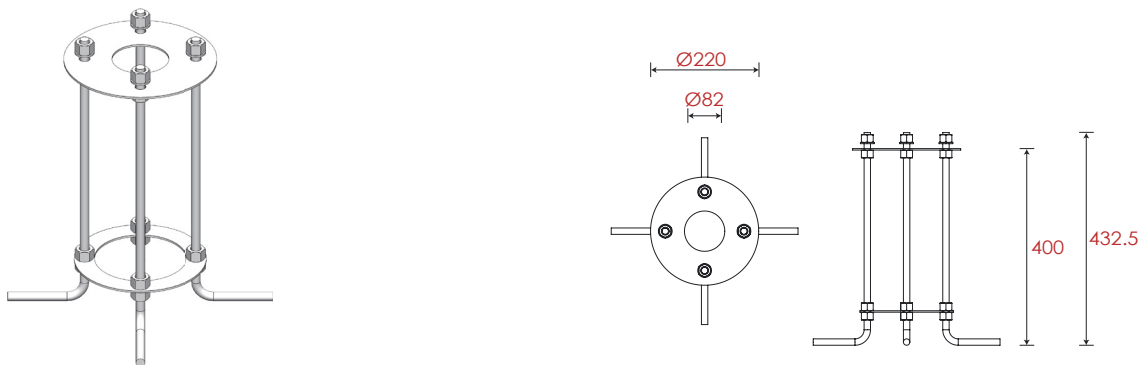


## Pole Dimension & Material

Diameter : Ø90mm  
Height : 3000mm (Customizeable)  
Material : Aluminum

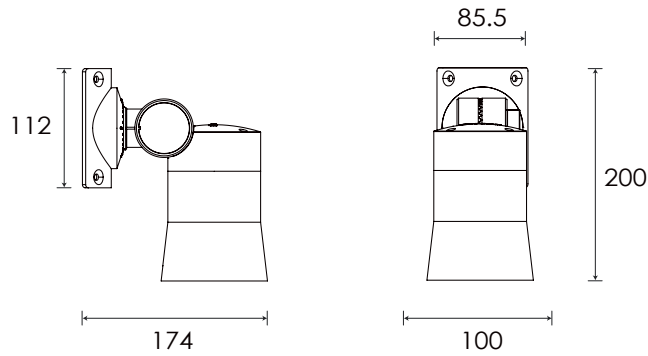
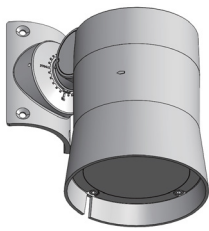
## Accessories

### Base Dimension



Item	Lens	The manufacturer selected lens degree(°)θ1/2	Input voltage(V)	Typical operating current(mA)	Typical consumption(W)	Typical luminance(lm)	IK rate
B9CTC0369	B76	20°	240	240V=89 × 3	20 × 3	2054 × 3	07

# Landscape / Street pole light B9CTR0169




## Specification

<b>Housing</b>	12# Die-Casting aluminum finishing or powder painting T=60-80μm.Adhesion of ISO class 1/ASTM class 4B	<b>LED Driver</b>	Constant Voltage Input, Constant Current Output
<b>Light Window</b>	Tempered Glass.T=3mm	<b>Power Cable</b>	Outside of luminaire 120V/240V: H05RN-F 3×1.0mm <sup>2</sup> , L=4m
<b>Cable Gland</b>	IP68 PG-9 PA66	<b>Dimming Support</b>	TRIAC PWM Available 1-10V Dali Customized
<b>Gasket</b>	Tooling shaped seal	<b>Operating Restrict</b>	Temperature of environment between -20°C~40°C
<b>LED</b>	NICHIA		

## Regular Painting Color

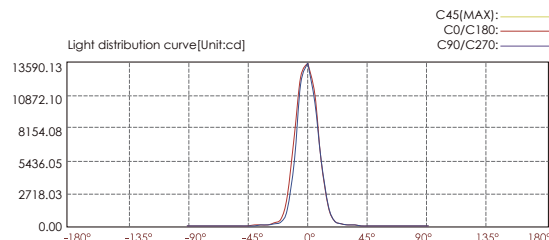
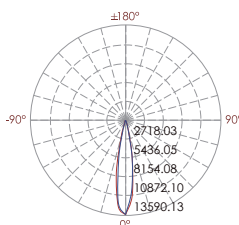
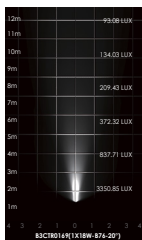
Basic	Secondary
Sanded Grey KAL 7042	Sanded Black RAL 9005

## Lens

Item Code	Referenced Degree(°)θ1/2			
 B76	15°	20°	35°	50°

Item	Light Source	Lens	The manufacturer selected lens degree(°)θ1/2	Input voltage(V)	Typical operating current(mA)	Typical consumption(W)	Typical luminance(lm)	IK rate
B9CTR0169	18W	B76	20°	240	240V=89	20	2054	07

## Photometric



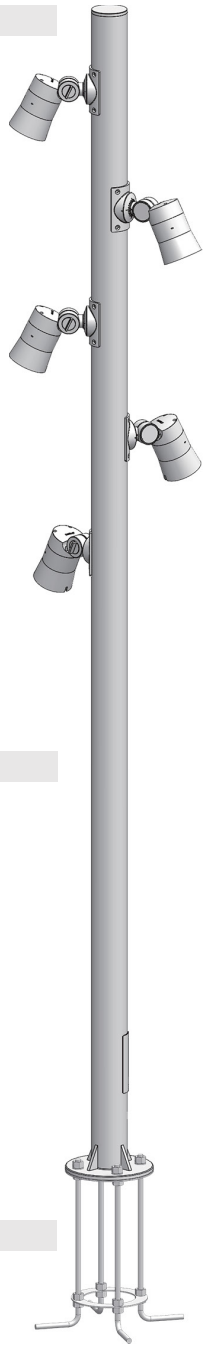
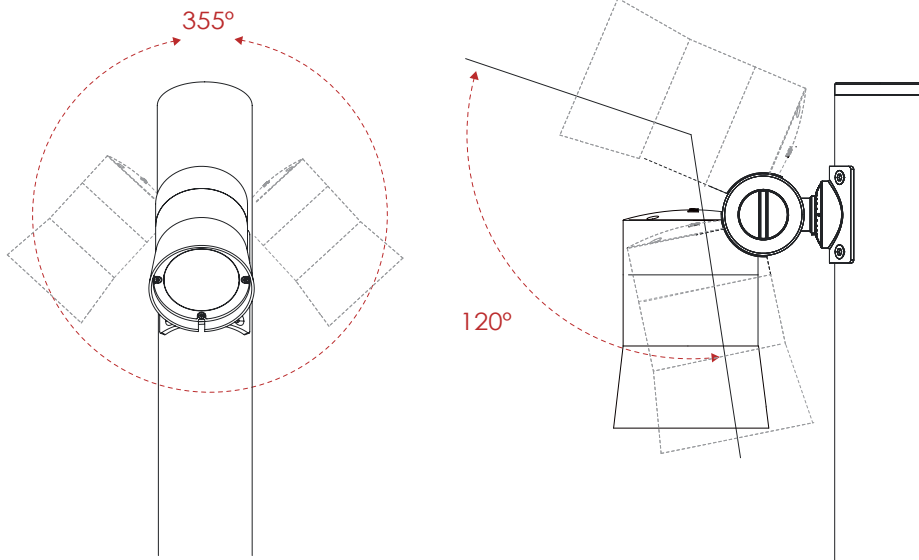
Lux distance curve

Illuminance at a distance			
Center beam LUX	Beam width		
	V	H	
2m	3350.85 LUX	0.7m	0.6m
4m	837.71 LUX	1.4m	1.2m
6m	372.32 LUX	2.1m	1.9m
8m	209.43 LUX	2.8m	2.5m
10m	134.03 LUX	3.4m	3.1m
12m	93.08 LUX	4.1m	3.7m

Ver.Spread:19.5 Horiz.Spread:17.6

# Landscape / Street pole light B9CTC0569 @20W×5

## Adjustable Beam Direction



## Regular Painting Color

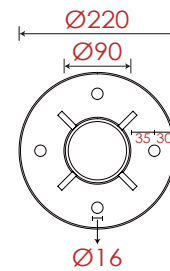
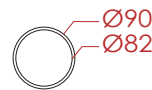
Basic

Sanded Grey  
KAL 7042

Secondary

Sanded Black  
RAL 9005

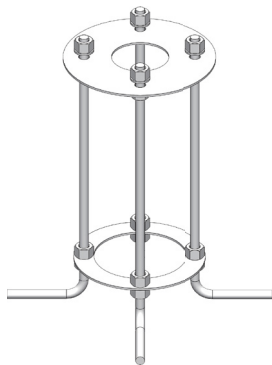
## Flag Base



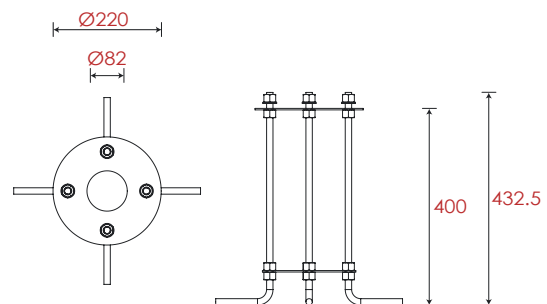
## Pole Dimension & Material

Diameter : Ø90mm  
Height : 3000mm (Customizeable)  
Material : Aluminum

## Accessories

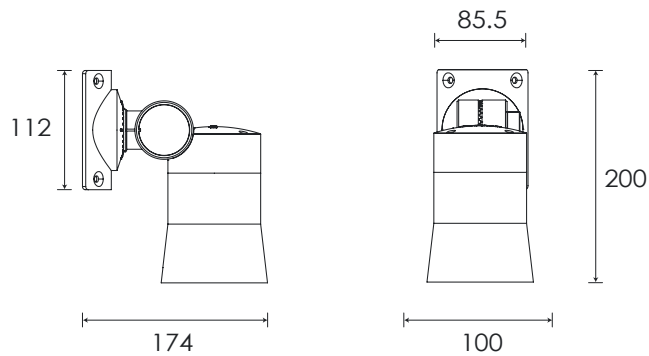
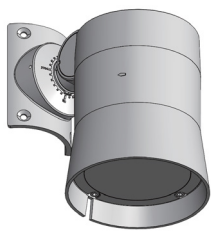


## Base Dimension



Item	Lens	The manufacturer selected lens degree(°)θ1/2	Input voltage(V)	Typical operating current(mA)	Typical consumption(W)	Typical luminance(lm)	IK rate
B9CTC0569	B76	20°	240	240V=89 × 5	20 × 5	2054 × 5	07

# Landscape / Street pole light B9CTR0169




## Specification

<b>Housing</b>	12# Die-Casting aluminum finishing or powder painting T=60-80μm. Adhesion of ISO class 1/ASTM class 4B	<b>LED Driver</b>	Constant Voltage Input, Constant Current Output
<b>Light Window</b>	Tempered Glass.T=3mm	<b>Power Cable</b>	Outside of luminaire 120V/240V: H05RN-F 3×1.0mm², L=4m
<b>Cable Gland</b>	IP68 PG-9 PA66	<b>Dimming Support</b>	TRIAC PWM Available 1-10V Dali Customized
<b>Gasket</b>	Tooling shaped seal	<b>Operating Restrict</b>	Temperature of environment between -20°C~40°C
<b>LED</b>	NICHIA		

## Lens

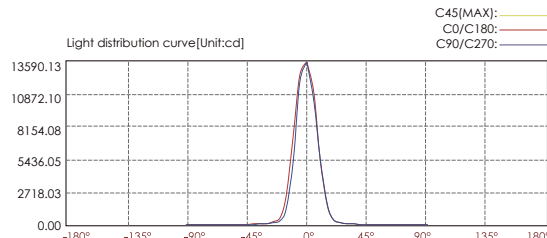
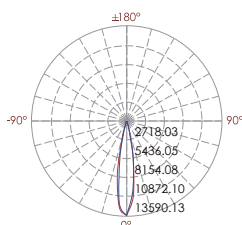
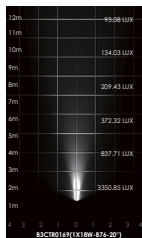
### Regular Painting Color

Basic	Secondary
 Sanded Grey KAL 7042	 Sanded Black RAL 9005

Item Code	Referenced Degree(°)θ1/2			
 B76	15°	20°	35°	50°

Item	Light Source	Lens	The manufacturer selected lens degree(°)θ1/2	Input voltage(V)	Typical operating current(mA)	Typical consumption(W)	Typical luminance(lm)	IK rate
B9CTR0169	18W	B76	20°	240	240V=89	20	2054	07

## Photometric

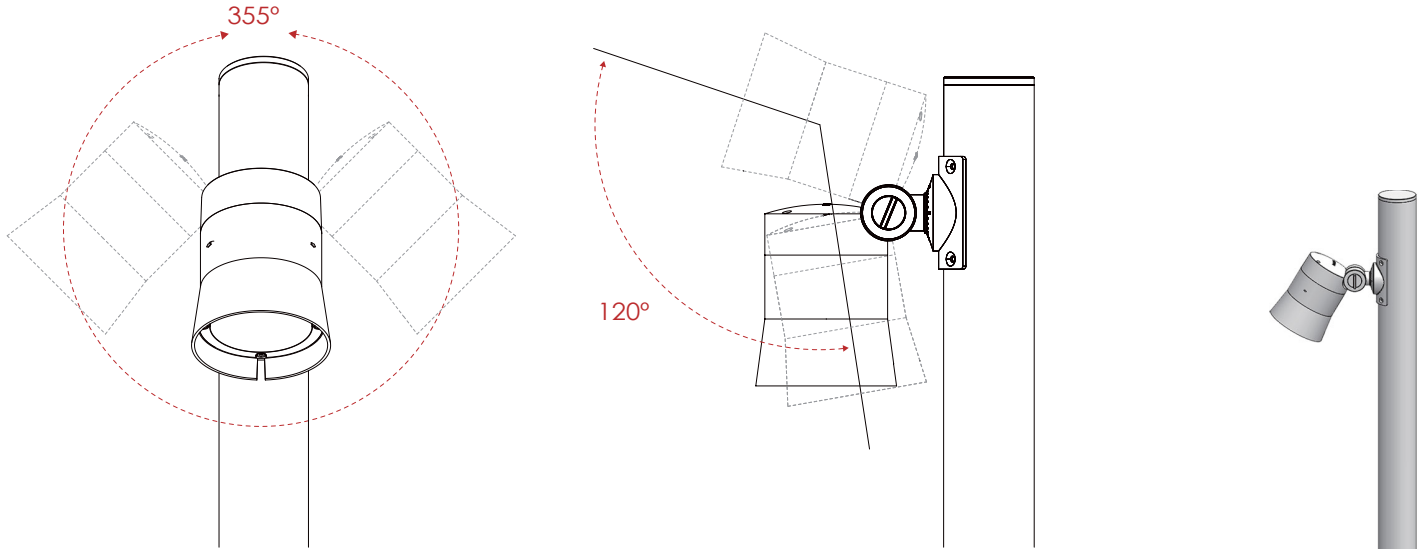


Center beam LUX	Beam width V H
2m 3350.85 LUX	0.7m 0.6m
4m 837.71 LUX	1.4m 1.2m
6m 372.32 LUX	2.1m 1.9m
8m 209.43 LUX	2.8m 2.5m
10m 134.03 LUX	3.4m 3.1m
12m 93.08 LUX	4.1m 3.7m

Ver.Spread:19.5 Horiz.Spread:17.6

# Landscape / Street pole light B9CTR0169

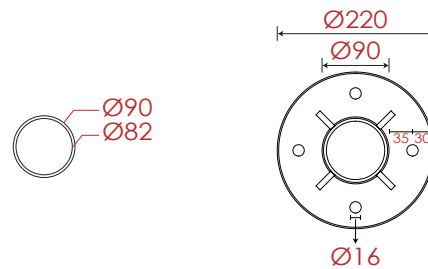
## Adjustable Beam Direction



## Regular Painting Color

Basic		Secondary	
	Sanded Grey KAL 7042		Sanded Black RAL 9005

## Flag Base



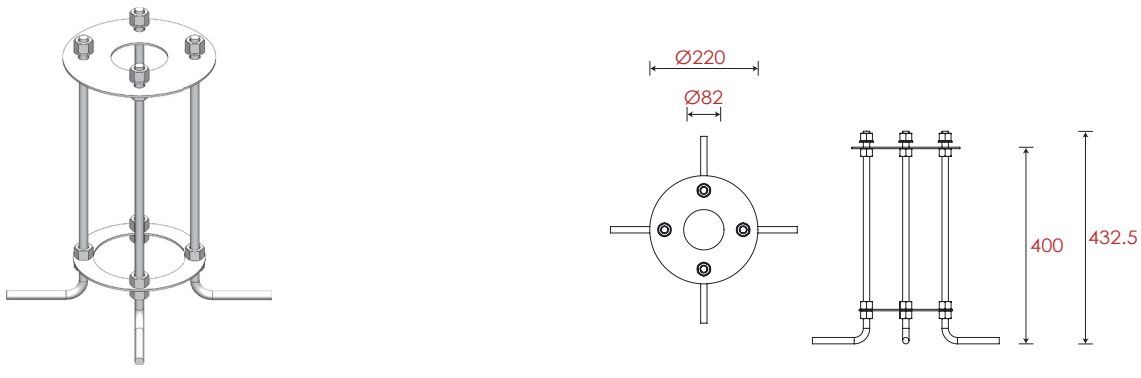
## Pole Dimension & Material

Diameter : Ø90mm  
Height : 3000mm (Customizeable)  
Material : Aluminum

# B9CUC0173 @30W

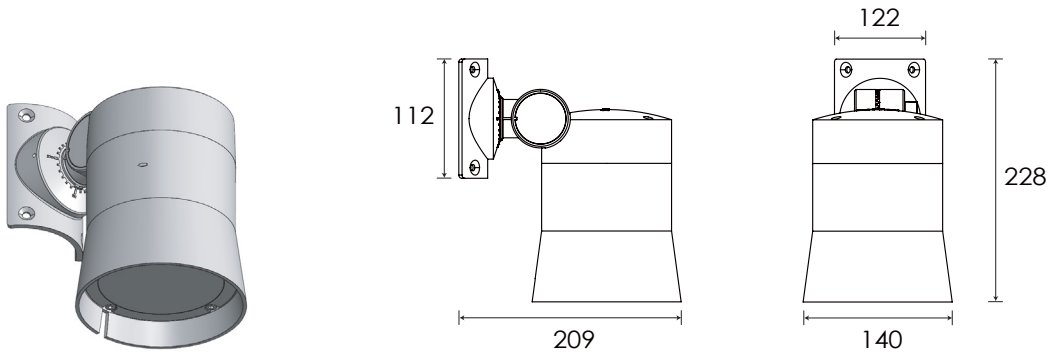
## Accessories

### Base Dimension



Item	Lens	The manufacturer selected lens degree(°)Ø1/2	Input voltage(V)	Typical operating current(mA)	Typical consumption(W)	Typical luminance(lm)	IK rate
B9CUC0173	B57	25°	240	240V=130	30	2886	07

# Landscape / Street pole light B9CUR0173




## Specification

<b>Housing</b>	12# Die-Casting aluminum finishing or powder painting T=60-80μm.Ahesion of ISO class 1/ASTM class 4B	<b>LED Driver</b>	Constant Voltage Input, Constant Current Output
<b>Light Window</b>	Tempered Glass,T=3mm	<b>Power Cable</b>	Outside of luminaire 120V/240V: H05RN-F 3×1.0mm², L=4m
<b>Cable Gland</b>	IP68 PG-9 PA66	<b>Dimming Support</b>	TRIAC PWM Available 1-10V Dali Customized
<b>Gasket</b>	Tooling shaped seal	<b>Operating Restrict</b>	Temperature of environment between -20°C~40°C
<b>LED</b>	NICHIA		

## Lens

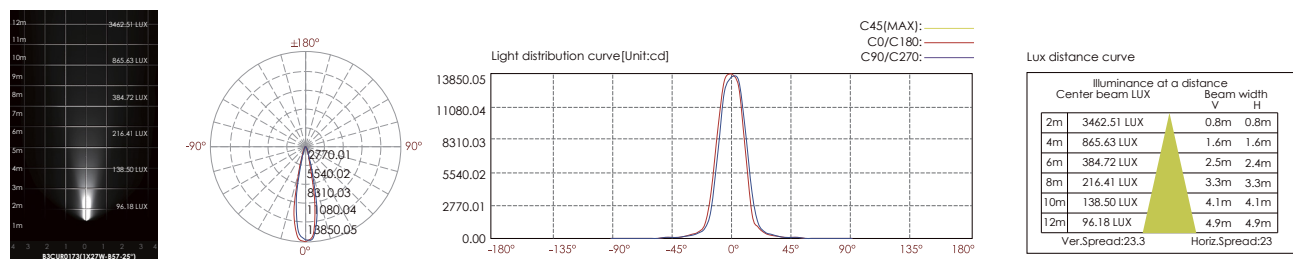
### Regular Painting Color

Basic	Secondary
Sanded Grey KAL 7042	Sanded Black RAL 9005

Item Code	Referenced Degree(°)θ1/2			
 B57	15°	25°	36°	60°

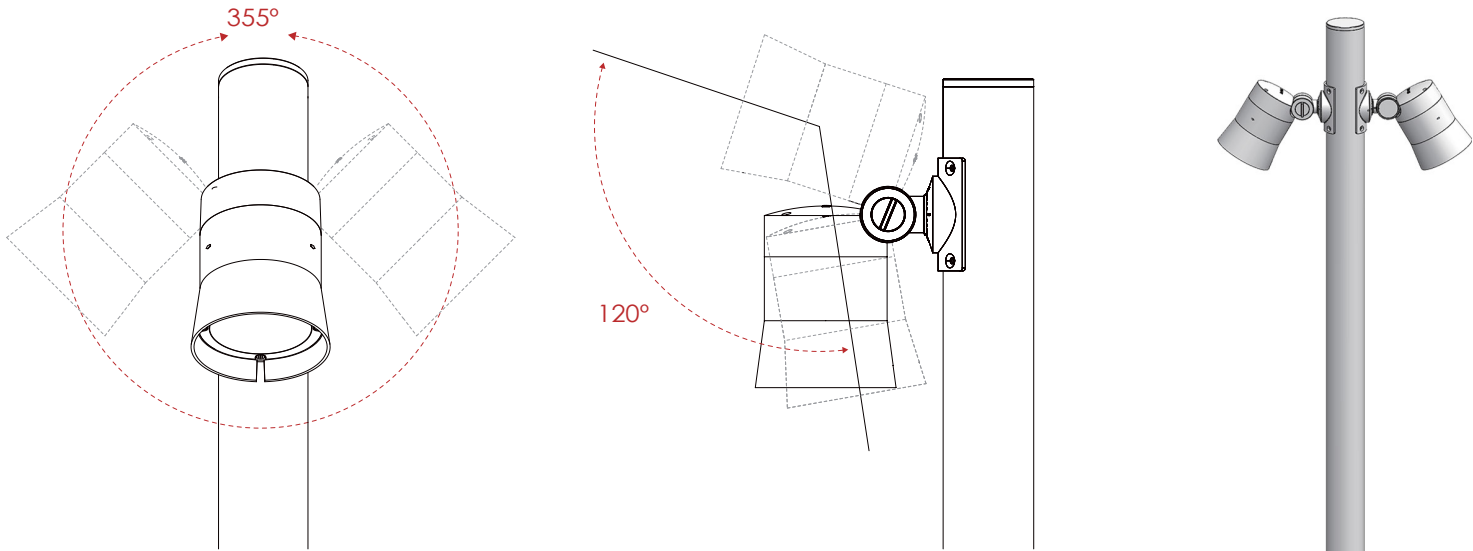
Item	Light Source	Lens	The manufacturer selected lens degree(°)θ1/2	Input voltage(V)	Typical operating current(mA)	Typical consumption(W)	Typical luminance(lm)	IK rate
B9CUR0173	27W	B57	25°	240	240V=130	30	2886	07

## Photometric



# Landscape / Street pole light B9CUC0273 @30W×2

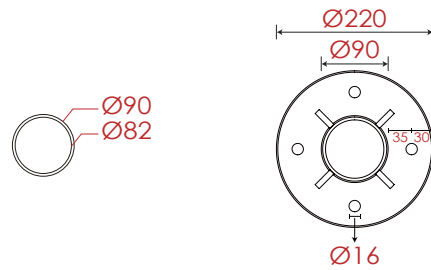
## Adjustable Beam Direction



## Regular Painting Color

Basic		Secondary	
	Sanded Grey KAL 7042		Sanded Black RAL 9005

## Flag Base

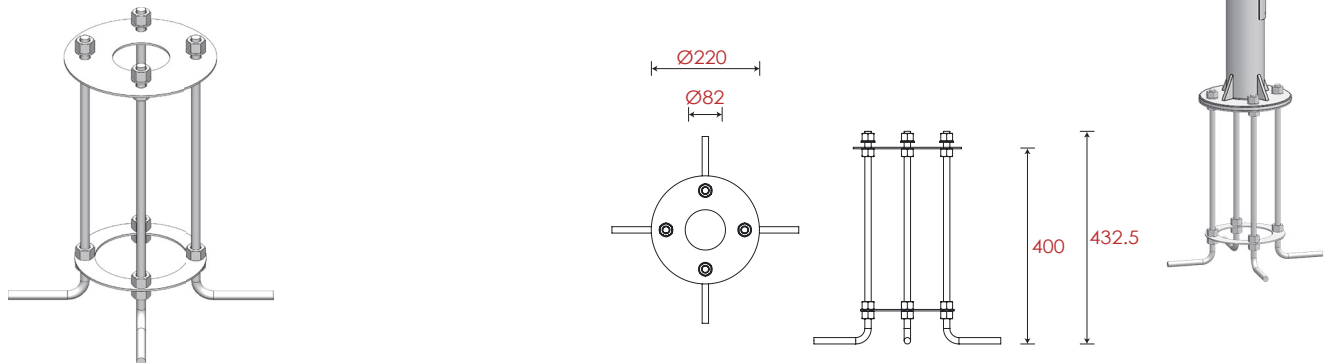


## Pole Dimension & Material

Diameter : Ø90mm  
Height : 3000mm (Customizeable)  
Material : Aluminum

## Accessories

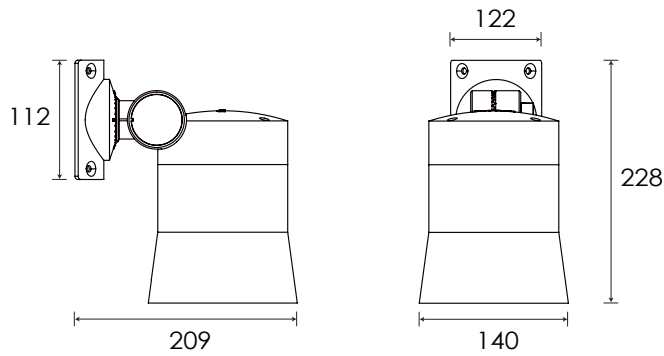
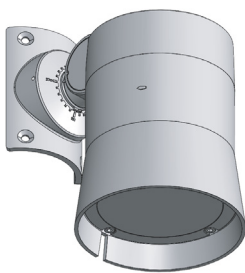
### Base Dimension



Item	Lens	The manufacturer selected lens degree(°)Ø1/2	Input voltage(V)	Typical operating current(mA)	Typical consumption(W)	Typical luminance(lm)	IK rate
B9CUC0273	B57	25°	240	240V=130 × 2	30 × 2	2886 × 2	07



# Landscape / Street pole light B9CUR0173




## Specification

<b>Housing</b>	12# Die-Casting aluminum finishing or powder painting T=60-80μm. Adhesion of ISO class 1/ASTM class 4B	<b>LED Driver</b>	Constant Voltage Input, Constant Current Output
<b>Light Window</b>	Tempered Glass.T=3mm	<b>Power Cable</b>	Outside of luminaire 120V/240V: H05RN-F 3×1.0mm <sup>2</sup> , L=4m
<b>Cable Gland</b>	IP68 PG-9 PA66	<b>Dimming Support</b>	TRIAC PWM Available 1-10V Dali Customized
<b>Gasket</b>	Tooling shaped seal	<b>Operating Restrict</b>	Temperature of environment between -20°C~40°C
<b>LED</b>	NICHIA		

## Regular Painting Color

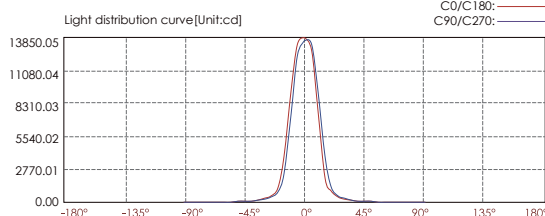
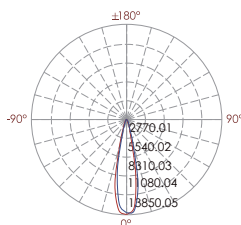
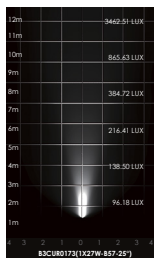
<b>Basic</b>	<b>Secondary</b>
Sanded Grey KAL 7042	Sanded Black RAL 9005

## Lens

Item Code	Referenced Degree(°)θ1/2			
 B57	15°	25°	36°	60°

Item	Light Source	Lens	The manufacturer selected lens degree(°)θ1/2	Input voltage(V)	Typical operating current(mA)	Typical consumption(W)	Typical luminance(lm)	IK rate
B9CUR0173	27W	B57	25°	240	240V=130	30	2886	07

## Photometric

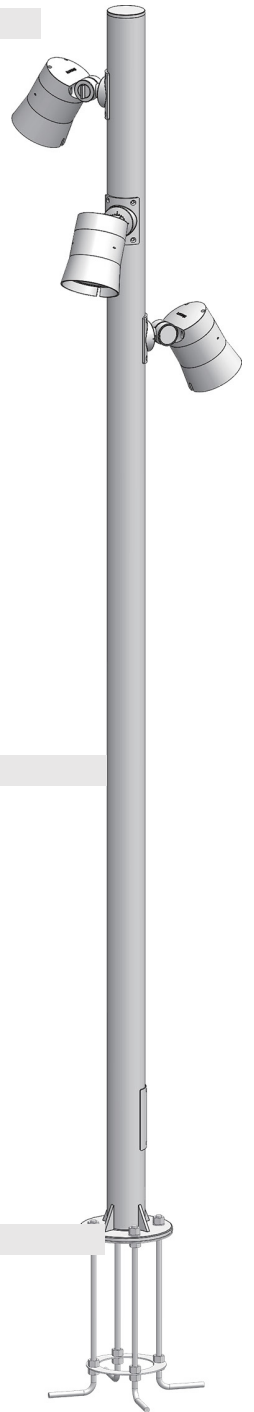
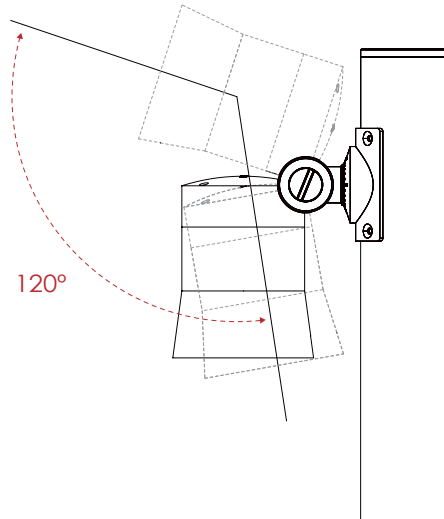
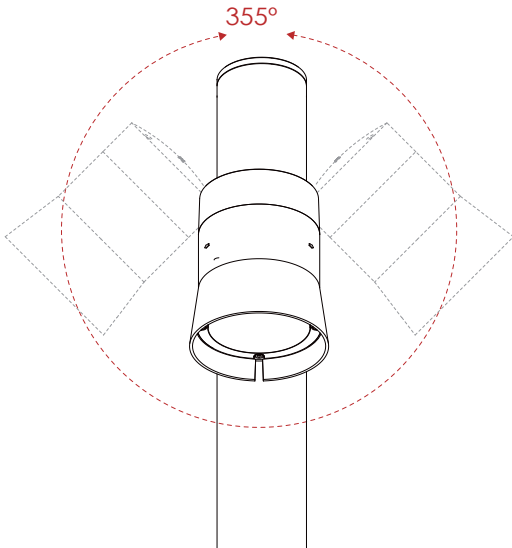


	Illuminance at a distance		Beam width	
	Center beam LUX	V	H	H
2m	3462.51 LUX	0.8m	0.8m	
4m	865.63 LUX	1.6m	1.6m	
6m	384.72 LUX	2.5m	2.4m	
8m	216.41 LUX	3.3m	3.3m	
10m	138.50 LUX	4.1m	4.1m	
12m	96.18 LUX	4.9m	4.9m	

Ver. Spread: 23.3 Horiz. Spread: 23

# Landscape / Street pole light B9CUC0373 @30W×3

## Adjustable Beam Direction



## Regular Painting Color

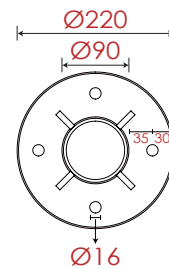
Basic

Sanded Grey  
KAL 7042

Secondary

Sanded Black  
RAL 9005

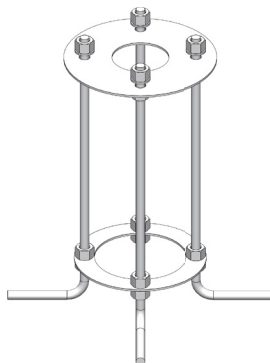
## Flag Base



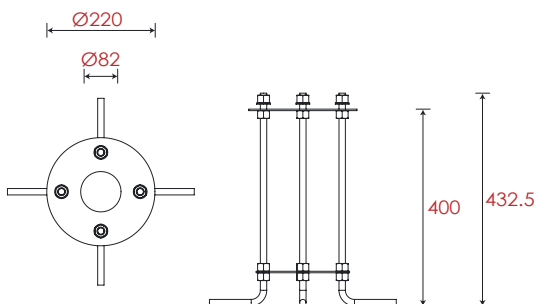
## Pole Dimension & Material

Diameter : Ø90mm  
Height : 3000mm (Customizeable)  
Material : Aluminum

## Accessories

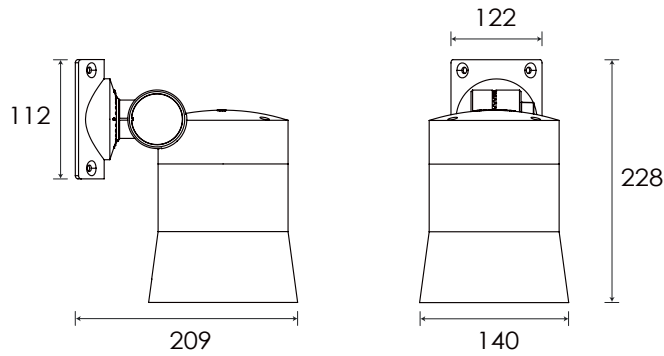
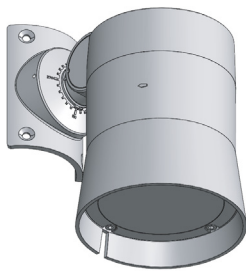


## Base Dimension



Item	Lens	The manufacturer selected lens degree(°)81/2	Input voltage(V)	Typical operating current(mA)	Typical consumption(W)	Typical luminance(lm)	IK rate
B9CUC0373	B57	25°	240	240V=130 × 3	30 × 3	2886 × 3	07

# Landscape / Street pole light B9CUR0173




## Specification

<b>Housing</b>	12# Die-Casting aluminum finishing or powder painting T=60-80μm. Adhesion of ISO class 1/ASTM class 4B	<b>LED Driver</b>	Constant Voltage Input, Constant Current Output
<b>Light Window</b>	Tempered Glass. T=3mm	<b>Power Cable</b>	Outside of luminaire 120V/240V: H05RN-F 3×1.0mm², L=4m
<b>Cable Gland</b>	IP68 PG-9 PA66	<b>Dimming Support</b>	TRIAC PWM Available 1-10V Dali Customized
<b>Gasket</b>	Tooling shaped seal	<b>Operating Restrict</b>	Temperature of environment between -20°C~40°C
<b>LED</b>	NICHIA		

## Lens

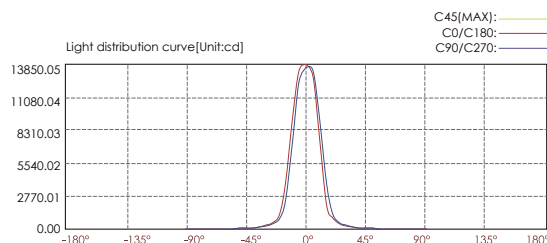
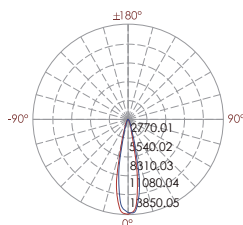
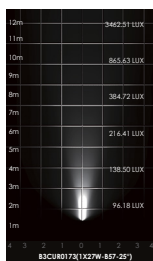
### Regular Painting Color

Basic	Secondary
 Sanded Grey KAL 7042	 Sanded Black RAL 9005

Item Code	Referenced Degree(°)θ1/2			
 B57	15°	25°	36°	60°

Item	Light Source	Lens	The manufacturer selected lens degree(°)θ1/2	Input voltage(V)	Typical operating current(mA)	Typical consumption(W)	Typical luminance(lm)	IK rate
B9CUR0173	27W	B57	25°	240	240V=130	30	2886	07

## Photometric



Lux distance curve

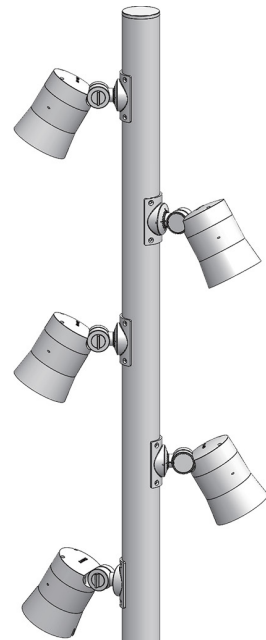
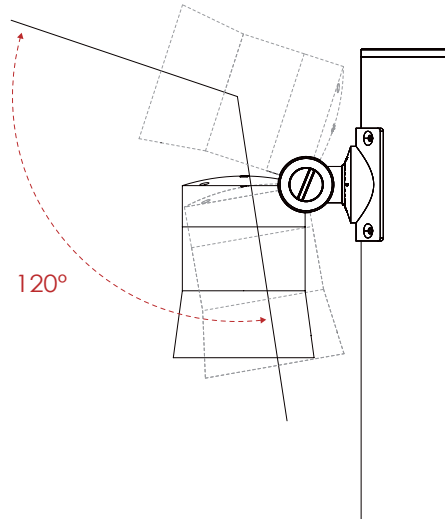
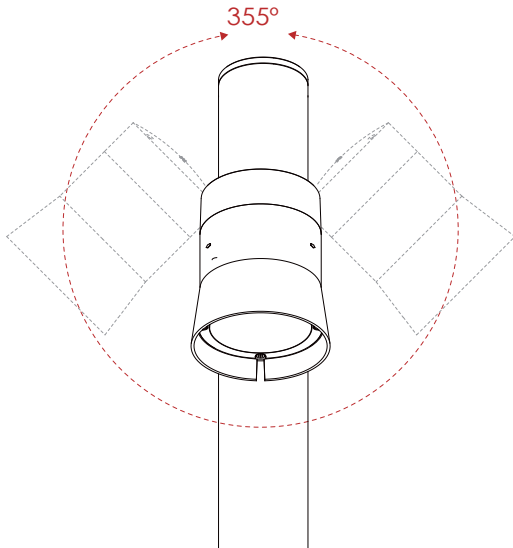
Distance (m)	Center beam LUX	Beam width V (m)	Beam width H (m)
2m	3462.51 LUX	0.8m	0.8m
4m	865.63 LUX	1.6m	1.6m
6m	384.72 LUX	2.5m	2.4m
8m	216.41 LUX	3.3m	3.3m
10m	138.50 LUX	4.1m	4.1m
12m	96.18 LUX	4.9m	4.9m

Ver.Spread:23.3 Horiz.Spread:23

# Landscape / Street pole light

## B9CUC0573 @30W×5

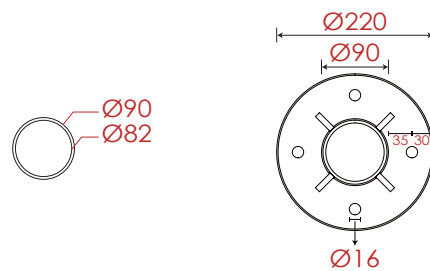
### Adjustable Beam Direction



### Regular Painting Color

Basic	Secondary
Sanded Grey KAL 7042	Sanded Black RAL 9005

### Flag Base

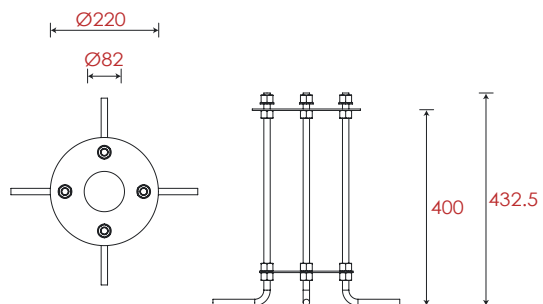
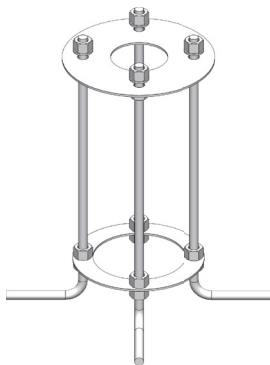


### Pole Dimension & Material

Diameter : Ø90mm  
Height : 3000mm (Customizeable)  
Material : Aluminum

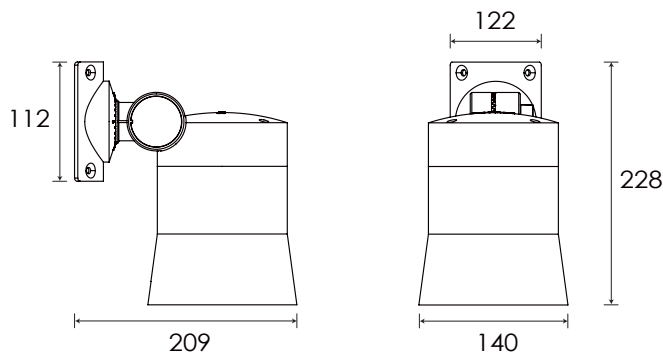
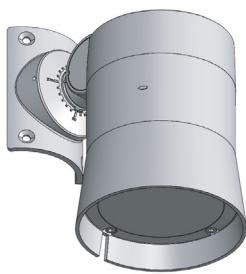
### Accessories

### Base Dimension



Item	Lens	The manufacturer selected lens degree(°)Ø1/2	Input voltage(V)	Typical operating current(mA)	Typical consumption(W)	Typical luminance(lm)	IK rate
B9CUC0573	B57	25°	240	240V=130 × 5	30 × 5	2886 × 5	07




# Landscape / Street pole light B9CUR0173



## Specification

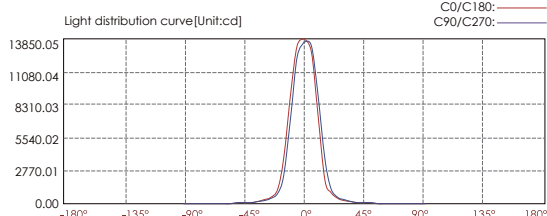
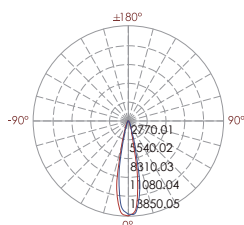
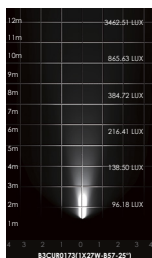
<b>Housing</b>	12# Die-Casting aluminum finishing or powder painting T=60-80μm.Adhesion of ISO class 1/ASTM class 4B	<b>LED Driver</b>	Constant Voltage Input, Constant Current Output
<b>Light Window</b>	Tempered Glass,T=3mm	<b>Power Cable</b>	Outside of luminaire 120V/240V: H05RN-F 3×1.0mm², L=4m
<b>Cable Gland</b>	IP68 PG-9 PA66	<b>Dimming Support</b>	TRIAC PWM Available 1-10V Dali Customized
<b>Gasket</b>	Tooling shaped seal	<b>Operating Restrict</b>	Temperature of environment between -20°C~40°C
<b>LED</b>	NICHIA		

## Lens

Regular Painting Color		Item Code	Referenced Degree(°)θ1/2			
Basic	Secondary	 B57	15°	25°	36°	60°
 Sanded Grey KAL 7042	 Sanded Black RAL 9005					

Item	Light Source	Lens	The manufacturer selected lens degree(°)θ1/2	Input voltage(V)	Typical operating current(mA)	Typical consumption(W)	Typical luminance(lm)	IK rate
B9CUR0173	27W	B57	25°	240	240V=130	30	2886	07

## Photometric



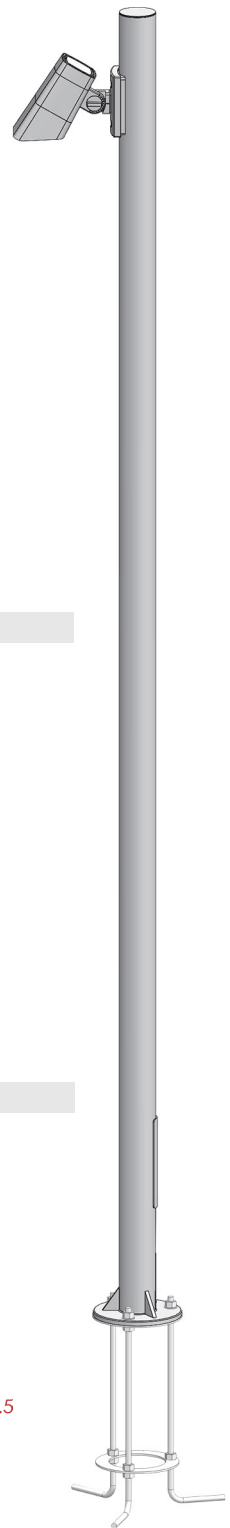
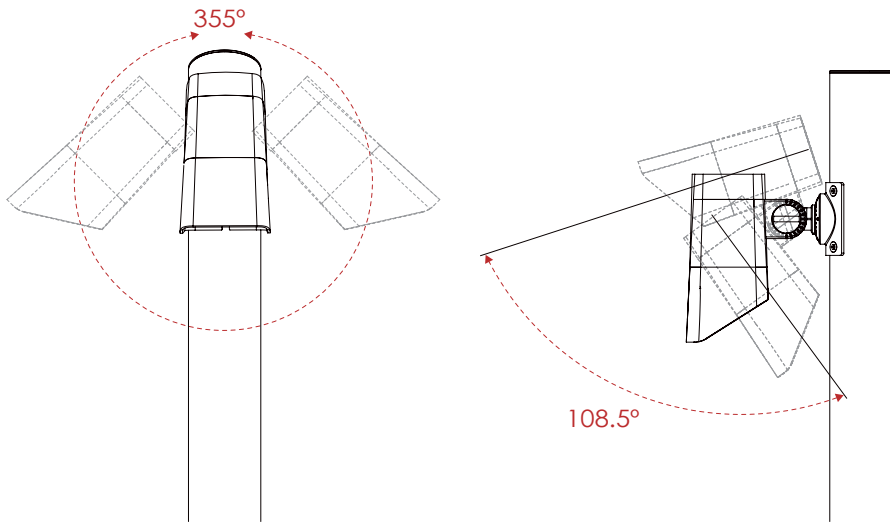
Lux distance curve

Distance (m)	Center beam LUX	Beam width V (m)	Beam width H (m)
2m	3462.51 LUX	0.8m	0.8m
4m	865.63 LUX	1.6m	1.6m
6m	384.72 LUX	2.5m	2.4m
8m	216.41 LUX	3.3m	3.3m
10m	138.50 LUX	4.1m	4.1m
12m	96.18 LUX	4.9m	4.9m

Ver.Spread:23.3 Horiz.Spread:23

# Landscape / Street pole light B9DVC0127 @10W

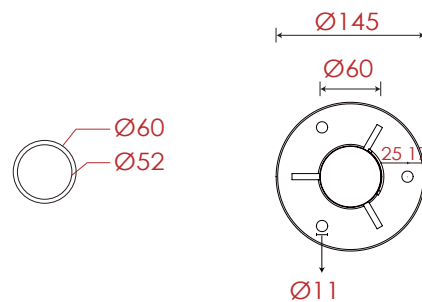
Adjustable Beam Direction



## Regular Painting Color

Basic	Secondary
Sanded Grey KAL 7042	Sanded Black RAL 9005

## Flag Base

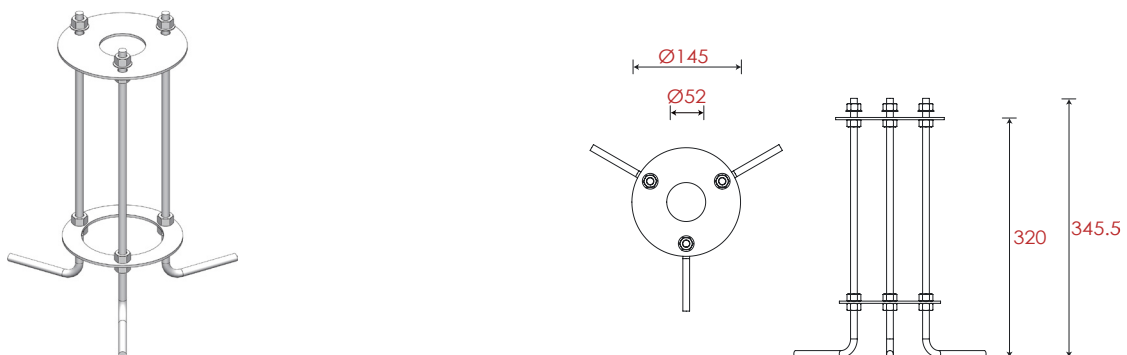


## Pole Dimension

Diameter : Ø60mm  
Height : 2200mm (Customizeable)  
Material : Aluminum

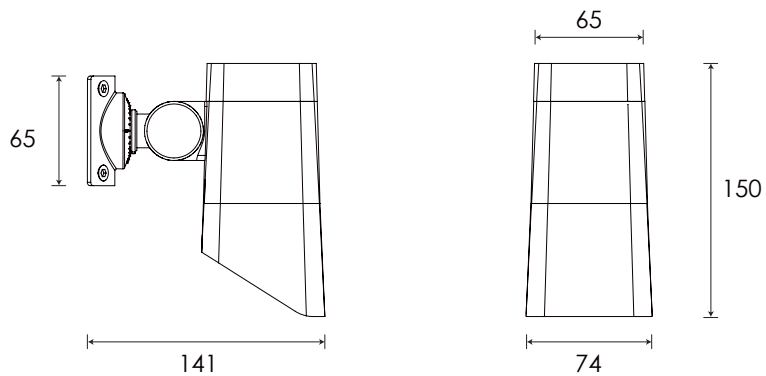
## Accessories

### Base Dimension



Item	Lens	The manufacturer selected lens degree(°)81/2	Input voltage(V)	Typical operating current(mA)	Typical consumption(W)	Typical luminance(lm)	IK rate
B9DVC0127	B71	24°	240	240V=45	10	792	07

# Landscape / Street pole light B9DVQ0127




## Specification

<b>Housing</b>	12# Die-Casting aluminum finishing or powder painting T=60-80μm.Adhesion of ISO class 1/ASTM class 4B.	<b>Power Cable</b>	Outside of luminaire 120V/240V: H05RN-F 3×1.0mm <sup>2</sup> , L=3m
<b>Light Window</b>	Tempered Glass.T=4mm	<b>Mounting Base</b>	Powder coated die-casting aluminum
<b>LED Driver</b>	Constant Voltage Input, Constant Current Output	<b>Dimming Support</b>	TRIAC PWM Available
<b>LED</b>	NICHIA	<b>Operating Restrict</b>	Temperature of environment between -20°C~40°C
<b>Lens</b>	Optical lens, efficiency≥85%		

## Regular Painting Color

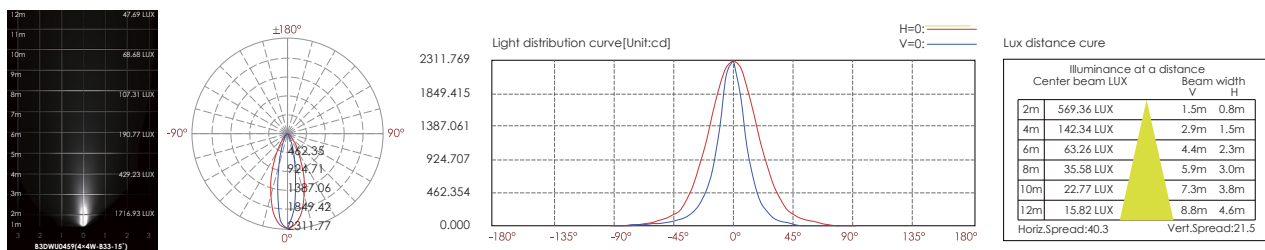
Basic	Secondary
 Sanded Grey KAL 7042	 Sanded Black RAL 9005

## Lens

Item Code	Referenced Degree(°)θ1/2				
 B71	15°	24°	33°	45°	60°

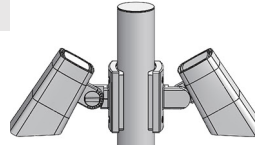
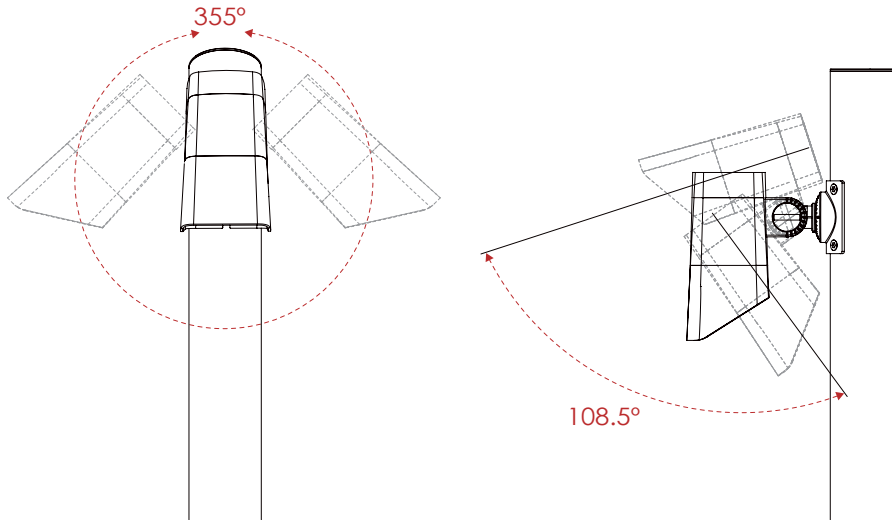
Item	Light Source	Lens	The manufacturer selected lens degree(°)θ1/2	Input voltage(V)	Typical operating current(mA)	Typical consumption(W)	Typical luminance(lm)	IK rate
B9DVQ0127	8W	B71	24°	240	240V=45	10	792	07

## Photometric



# Landscape / Street pole light B9DVC0227 @10W×2

## Adjustable Beam Direction



## Regular Painting Color

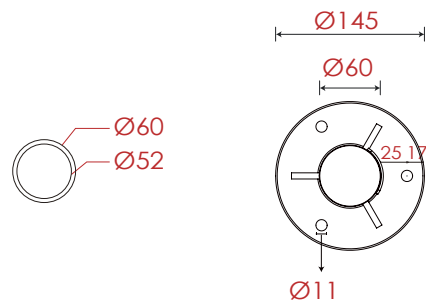
Basic

Sanded Grey  
KAL 7042

Secondary

Sanded Black  
RAL 9005

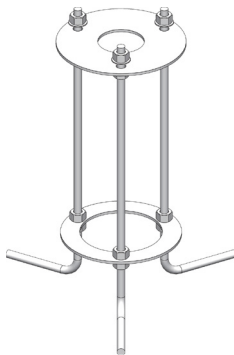
## Flag Base



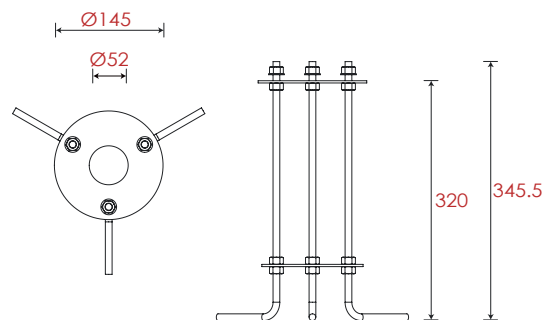
## Pole Dimension

Diameter : Ø60mm  
Height : 2200mm (Customizeable)  
Material : Aluminum

## Accessories



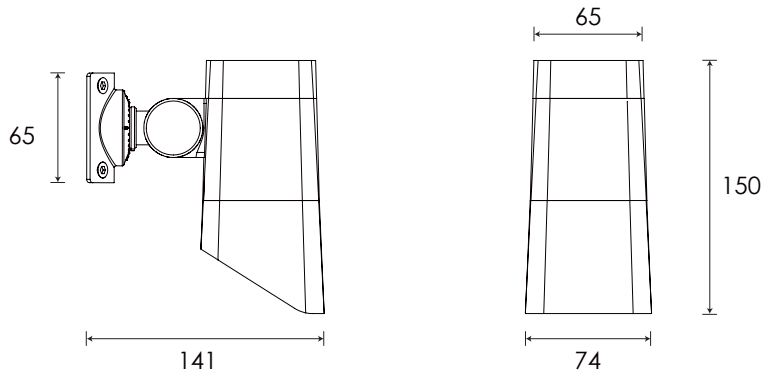
## Base Dimension



Item	Lens	The manufacturer selected lens degree(°)θ1/2	Input voltage(V)	Typical operating current(mA)	Typical consumption(W)	Typical luminance(lm)	IK rate
B9DVC0227	B71	24°	240	240V=45 × 2	10 × 2	792 × 2	07



# Landscape / Street pole light B9DVQ0127




## Specification

<b>Housing</b>	12# Die-Casting aluminum finishing or powder painting T=60-80μm.Ahesion of ISO class 1/ASTM class 4B.	<b>Power Cable</b>	Outside of luminaire 120V/240V: H05RN-F 3×1.0mm <sup>2</sup> , L=3m
<b>Light Window</b>	Tempered Glass.T=4mm	<b>Mounting Base</b>	Powder coated die-casting aluminum
<b>LED Driver</b>	Constant Voltage Input, Constant Current Output	<b>Dimming Support</b>	TRIAC PWM Available
<b>LED</b>	NICHIA	<b>Operating Restrict</b>	Temperature of environment between -20°C~40°C
<b>Lens</b>	Optical lens, efficiency≥85%		

## Lens

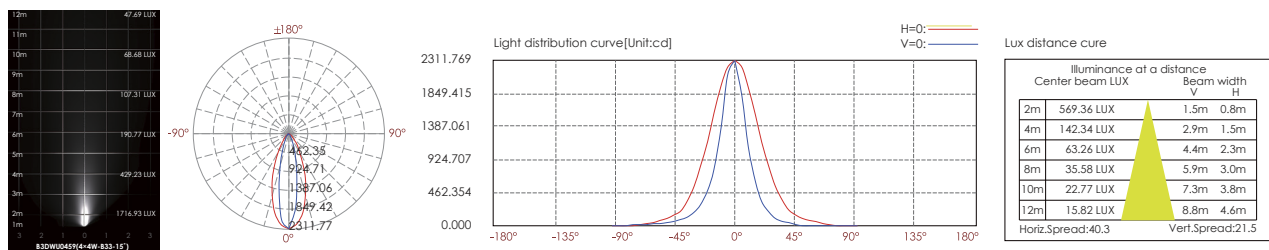
## Regular Painting Color

<b>Basic</b>	<b>Secondary</b>
Sanded Grey KAL 7042	Sanded Black RAL 9005

Item Code	Referenced Degree(°)θ1/2				
 B71	15°	24°	33°	45°	60°

Item	Light Source	Lens	The manufacturer selected lens degree(°)θ1/2	Input voltage(V)	Typical operating current(mA)	Typical consumption(W)	Typical luminance(lm)	IK rate
B9DVQ0127	8W	B71	24°	240	240V=45	10	792	07

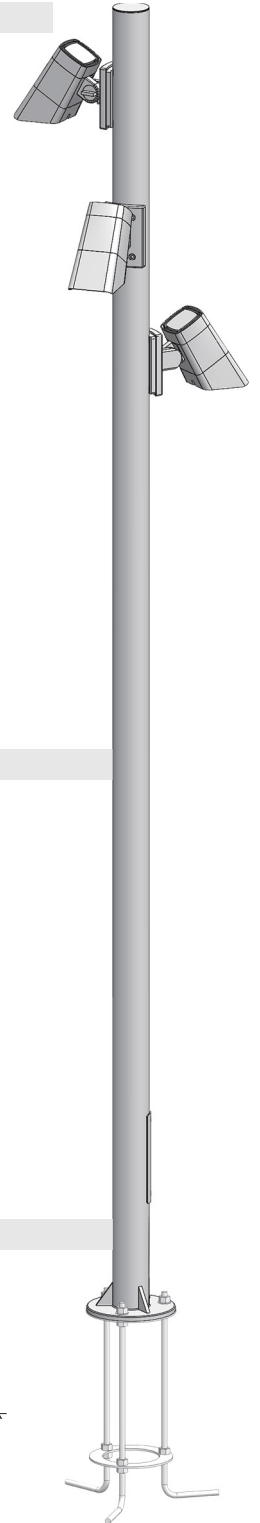
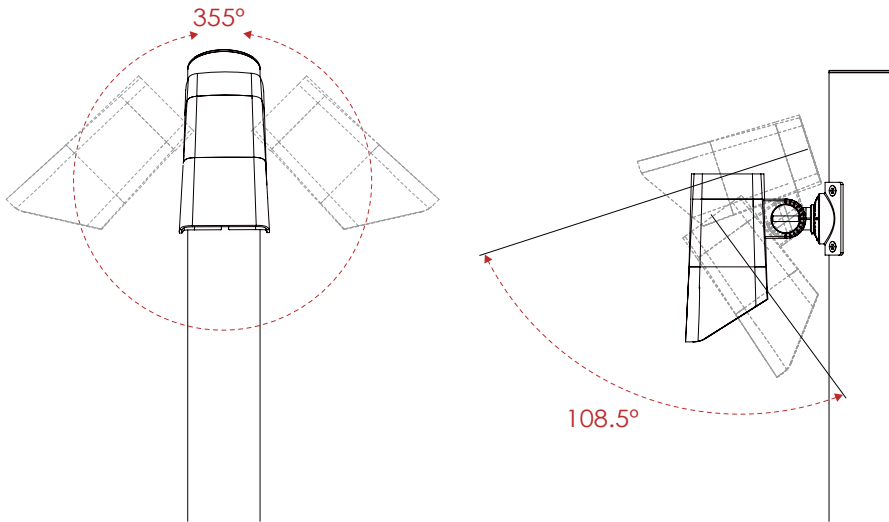
## Photometric



# Landscape / Street pole light

## B9DVC0327 @10W×3

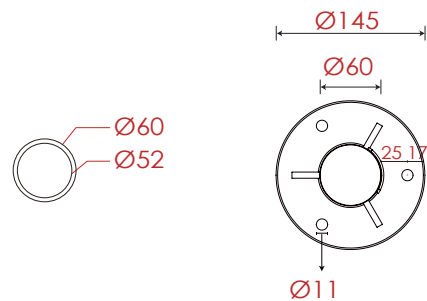
### Adjustable Beam Direction



### Regular Painting Color

Basic	Secondary
 Sanded Grey KAL 7042	 Sanded Black RAL 9005

### Flag Base

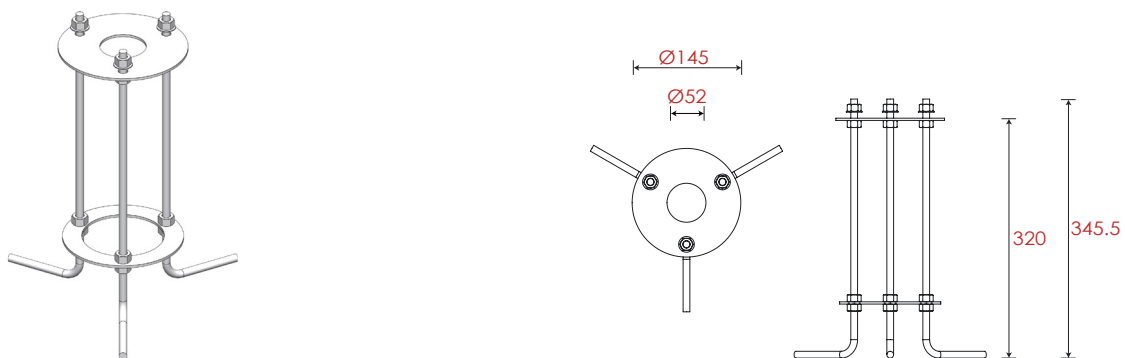


### Pole Dimension

Diameter : Ø60mm  
Height : 2200mm (Customizeable)  
Material : Aluminum

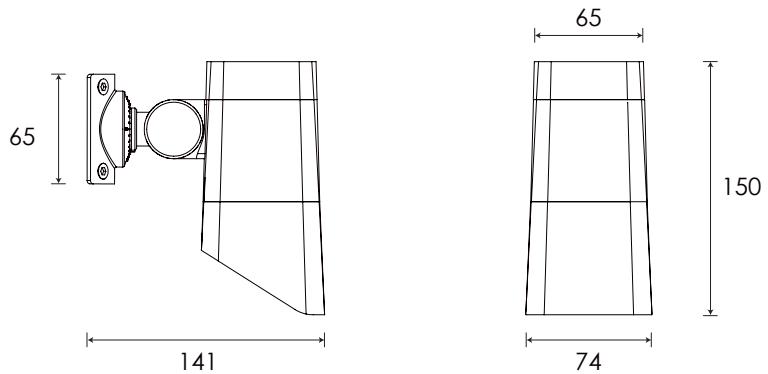
### Accessories

### Base Dimension



Item	Lens	The manufacturer selected lens degree(°)θ1/2	Input voltage(V)	Typical operating current(mA)	Typical consumption(W)	Typical luminance(lm)	IK rate
B9DVC0327	B71	24°	240	240V=45×3	10×3	792×3	07 66

# Landscape / Street pole light B9DVQ0127




## Specification

<b>Housing</b>	12# Die-Casting aluminum finishing or powder painting T=60-80μm. Adhesion of ISO class 1/ASTM class 4B.	<b>Power Cable</b>	Outside of luminaire 120V/240V: H05RN-F 3×1.0mm <sup>2</sup> , L=3m
<b>Light Window</b>	Tempered Glass. T=4mm	<b>Mounting Base</b>	Powder coated die-casting aluminum
<b>LED Driver</b>	Constant Voltage Input, Constant Current Output	<b>Dimming Support</b>	TRIAC PWM Available
<b>LED</b>	NICHIA	<b>Operating Restrict</b>	Temperature of environment between -20°C~40°C
<b>Lens</b>	Optical lens, efficiency ≥85%		

## Lens

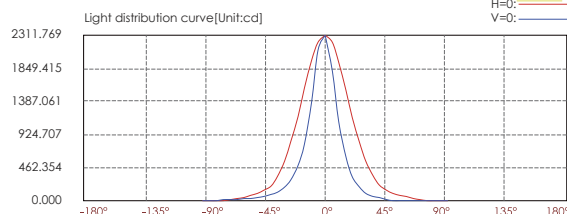
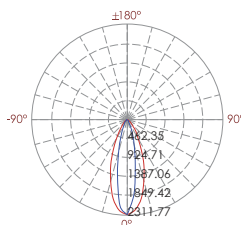
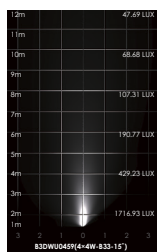
## Regular Painting Color

Basic	Secondary
Sanded Grey KAL 7042	Sanded Black RAL 9005

Item Code	Referenced Degree(°)θ1/2				
 B71	15°	24°	33°	45°	60°

Item	Light Source	Lens	The manufacturer selected lens degree(°)θ1/2	Input voltage(V)	Typical operating current(mA)	Typical consumption(W)	Typical luminance(lm)	IK rate
B9DVQ0127	8W	B71	24°	240	240V=45	10	792	07

## Photometric



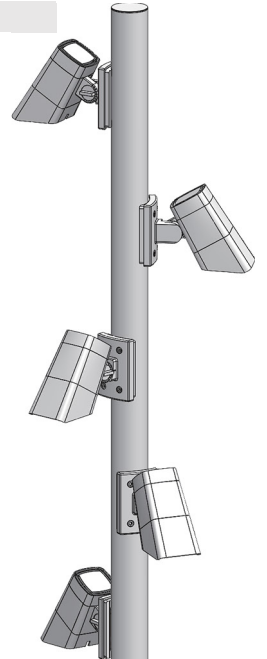
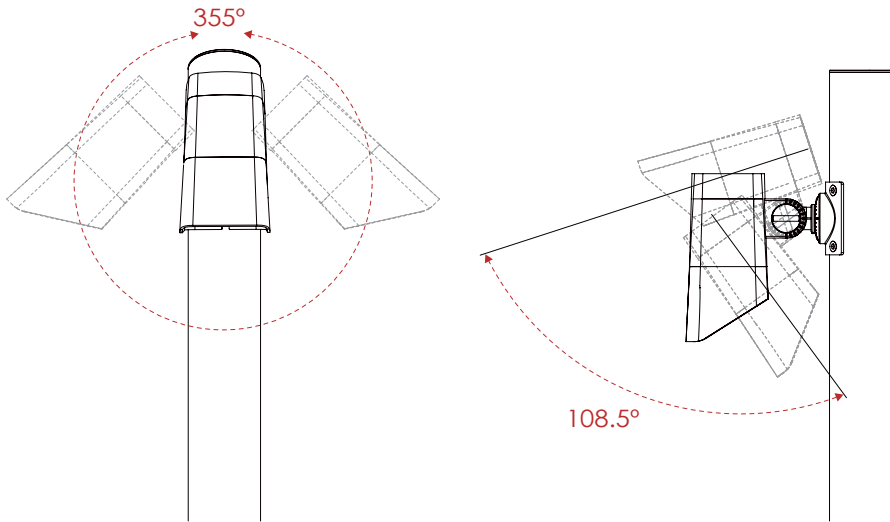
Illuminance at a distance			
Center beam LUX	Beam width		
	V	H	
2m	569.36 LUX	1.5m	0.8m
4m	142.34 LUX	2.9m	1.5m
6m	63.26 LUX	4.4m	2.3m
8m	35.58 LUX	5.9m	3.0m
10m	22.77 LUX	7.3m	3.8m
12m	15.82 LUX	8.8m	4.6m

Horiz. Spread: 40.3 Vert. Spread: 21.5

# Landscape / Street pole light

## B9DVC0527 @10W×5

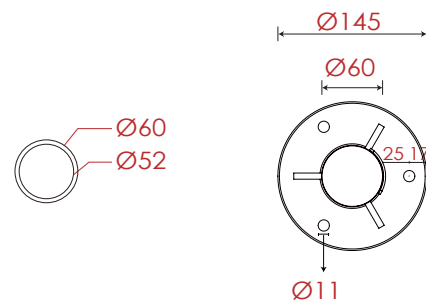
### Adjustable Beam Direction



### Regular Painting Color

Basic		Secondary	
	Sanded Grey KAL 7042		Sanded Black RAL 9005

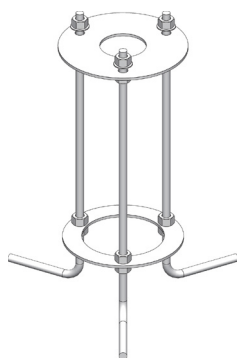
### Flag Base



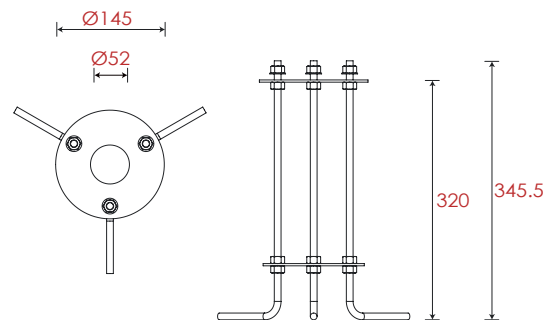
### Pole Dimension

Diameter : Ø60mm  
 Height : 2200mm (Customizeable)  
 Material : Aluminum

### Accessories

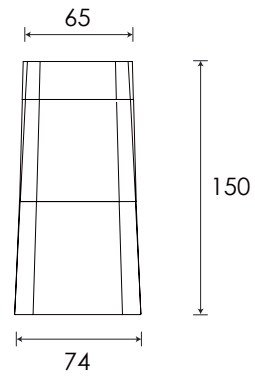
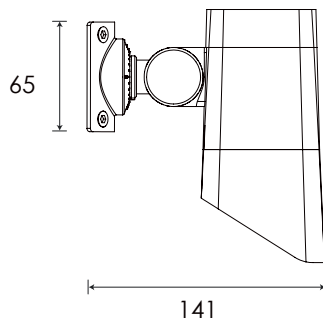


### Base Dimension



Item	Lens	The manufacturer selected lens degree(°)Ø1/2	Input voltage(V)	Typical operating current(mA)	Typical consumption(W)	Typical luminance(lm)	IK rate
B9DVC0527	B71	24°	240	240V=45 × 5	10 × 5	792 × 5	07 68

# Landscape / Street pole light B9DVQ0127




## Specification

<b>Housing</b>	12# Die-Casting aluminum finishing or powder painting T=60-80μm. Adhesion of ISO class 1/ASTM class 4B.	<b>Power Cable</b>	Outside of luminaire 120V/240V: H05RN-F 3×1.0mm <sup>2</sup> , L=3m
<b>Light Window</b>	Tempered Glass, T=4mm	<b>Mounting Base</b>	Powder coated die-casting aluminum
<b>LED Driver</b>	Constant Voltage Input, Constant Current Output	<b>Dimming Support</b>	TRIAC PWM Available
<b>LED</b>	NICHIA	<b>Operating Restrict</b>	Temperature of environment between -20°C~40°C
<b>Lens</b>	Optical lens, efficiency≥85%		

## Regular Painting Color

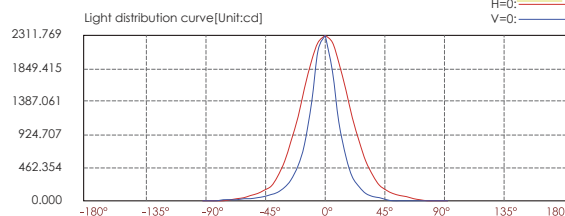
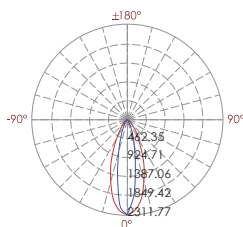
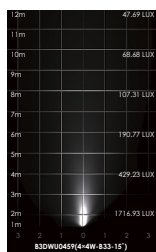
Basic	Secondary
Sanded Grey KAL 7042	Sanded Black RAL 9005

## Lens

Item Code	Referenced Degree(°)θ1/2				
 B71	15°	24°	33°	45°	60°

Item	Light Source	Lens	The manufacturer selected lens degree(°)θ1/2	Input voltage(V)	Typical operating current(mA)	Typical consumption(W)	Typical luminance(lm)	IK rate
B9DVQ0127	8W	B71	24°	240	240V=45	10	792	07

## Photometric

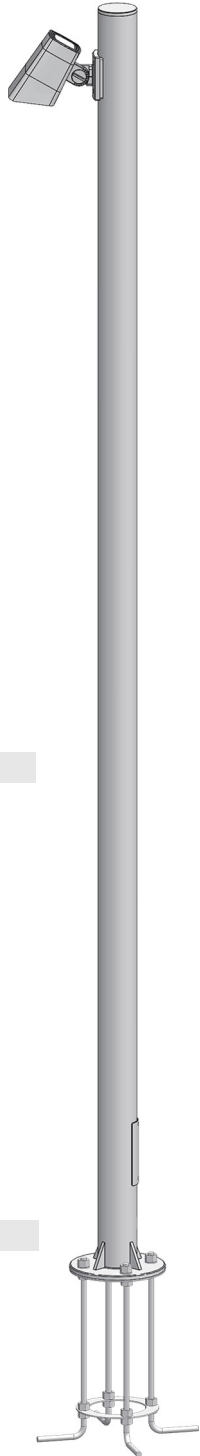
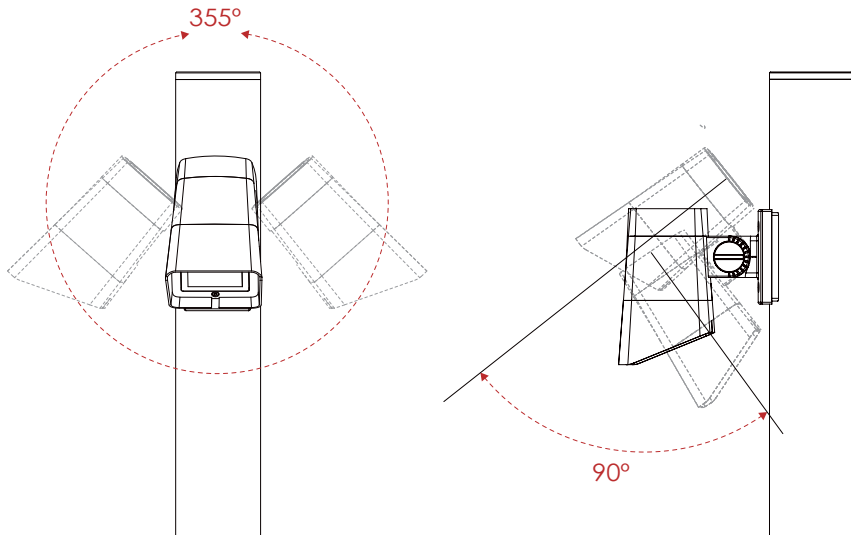


Illuminance at a distance				
	Center beam LUX	Beam width	V	H
2m	569.36 LUX	1.5m	0.8m	
4m	142.34 LUX	2.9m	1.5m	
6m	63.26 LUX	4.4m	2.3m	
8m	35.58 LUX	5.9m	3.0m	
10m	22.77 LUX	7.3m	3.8m	
12m	15.82 LUX	8.8m	4.6m	

Horiz. Spread: 40.3    Vert. Spread: 21.5

# Landscape / Street pole light B9DW-1-1 @17.4W

## Adjustable Beam Direction



## Regular Painting Color

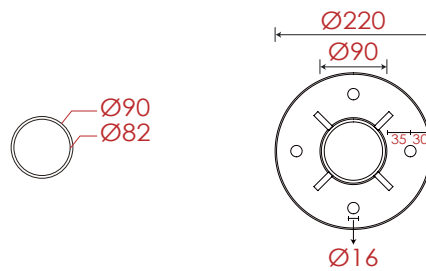
Basic

Sanded Grey  
KAL 7042

Secondary

Sanded Black  
RAL 9005

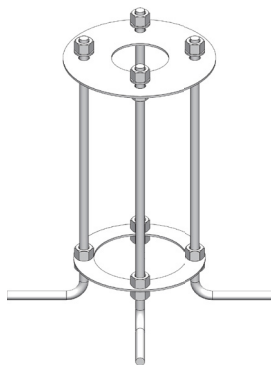
## Flag Base



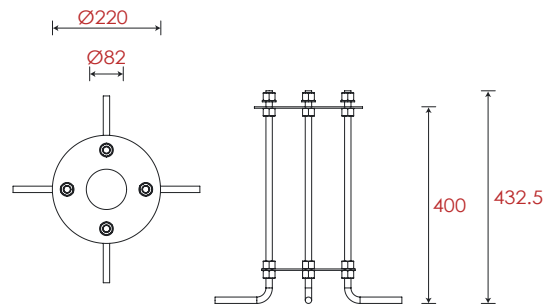
## Pole Dimension & Material

Diameter : Ø90mm  
Height : 3000mm (Customizeable)  
Material : Aluminum

## Accessories

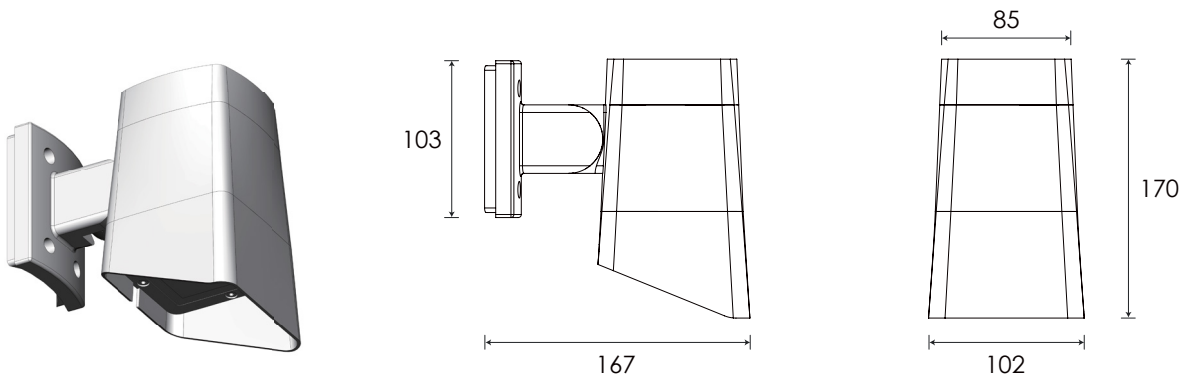


## Base Dimension



Item	Lens	The manufacturer selected lens degree(°)Ø1/2	Input voltage(V)	Typical operating current(mA)	Typical consumption(W)	Typical luminance(lm)	IK rate
B9DW-1-1	FB11B4	20°	120 / 240	120V=142 240V=78	17.4	1227	07

# Landscape / Street pole light B9DWQ0460



## Specification

<b>Housing</b>	12# Die-Casting aluminum finishing or powder painting T=60-80µm.Adhesion of ISO class 1/ASTM class 4B.	<b>Power Cable</b>	Outside of luminaire 120V/240V: H05RN-F 3×1.0mm², L=4m
<b>Light Window</b>	Tempered Glass.T=4mm	<b>Mounting Base</b>	Powder coated die-casting aluminum
<b>LED Driver</b>	Constant Voltage Input, Constant Current Output	<b>Dimming Support</b>	TRIAC PWM Available
<b>LED</b>	NICHIA	<b>Operating Restrict</b>	Temperature of environment between -20°C~40°C
<b>Lens</b>	Optical lens, efficiency≥85%		

## Lens

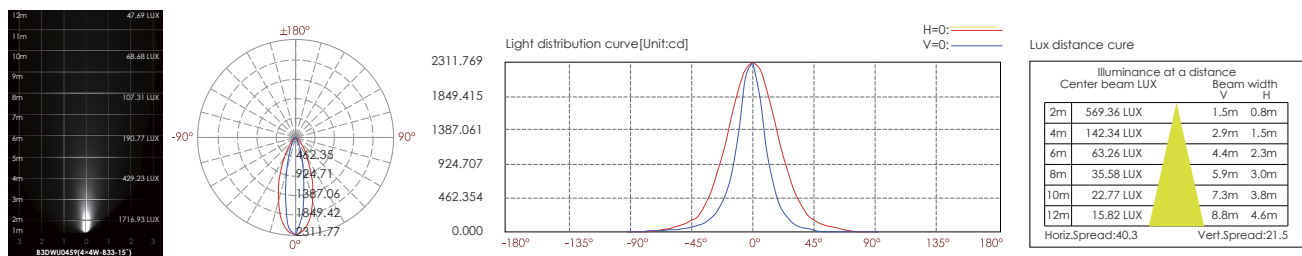
### Regular Painting Color

Basic	Secondary
Sanded Grey KAL 7042	Sanded Black RAL 9005

Item Code	Referenced Degree(°)θ1/2					
FB11B4	9°	15°	20°	30°	45°	60°

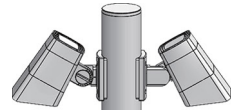
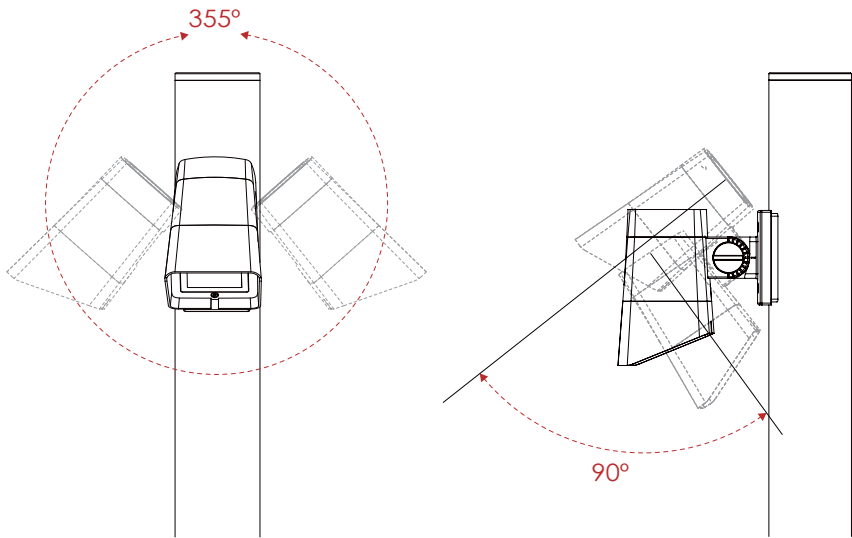
Item	Light Source	Lens	The manufacturer selected lens degree(°)θ1/2	Input voltage(V)	Typical operating current(mA)	Typical consumption(W)	Typical luminance(lm)	IK rate
B9DWQ0460	4 × 4W	FB11B4	20°	120 / 240	120V=142 240V=78	17.4	1227	07

## Photometric



# Landscape / Street pole light B9DW-2-1@17.4W×2

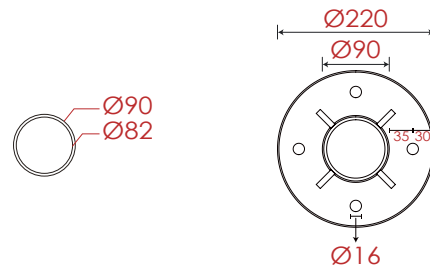
## Adjustable Beam Direction



## Regular Painting Color

Basic		Secondary	
	Sanded Grey KAL 7042		Sanded Black RAL 9005

## Flag Base

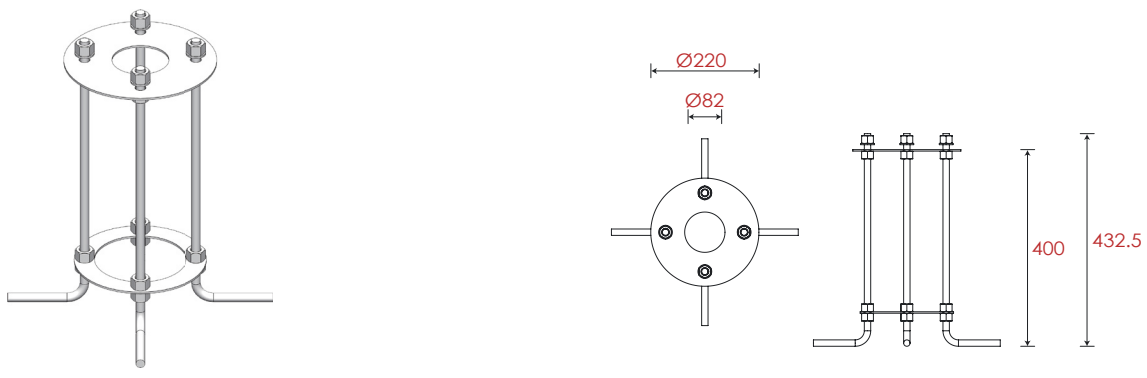


## Pole Dimension & Material

Diameter : Ø90mm  
Height : 3000mm (Customizeable)  
Material : Aluminum

## Accessories

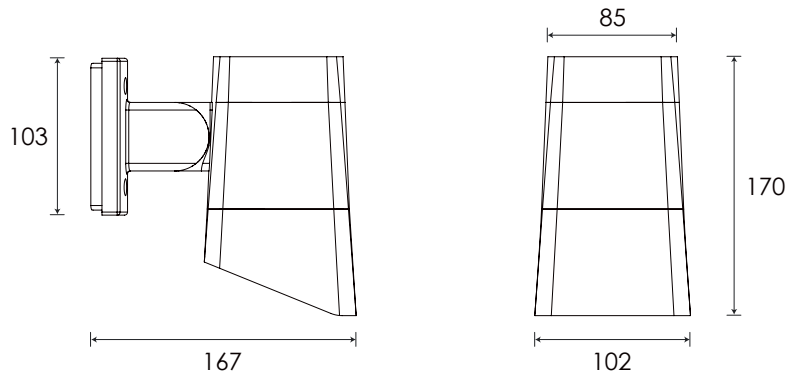
### Base Dimension



Item	Lens	The manufacturer selected lens degree(°)θ1/2	Input voltage(V)	Typical operating current(mA)	Typical consumption(W)	Typical luminance(lm)	IK rate
B9DW-2-1	FB11B4	20°	120 / 240	120V=142 × 2 240V=78 × 2	17.4 × 2	1227 × 2	07



# Landscape / Street pole light B9DWQ0460




## Specification

<b>Housing</b>	12# Die-Casting aluminum finishing or powder painting T=60-80μm.Adhesion of ISO class 1/ASTM class 4B.	<b>Power Cable</b>	Outside of luminaire 120V/240V: H05RN-F 3×1.0mm², L=4m
<b>Light Window</b>	Tempered Glass.T=4mm	<b>Mounting Base</b>	Powder coated die-casting aluminum
<b>LED Driver</b>	Constant Voltage Input, Constant Current Output	<b>Dimming Support</b>	TRIAC PWM Available
<b>LED</b>	NICHIA	<b>Operating Restrict</b>	Temperature of environment between -20°C~40°C
<b>Lens</b>	Optical lens, efficiency≥85%		

## Lens

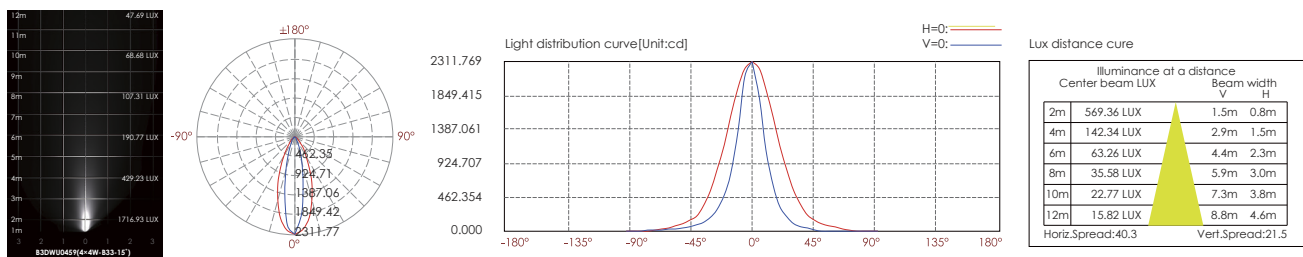
## Regular Painting Color

Basic	Secondary
 Sanded Grey KAL 7042	 Sanded Black RAL 9005

Item Code	Referenced Degree(°)θ1/2					
 FB11B4	9°	15°	20°	30°	45°	60°

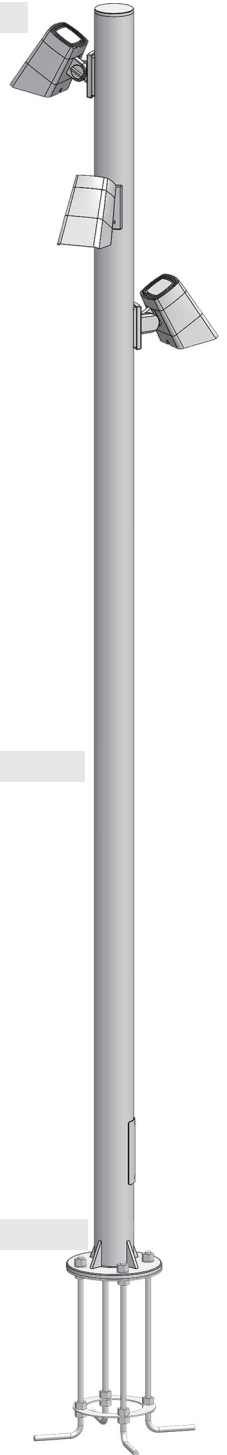
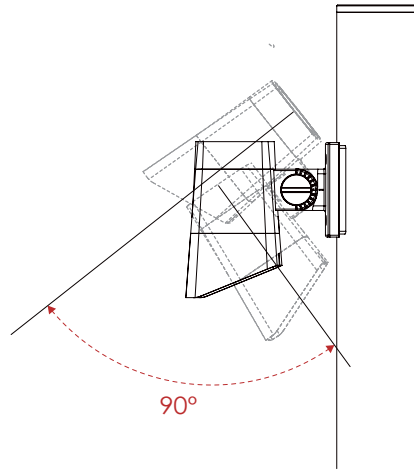
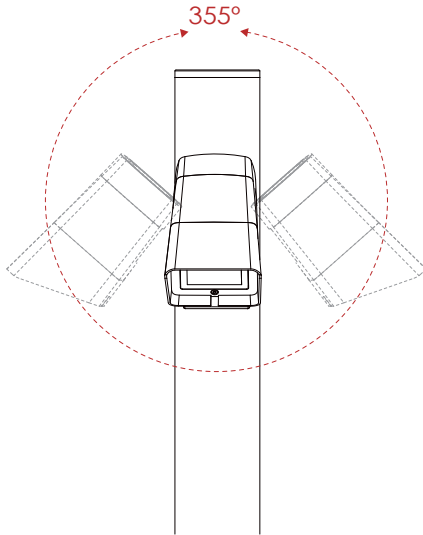
Item	Light Source	Lens	The manufacturer selected lens degree(°)θ1/2	Input voltage(V)	Typical operating current(mA)	Typical consumption(W)	Typical luminance(lm)	IK rate
B9DWQ0460	4 × 4W	FB11B4	20°	120 / 240	120V=142 240V=78	17.4	1227	07

## Photometric



# Landscape / Street pole light B9DW-3-1 @17.4W×3

## Adjustable Beam Direction



## Regular Painting Color

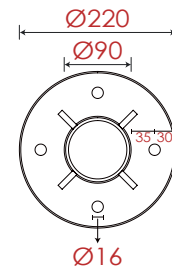
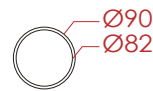
Basic

Sanded Grey  
RAL 7042

Secondary

Sanded Black  
RAL 9005

## Flag Base

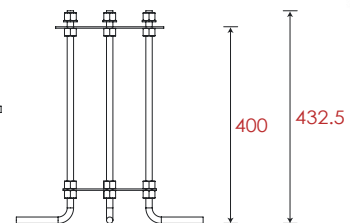
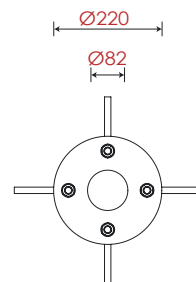
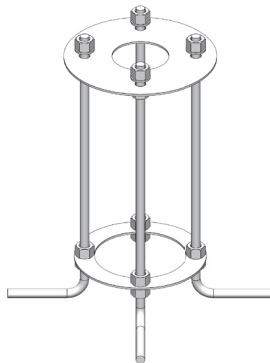


## Pole Dimension & Material

Diameter : Ø90mm  
Height : 3000mm (Customizeable)  
Material : Aluminum

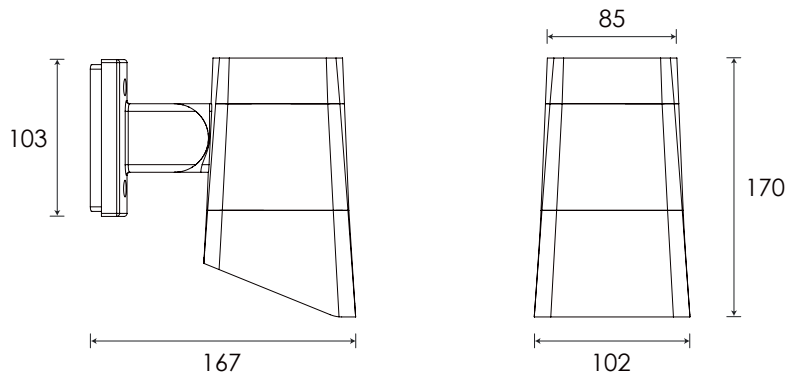
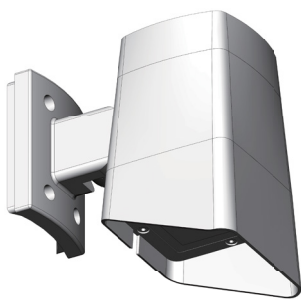
## Accessories

## Base Dimension



Item	Lens	The manufacturer selected lens degree(°)Ø1/2	Input voltage(V)	Typical operating current(mA)	Typical consumption(W)	Typical luminance(lm)	IK rate
B9DW-3-1	FB11B4	20°	120 / 240	120V=142 × 3 240V=78 × 3	17.4 × 3	1227 × 3	07

# Landscape / Street pole light B9DWQ0460




## Specification

<b>Housing</b>	12# Die-Casting aluminum finishing or powder painting T=60-80μm. Adhesion of ISO class 1/ASTM class 4B.	<b>Power Cable</b>	Outside of luminaire 120V/240V: H05RN-F 3×1.0mm², L=4m
<b>Light Window</b>	Tempered Glass.T=4mm	<b>Mounting Base</b>	Powder coated die-casting aluminum
<b>LED Driver</b>	Constant Voltage Input, Constant Current Output	<b>Dimming Support</b>	TRIAC PWM Available
<b>LED</b>	NICHIA	<b>Operating Restrict</b>	Temperature of environment between -20°C~40°C
<b>Lens</b>	Optical lens, efficiency≥85%		

## Regular Painting Color

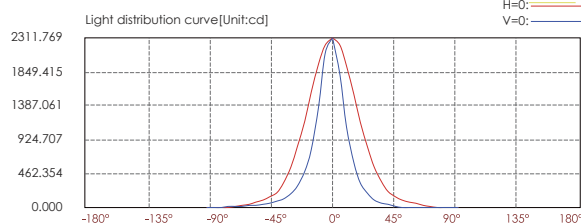
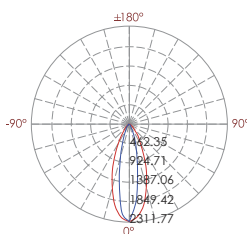
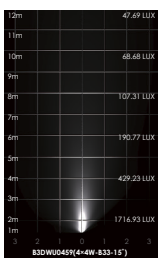
Basic	Secondary
Sanded Grey KAL 7042	Sanded Black RAL 9005

## Lens

Item Code	Referenced Degree(°)θ1/2					
 FB11B4	9°	15°	20°	30°	45°	60°

Item	Light Source	Lens	The manufacturer selected lens degree(°)θ1/2	Input voltage(V)	Typical operating current(mA)	Typical consumption(W)	Typical luminance(lm)	IK rate
<b>B9DWQ0460</b>	4 × 4W	FB11B4	20°	120 / 240	120V=142 240V=78	17.4	1227	07

## Photometric



Lux distance curve

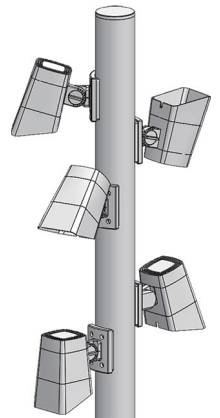
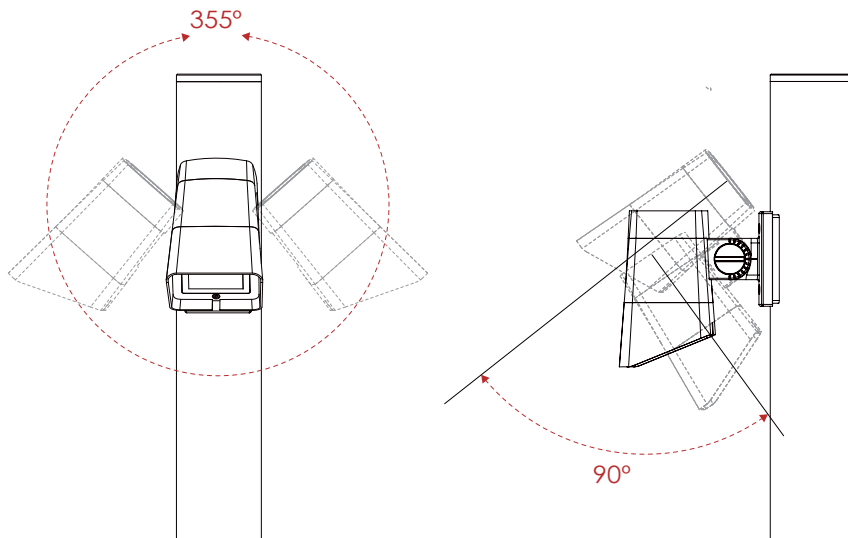
Center beam LUX	Beam width	
	V	H
2m	569.36 LUX	1.5m 0.8m
4m	142.34 LUX	2.9m 1.5m
6m	63.26 LUX	4.4m 2.3m
8m	35.58 LUX	5.9m 3.0m
10m	22.77 LUX	7.3m 3.8m
12m	15.82 LUX	8.8m 4.6m

Horiz.Spread:40.3 Vert.Spread:21.5

# Landscape / Street pole light

## B9DW-5-1 @17.4W×5

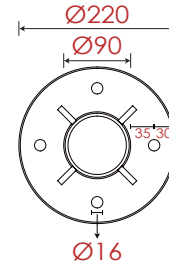
### Adjustable Beam Direction



### Regular Painting Color

Basic		Secondary	
	Sanded Grey RAL 7042		Sanded Black RAL 9005

### Flag Base

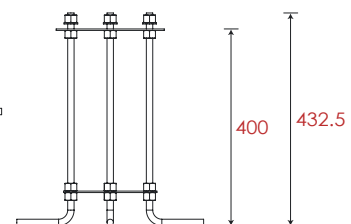
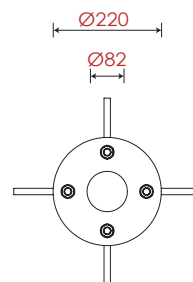
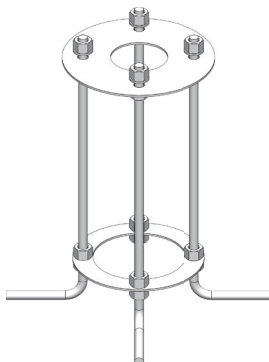


### Pole Dimension & Material

Diameter : Ø90mm  
 Height : 3000mm (Customizeable)  
 Material : Aluminum

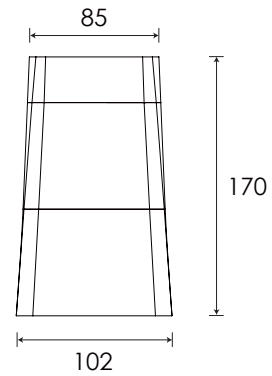
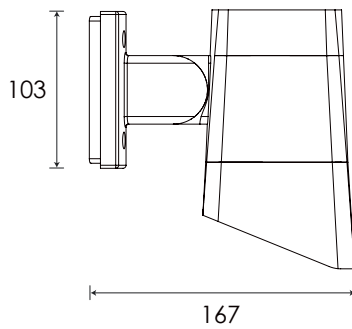
### Accessories

### Base Dimension



Item	Lens	The manufacturer selected lens degree(°)Ø1/2	Input voltage(V)	Typical operating current(mA)	Typical consumption(W)	Typical luminance(lm)	IK rate
B9DW-5-1	FB11B4	20°	120 / 240	120V=142 × 5 240V=78 × 5	17.4 × 5	1227 × 5	07

# Landscape / Street pole light B9DWQ0460



## Specification

<b>Housing</b>	12# Die-Casting aluminum finishing or powder painting T=60-80μm. Adhesion of ISO class 1/ASTM class 4B.	<b>Power Cable</b>	Outside of luminaire 120V/240V: H05RN-F 3×1.0mm <sup>2</sup> , L=4m
<b>Light Window</b>	Tempered Glass.T=4mm	<b>Mounting Base</b>	Powder coated die-casting aluminum
<b>LED Driver</b>	Constant Voltage Input, Constant Current Output	<b>Dimming Support</b>	TRIAC PWM Available
<b>LED</b>	NICHIA	<b>Operating Restrict</b>	Temperature of environment between -20°C~40°C
<b>Lens</b>	Optical lens, efficiency≥85%		

## Lens

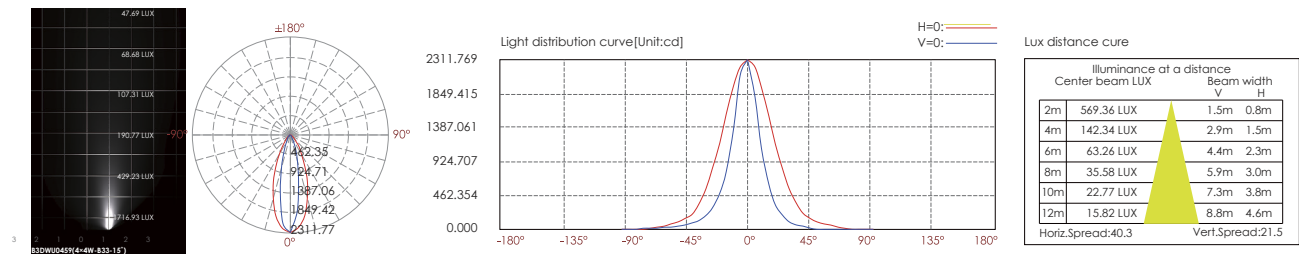
## Regular Painting Color

Basic	Secondary
Sanded Grey KAL 7042	Sanded Black RAL 9005

Item Code	Referenced Degree(°)θ1/2					
FB11B4	9°	15°	20°	30°	45°	60°

Item	Light Source	Lens	The manufacturer selected lens degree(°)θ1/2	Input voltage(V)	Typical operating current(mA)	Typical consumption(W)	Typical luminance(lm)	IK rate
B9DWQ0460	4 × 4W	FB11B4	20°	120 / 240	120V=142 240V=78	17.4	1227	07

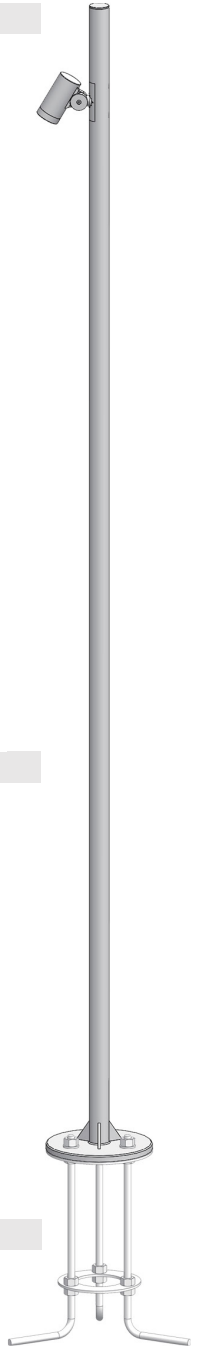
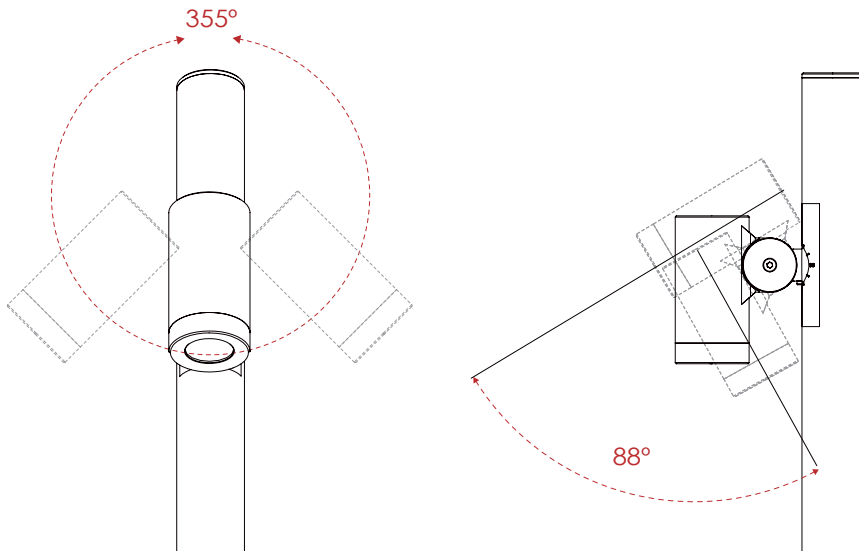
## Photometric



# Landscape / Street pole light

## B9ZAC0156 @1.2W

### Adjustable Beam Direction



### Regular Painting Color

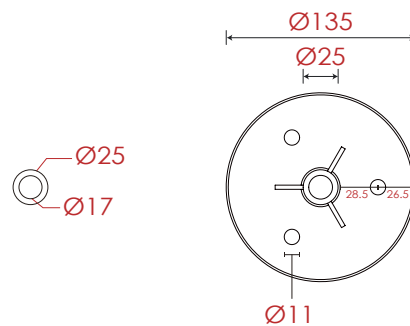
Basic

Sanded Grey  
KAL 7042

Secondary

Sanded Black  
RAL 9005

### Flag Base

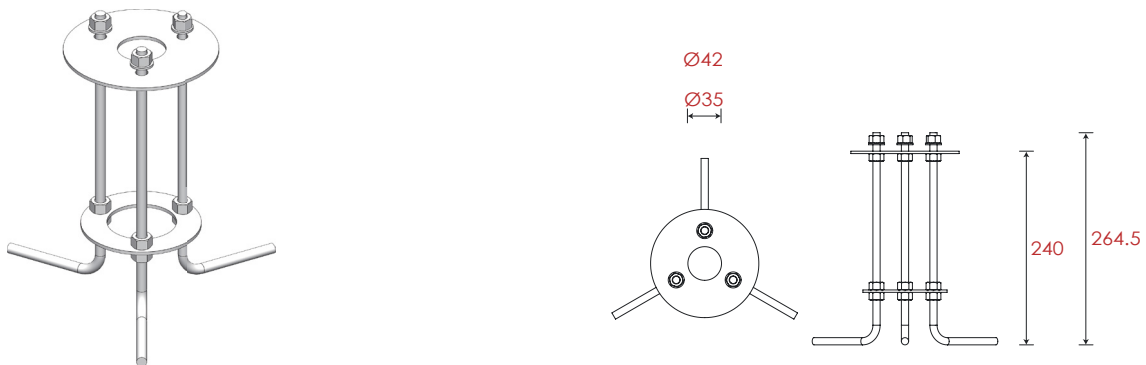


### Pole Dimension & Material

Diameter : Ø25mm  
Height : 1500mm (Customizeable)  
Material : Aluminum

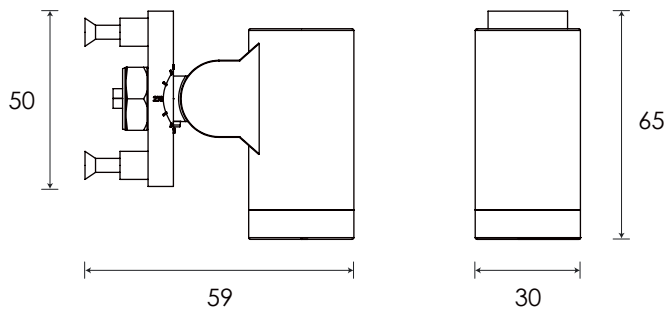
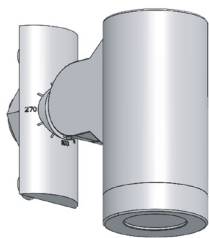
### Accessories

### Base Dimension



Item	Lens	The manufacturer selected lens degree(°)Ø1/2	Input voltage(V)	Typical operating current(mA)	Typical consumption(W)	Typical luminance(lm)	IK rate
B9ZAC0156	B17	30°	24	24V=48	1.2	100	07 78

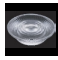


# Landscape / Street pole light B9ZAR0156



## Specification

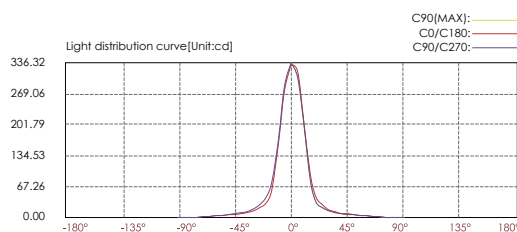
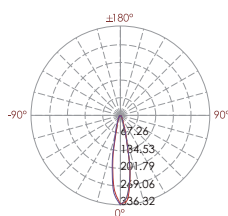
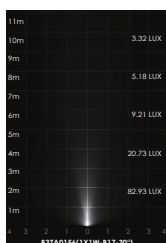
<b>Housing</b>	12# Die-Casting aluminum finishing or powder painting T=60-80μm. Adhesion of ISO class 1/ASTM class 4B.	<b>Power Cable</b>	Outside of luminaire 120V/240V: H05RN-F 3×1.0mm <sup>2</sup> , L=2m
<b>Light Window</b>	Tempered Glass.T=4mm	<b>Mounting Base</b>	Powder coated die-casting aluminum
<b>LED Driver</b>	Constant Voltage Input, Constant Current Output	<b>Dimming Support</b>	TRIAC PWM Available
<b>LED</b>	NICHIA	<b>Operating Restrict</b>	Temperature of environment between -20°C~40°C
<b>Lens</b>	Optical lens, efficiency≥85%		

## Lens

Regular Painting Color		Item Code	Referenced Degree(°)θ1/2			
Basic	Secondary	 B17	15°	20°	30°	45°
 Sanded Grey KAL 7042	 Sanded Black RAL 9005					

Item	Light Source	Lens	The manufacturer selected lens degree(°)θ1/2	Input voltage(V)	Typical operating current(mA)	Typical consumption(W)	Typical luminance(lm)	IK rate
B9ZAR0156	1 × 1W	B17	30°	24	24V=48	1.2	100	07

## Photometric

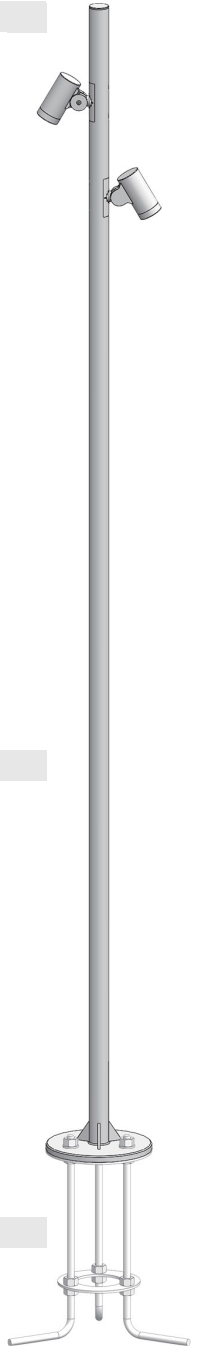
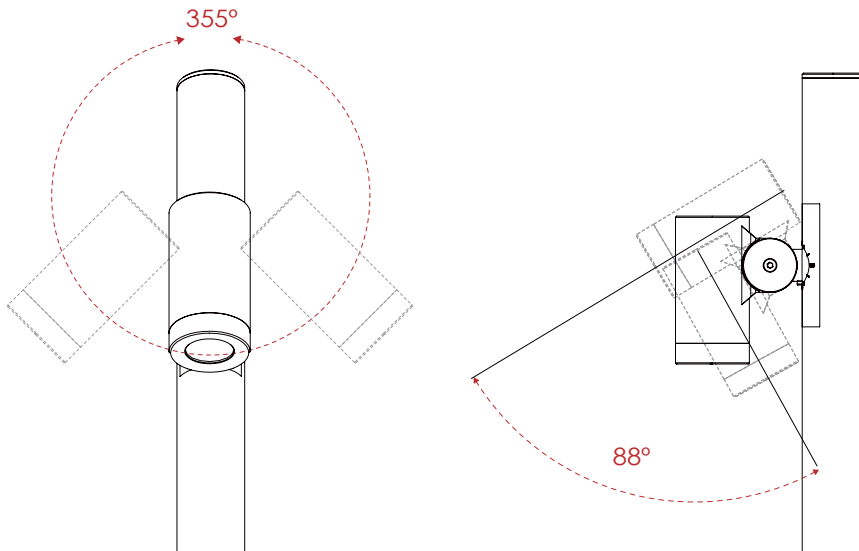


Center beam LUX	Beam width V	Beam width H
2m 82.93 LUX	0.8m	0.8m
4m 20.73 LUX	1.5m	1.5m
6m 9.21 LUX	2.3m	2.3m
8m 5.18 LUX	3.1m	3.1m
10m 3.32 LUX	3.8m	3.8m
12m 2.30 LUX	4.6m	4.6m

Ver.Spread:21.7 Horiz.Spread:21.7

# Landscape / Street pole light B9ZAC0256 @1.2W×2

## Adjustable Beam Direction



## Regular Painting Color

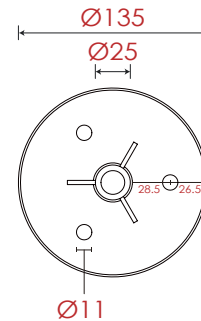
Basic

Sanded Grey  
RAL 7042

Secondary

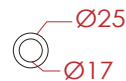
Sanded Black  
RAL 9005

## Flag Base



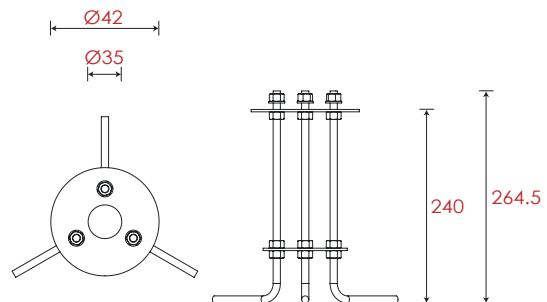
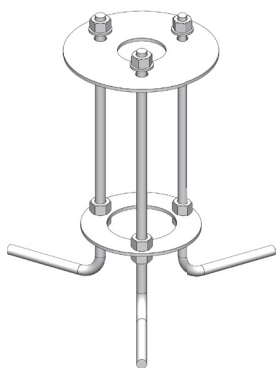
## Pole Dimension & Material

Diameter : Ø25mm  
Height : 1500mm (Customizeable)  
Material : Aluminum



## Accessories

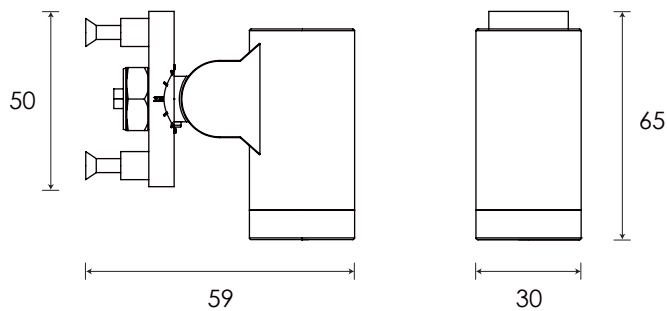
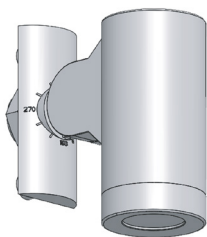
## Base Dimension



Item	Lens	The manufacturer selected lens degree(°)Ø1/2	Input voltage(V)	Typical operating current(mA)	Typical consumption(W)	Typical luminance(lm)	IK rate
B9ZAC0256	B17	30°	24	24V=48 × 2	1.2 × 2	100 × 2	07 80



# Landscape / Street pole light B9ZAR0156



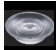
## Specification

<b>Housing</b>	12# Die-Casting aluminum finishing or powder painting T=60-80μm.Adhesion of ISO class 1/ASTM class 4B.	<b>Power Cable</b>	Outside of luminaire 120V/240V: H05RN-F 3×1.0mm <sup>2</sup> , L=2m
<b>Light Window</b>	Tempered Glass.T=4mm	<b>Mounting Base</b>	Powder coated die-casting aluminum
<b>LED Driver</b>	Constant Voltage Input, Constant Current Output	<b>Dimming Support</b>	TRIAC PWM Available
<b>LED</b>	NICHIA	<b>Operating Restrict</b>	Temperature of environment between -20°C~40°C
<b>Lens</b>	Optical lens, efficiency≥85%		

## Lens

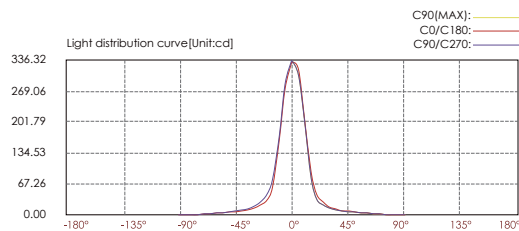
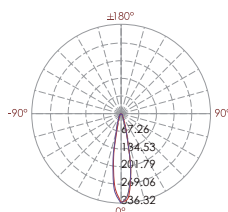
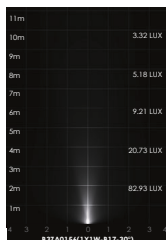
## Regular Painting Color

Basic	Secondary
Sanded Grey KAL 7042	Sanded Black RAL 9005

Item Code	Referenced Degree(°)θ1/2			
 B17	15°	20°	30°	45°

Item	Light Source	Lens	The manufacturer selected lens degree(°)θ1/2	Input voltage(V)	Typical operating current(mA)	Typical consumption(W)	Typical luminance(lm)	IK rate
B9ZAR0156	1 × 1W	B17	30°	24	24V=48	1.2	100	07

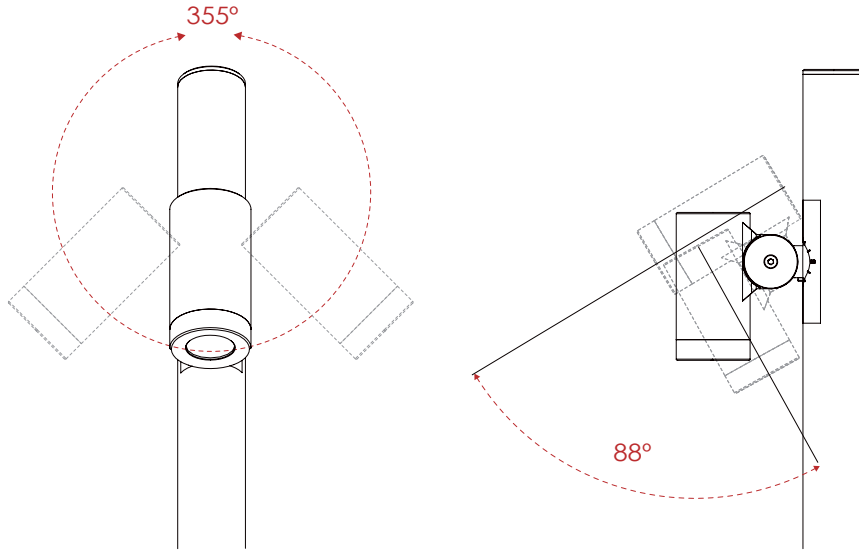
## Photometric



Distance (m)	Illuminance of a distance		Beam width	
	Center beam LUX	Beam width V	H	H
2m	82.93 LUX	0.8m	0.8m	0.8m
4m	20.73 LUX	1.5m	1.5m	1.5m
6m	9.021 LUX	2.3m	2.3m	2.3m
8m	5.18 LUX	3.1m	3.1m	3.1m
10m	3.32 LUX	3.8m	3.8m	3.8m
12m	2.30 LUX	4.6m	4.6m	4.6m

# Landscape / Street pole light B9ZAC0356 @1.2W×3

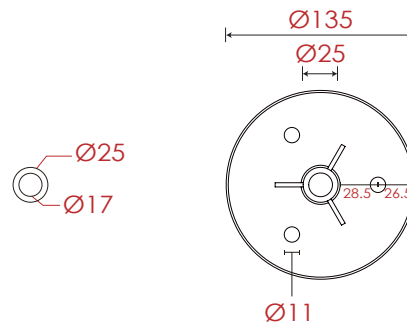
## Adjustable Beam Direction



## Regular Painting Color

Basic		Secondary	
	Sanded Grey KAL 7042		Sanded Black RAL 9005

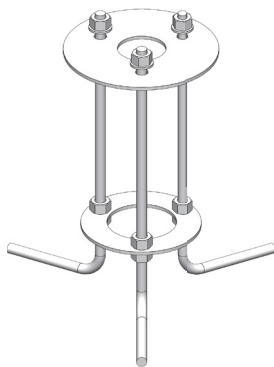
## Flag Base



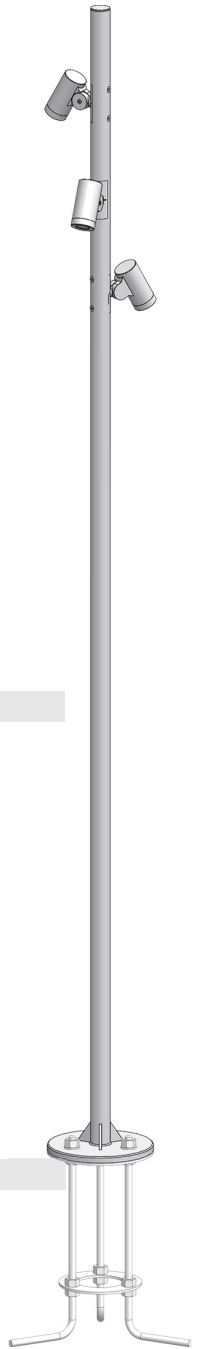
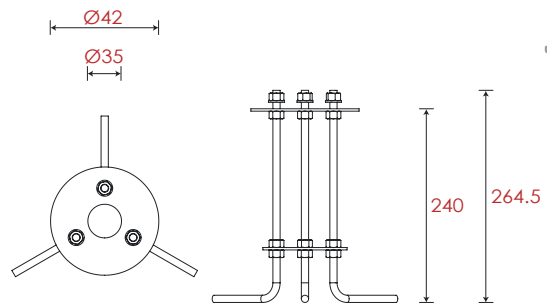
## Pole Dimension & Material

Diameter : Ø25mm  
Height : 1500mm (Customizeable)  
Material : Aluminum

## Accessories

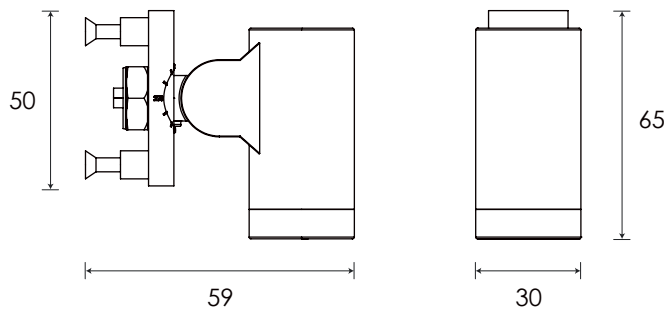
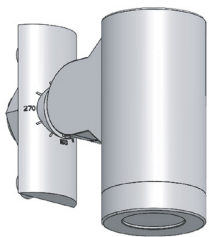


## Base Dimension



Item	Lens	The manufacturer selected lens degree(°)Ø1/2	Input voltage(V)	Typical operating current(mA)	Typical consumption(W)	Typical luminance(lm)	IK rate
B9ZAC0356	B17	30°	24	24V=48 × 3	1.2 × 3	100 × 3	07

# Landscape / Street pole light B9ZAR0156



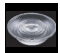
## Specification

<b>Housing</b>	12# Die-Casting aluminum finishing or powder painting T=60-80μm. Adhesion of ISO class 1/ASTM class 4B.	<b>Power Cable</b>	Outside of luminaire 120V/240V: H05RN-F 3×1.0mm <sup>2</sup> , L=2m
<b>Light Window</b>	Tempered Glass.T=4mm	<b>Mounting Base</b>	Powder coated die-casting aluminum
<b>LED Driver</b>	Constant Voltage Input, Constant Current Output	<b>Dimming Support</b>	TRIAC PWM Available
<b>LED</b>	NICHIA	<b>Operating Restrict</b>	Temperature of environment between -20°C-40°C
<b>Lens</b>	Optical lens, efficiency≥85%		

## Lens

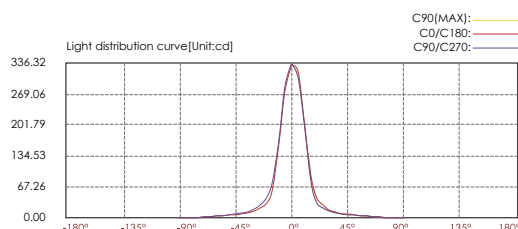
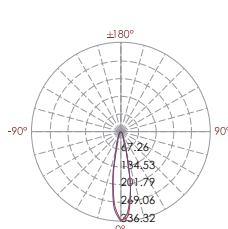
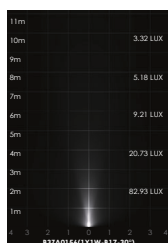
## Regular Painting Color

Basic	Secondary
 Sanded Grey KAL 7042	 Sanded Black RAL 9005

Item Code	Referenced Degree(°)θ1/2			
 B17	15°	20°	30°	45°

Item	Light Source	Lens	The manufacturer selected lens degree(°)θ1/2	Input voltage(V)	Typical operating current(mA)	Typical consumption(W)	Typical luminance(lm)	IK rate
B9ZAR0156	1 × 1W	B17	30°	24	24V=48	1.2	100	07

## Photometric



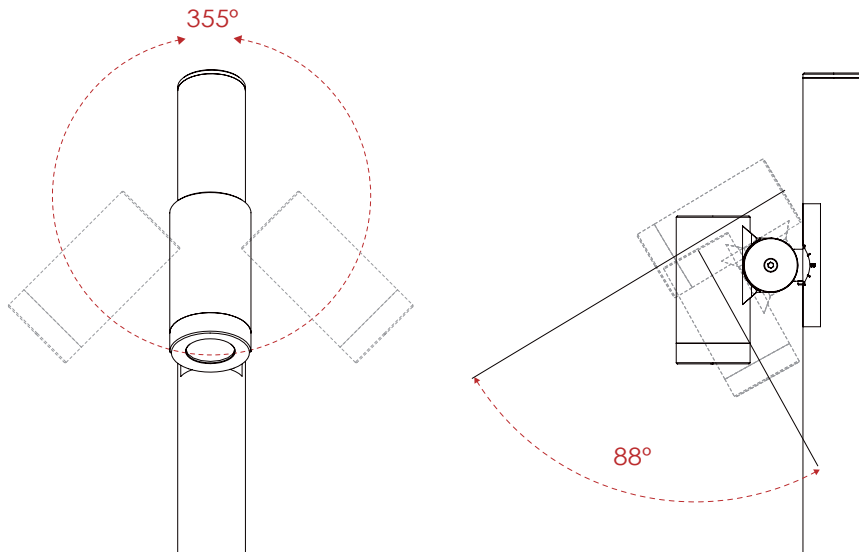
Lux distance curve

Distance (m)	Center beam LUX	Beam width V (m)	Beam width H (m)
2m	82.93 LUX	0.8m	0.8m
4m	20.73 LUX	1.5m	1.5m
6m	9.21 LUX	2.3m	2.3m
8m	5.18 LUX	3.1m	3.1m
10m	3.32 LUX	3.8m	3.8m
12m	2.30 LUX	4.6m	4.6m

Ver.Spread:21.7 Horiz.Spread:21.7

# Landscape / Street pole light B9ZAC0556 @1.2W×5

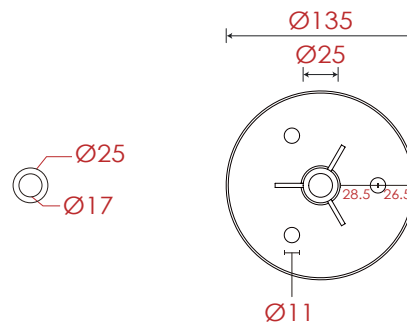
## Adjustable Beam Direction



## Regular Painting Color

Basic	Secondary
 Sanded Grey KAL 7042	 Sanded Black RAL 9005

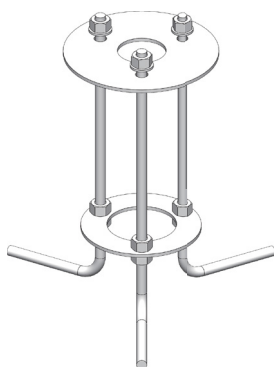
## Flag Base



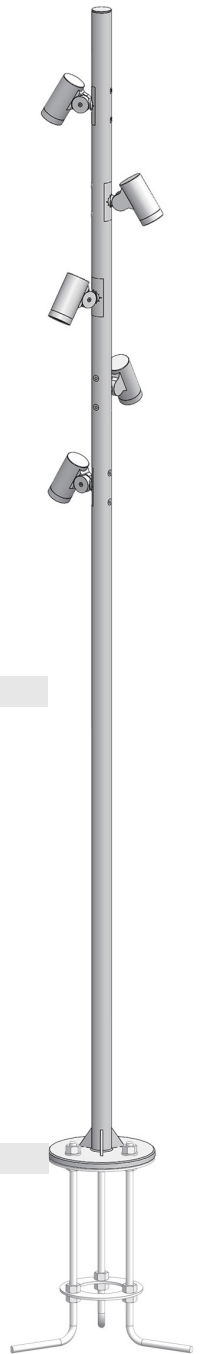
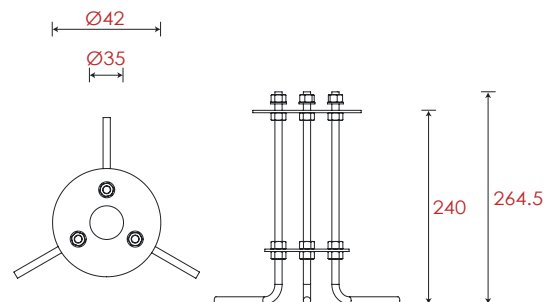
## Pole Dimension & Material

Diameter : Ø25mm  
Height : 1500mm (Customizeable)  
Material : Aluminum

## Accessories

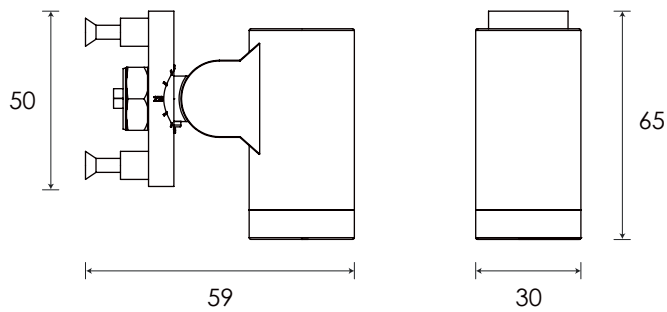
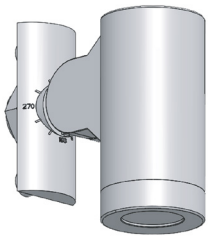


## Base Dimension



Item	Lens	The manufacturer selected lens degree(°)Ø1/2	Input voltage(V)	Typical operating current(mA)	Typical consumption(W)	Typical luminance(lm)	IK rate
B9ZAC0556	B17	30°	24	24V=48 × 5	1.2 × 5	100 × 5	07

# Landscape / Street pole light B9ZAR0156



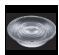
## Specification

<b>Housing</b>	12# Die-Casting aluminum finishing or powder painting T=60-80μm.Adhesion of ISO class 1/ASTM class 4B.	<b>Power Cable</b>	Outside of luminaire 120V/240V: H05RN-F 3×1.0mm <sup>2</sup> , L=2m
<b>Light Window</b>	Tempered Glass.T=4mm	<b>Mounting Base</b>	Powder coated die-casting aluminum
<b>LED Driver</b>	Constant Voltage Input, Constant Current Output	<b>Dimming Support</b>	TRIAC PWM Available
<b>LED</b>	NICHIA	<b>Operating Restrict</b>	Temperature of environment between -20°C~40°C
<b>Lens</b>	Optical lens, efficiency≥85%		

## Lens

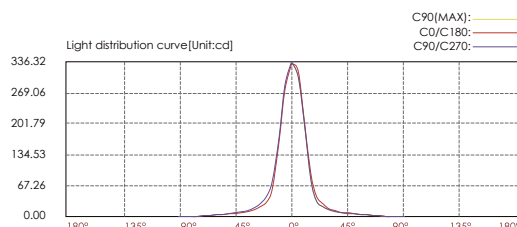
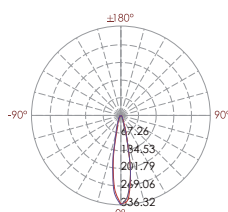
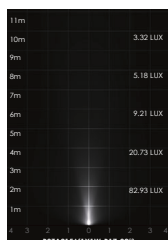
## Regular Painting Color

Basic	Secondary
Sanded Grey KAL 7042	Sanded Black RAL 9005

Item Code	Referenced Degree(°)θ1/2			
 B17	15°	20°	30°	45°

Item	Light Source	Lens	The manufacturer selected lens degree(°)θ1/2	Input voltage(V)	Typical operating current(mA)	Typical consumption(W)	Typical luminance(lm)	IK rate
B9ZAR0156	1 × 1W	B17	30°	24	24V=48	1.2	100	07

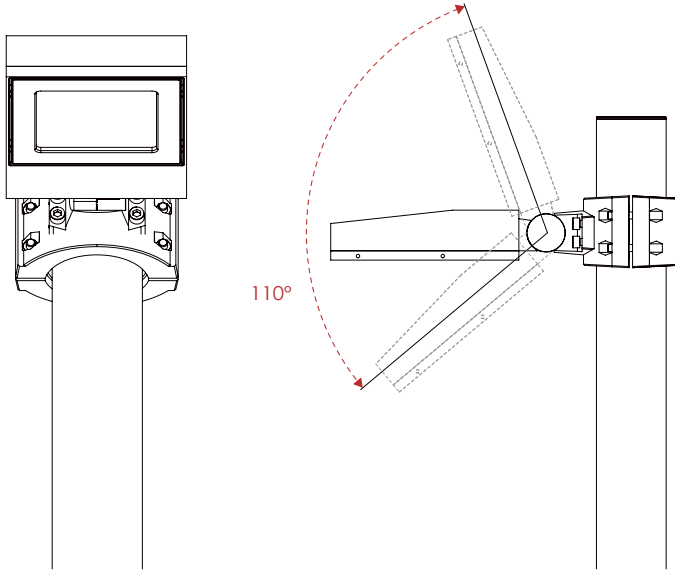
## Photometric



Distance (m)	Illuminance at a distance		Beam width	
	Center beam LUX	Beam width V	H	H
2m	82.93 LUX	0.8m	0.8m	
4m	20.73 LUX	1.5m	1.5m	
6m	9.21 LUX	2.3m	2.3m	
8m	5.18 LUX	3.1m	3.1m	
10m	3.32 LUX	3.8m	3.8m	
12m	2.30 LUX	4.6m	4.6m	

# Landscape / Street pole light B9ZM-1-1

## Adjustable Beam Direction



## Regular Painting Color

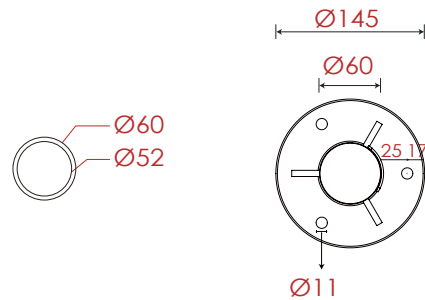
Basic

Sanded Grey  
KAL 7042

Secondary

Sanded Black  
RAL 9005

## Flag Base

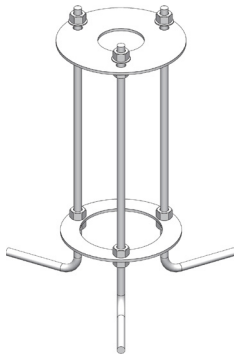


## Pole Dimension

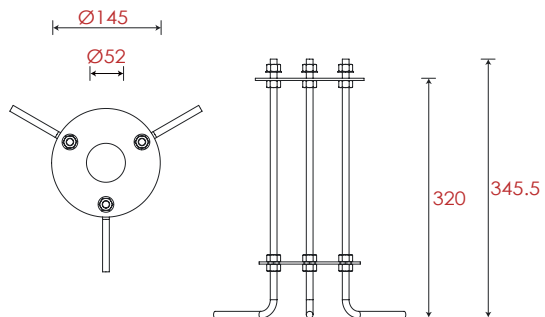
Diameter : Ø60mm  
Height : 2200mm (Customizeable)  
Material : Aluminum

## Accessories

Basic

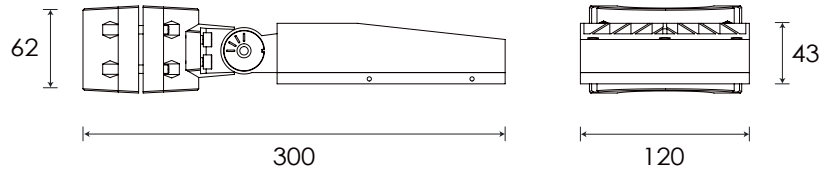
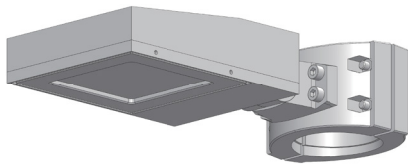


## Base Dimension



Item	Light Source	Lens	The manufacturer selected lens degree(°)Ø1/2	Input voltage(V)	Typical operating current(mA)	Typical consumption(W)	Typical luminance(lm)	IK rate
B9ZM-1-1	7W	B71	24°	DC 24 AC 120 AC 240	24V=360 120V=71 240V=40	24V=8.6 120V=8.5 240V=8.6	695	07

# Landscape / Street pole light B9ZM00000




## Specification

<b>Housing</b>	12# Die-Casting aluminum finishing or powder painting T=60-80μm. Adhesion of ISO class 1/ASTM class 4B	<b>LED Driver</b>	Constant Voltage Input, Constant Current Output
<b>Light Window</b>	Tempered Glass, T=3mm	<b>Power Cable</b>	Outside of luminaire 12V/24V: H05RN-F 2×1.0mm <sup>2</sup> , L=0.3m 120V/240V: H05RN-F 3×1.0mm <sup>2</sup> , L=0.3m
<b>Cable Gland</b>	IP68 PG-9 PA66	<b>Dimming Support</b>	TRIAC PWM Available 1-10V Dali Customized
<b>Gasket</b>	Tooling shaped seal		
<b>LED</b>	NICHIA		

## Operating Restrict

- Temperature of water between -20°C~40°C

## Lens

Item Code	Referenced Degree(°)θ1/2			
 B71	15°	24°	45°	60°

## Adjustable Beam Direction

Basic

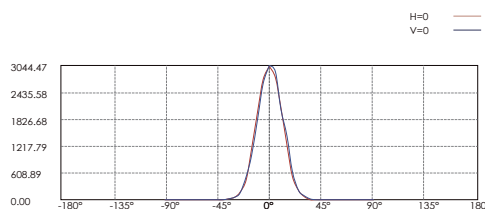
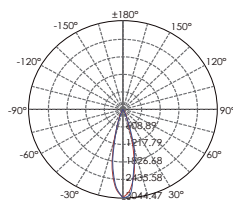
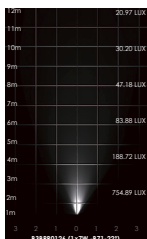
Sanded Grey  
KAL 7042

Secondary

Sanded Black  
RAL 9005

Item	Light Source	Lens	The manufacturer selected lens degree(°)θ1/2	Input voltage(V)	Typical operating current(mA)	Typical consumption(W)	Typical luminance(lm)	IK rate
B9ZM00000	7W	B71	24°	DC 24 AC 120 AC 240	24V=360 120V=71 240V=40	24V=8.6 120V=8.5 240V=8.6	695	07

## Photometric



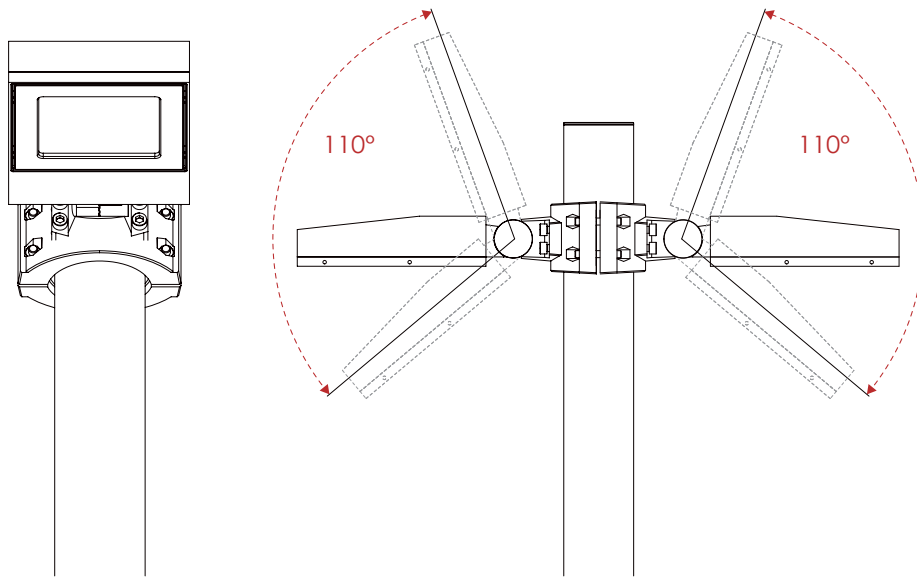
Lux distance Curve

Distance	Illuminance at a Distance	
	Center Beam LUX	Beam Width V H
2m	754.89 LUX	0.9m 0.9m
4m	188.72 LUX	1.9m 1.9m
6m	83.88 LUX	2.8m 2.8m
8m	47.18 LUX	3.7m 3.7m
10m	30.20 LUX	4.7m 4.7m
12m	20.97 LUX	5.6m 5.6m

Vert.Spread:26.2 Horiz.Spread:26.3

# Landscape / Street pole light B9ZM-2-1

## Adjustable Beam Direction



## Regular Painting Color

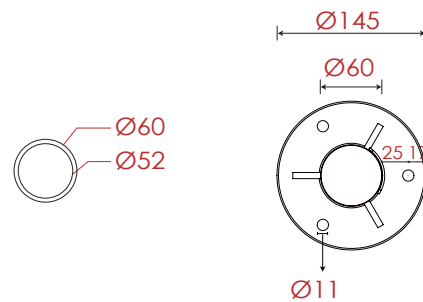
Basic

Sanded Grey  
KAL 7042

Secondary

Sanded Black  
RAL 9005

## Flag Base

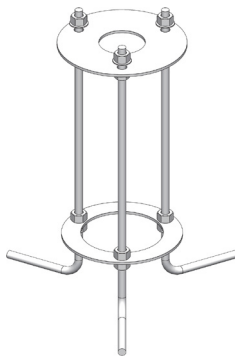


## Pole Dimension

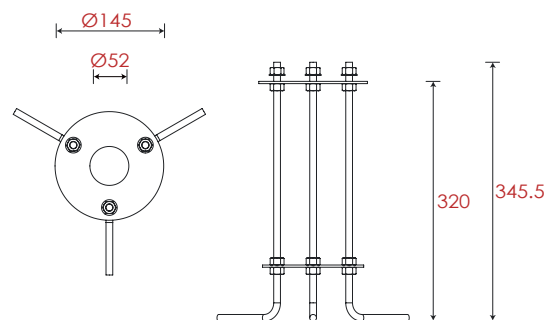
Diameter : Ø60mm  
Height : 2200mm (Customizeable)  
Material : Aluminum

## Accessories

Basic



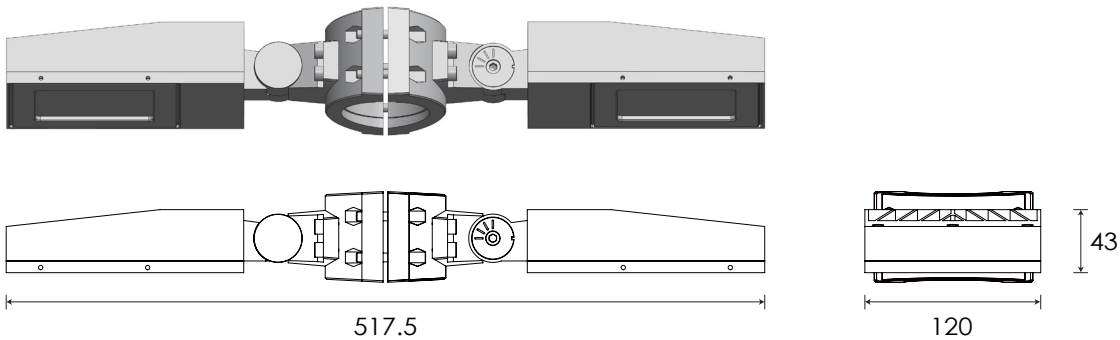
## Base Dimension



Item	Light Source	Lens	The manufacturer selected lens degree(°)Ø1/2	Input voltage(V)	Typical operating current(mA)	Typical consumption(W)	Typical luminance(lm)	IK rate
B9ZM-2-1	7W	B71	24°	DC 24 AC 120 AC 240	24V=360 × 2 120V=71 × 2 240V=40 × 2	24V=8.6 × 2 120V=8.5 × 2 240V=8.6 × 2	695 × 2	07



# Landscape / Street pole light B9ZM00000




## Specification

<b>Housing</b>	12# Die-Casting aluminum finishing or powder painting T=60-80µm.Adhesion of ISO class 1/ASTM class 4B	<b>LED Driver</b>	Constant Voltage Input, Constant Current Output
<b>Light Window</b>	Tempered Glass.T=3mm	<b>Power Cable</b>	Outside of luminaire 12V/24V: H05RN-F 2×1.0mm², L=0.3m 120V/240V: H05RN-F 3×1.0mm², L=0.3m
<b>Cable Gland</b>	IP68 PG-9 PA66	<b>Dimming Support</b>	TRIAC PWM Available 1-10V Dali Customized
<b>Gasket</b>	Tooling shaped seal		
<b>LED</b>	NICHIA		

## Operating Restrict

- Temperature of water between -20°C~40°C

## Lens

Item Code	Referenced Degree(°)θ1/2			
 B71	15°	24°	45°	60°

## Adjustable Beam Direction

Basic

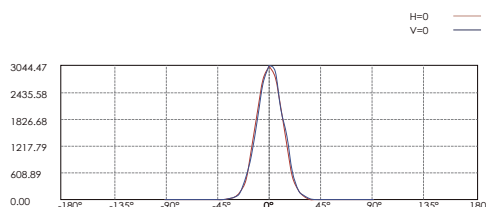
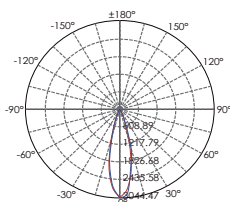
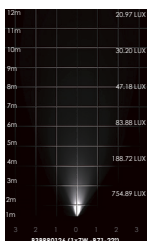
 Sanded Grey  
KAL 7042

Secondary

 Sanded Black  
RAL 9005

Item	Light Source	Lens	The manufacturer selected lens degree(°)θ1/2	Input voltage(V)	Typical operating current(mA)	Typical consumption(W)	Typical luminance(lm)	IK rate
B9ZM00000	7W	B71	24°	DC 24 AC 120 AC 240	24V=360 × 2 120V=71 × 2 240V=40 × 2	24V=8.6 × 2 120V=8.5 × 2 240V=8.6 × 2	695 × 2	07

## Photometric



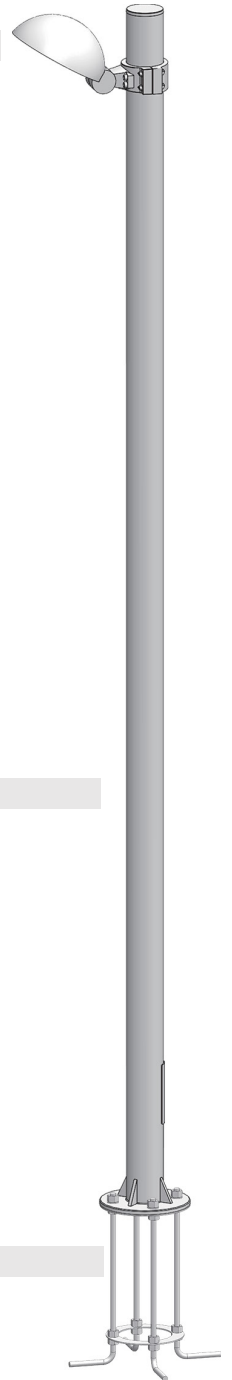
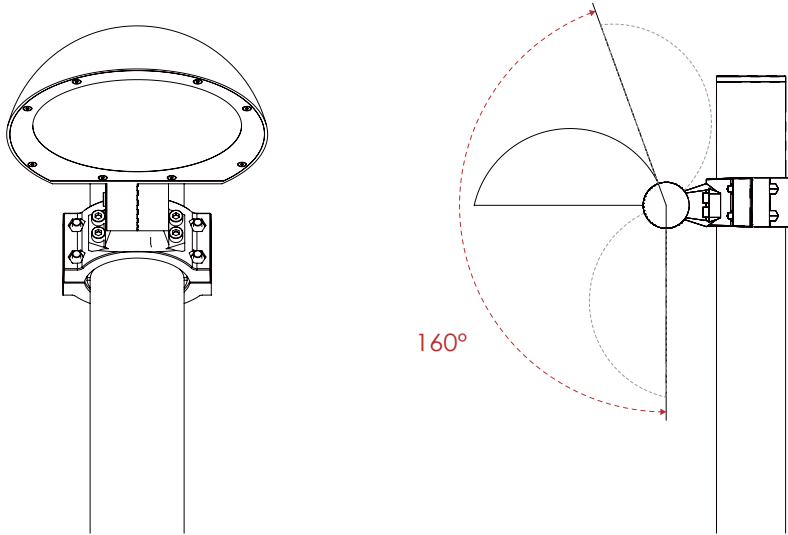
Lux distance Curve

Distance (m)	Illuminance at a Distance	
	Center Beam LUX	Beam Width V H
2m	754.89 LUX	0.9m 0.9m
4m	188.72 LUX	1.9m 1.9m
6m	83.88 LUX	2.8m 2.8m
8m	47.18 LUX	3.7m 3.7m
10m	30.20 LUX	4.7m 4.7m
12m	20.97 LUX	5.6m 5.6m

Vert.Spread:26.2 Horiz.Spread:26.3

# Landscape / Street pole light B9AX-1-1

## Adjustable Beam Direction



## Regular Painting Color

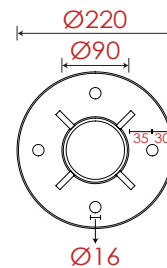
Basic

Sanded Grey  
KAL 7042

Secondary

Sanded Black  
RAL 9005

## Flag Base

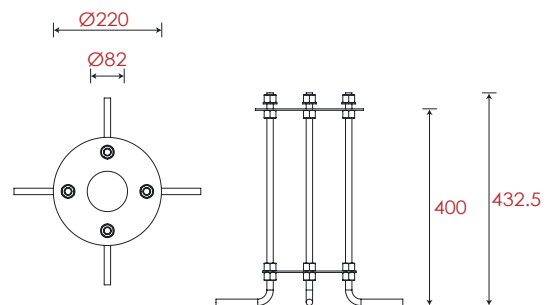
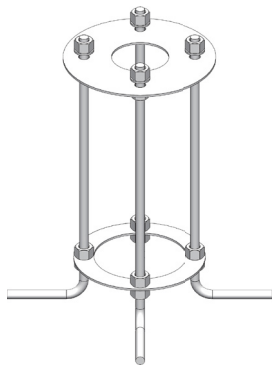


## Pole Dimension & Material

Diameter : Ø90mm  
Height : 3000mm (Customizeable)  
Material : Aluminum

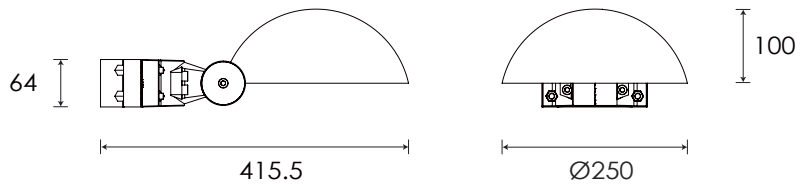
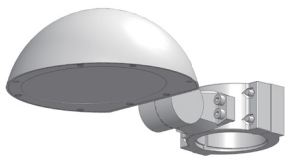
## Accessories

## Base Dimension



Item	Light Source	Input voltage(V)	Typical operating current(mA)	Typical consumption(W)	Typical luminance(lm)	IK rate
B9AX-1-1	18W	DC 24 AC 240	24V=770 240V=90	24V=18.5 240V=19.5	240V=2054	07

# Landscape / Street pole light B9AX00000



## Specification

<b>Housing</b>	T=60-80µm Adhesion of ISO class 1/ASTM class 4B 12# Die-casting powder coated aluminum.	<b>LED Driver</b>	Constant Voltage Input, Constant Current Output
<b>Light Window</b>	PC	<b>Power Cable</b>	Outside of luminaire 12V/24V: H05RN-F 2×1.0mm <sup>2</sup> , L=0.3m 120V/240V: H05RN-F 3×1.0mm <sup>2</sup> , L=0.3m
<b>Gasket</b>	Tooling shaped seal	<b>Dimming Support</b>	TRIAC PWM Available 1-10V Dali Customized
<b>LED</b>	SMD3030		

## Operating Restrict

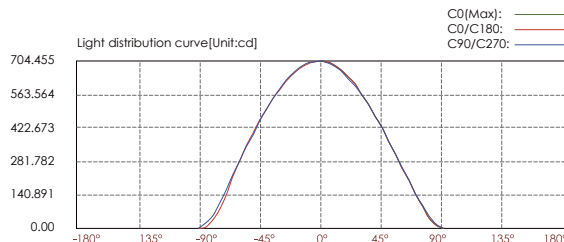
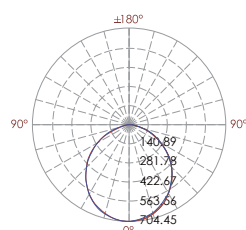
- Temperature of water between -20°C~40°C

## Adjustable Beam Direction

Basic	Secondary
 Sanded Grey KAL 7042	 Sanded Black RAL 9005

Item	Light Source	Input voltage(V)	Typical operating current(mA)	Typical consumption(W)	Typical luminance(lm)	IK rate
B9AX00000	18W	DC 24 AC 240	24V=770 240V=90	24V=18.5 240V=19.5	240V=2054	07

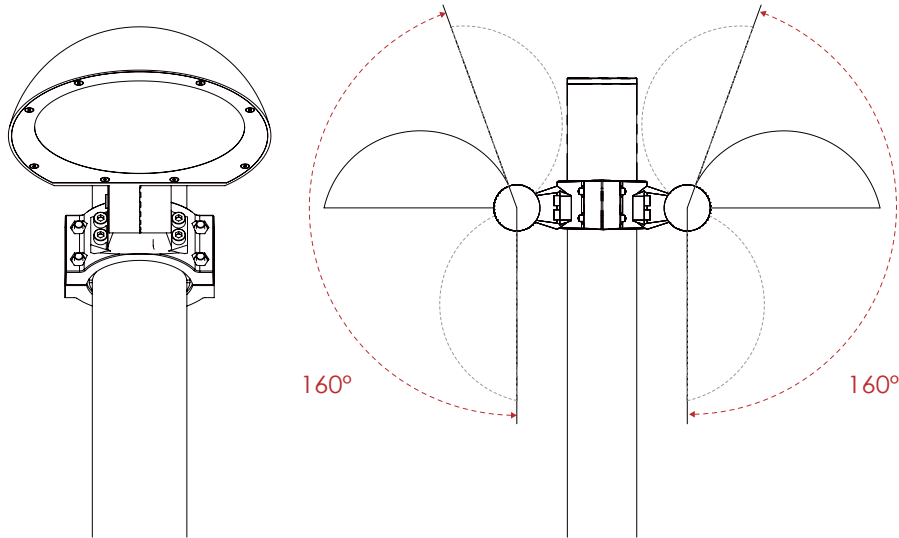
## Photometric



Distance (m)	Center beam LUX	Beam width (m)
2m	176.11	5.3m
4m	44.03	10.6m
6m	19.57	15.9m
8m	11.01	21.2m
10m	7.04	26.5m
12m	4.89	31.8m

# Landscape / Street pole light B9AX-2-1

## Adjustable Beam Direction



## Regular Painting Color

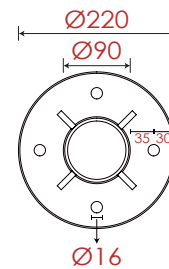
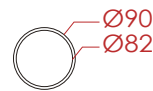
Basic

Sanded Grey  
KAL 7042

Secondary

Sanded Black  
RAL 9005

## Flag Base

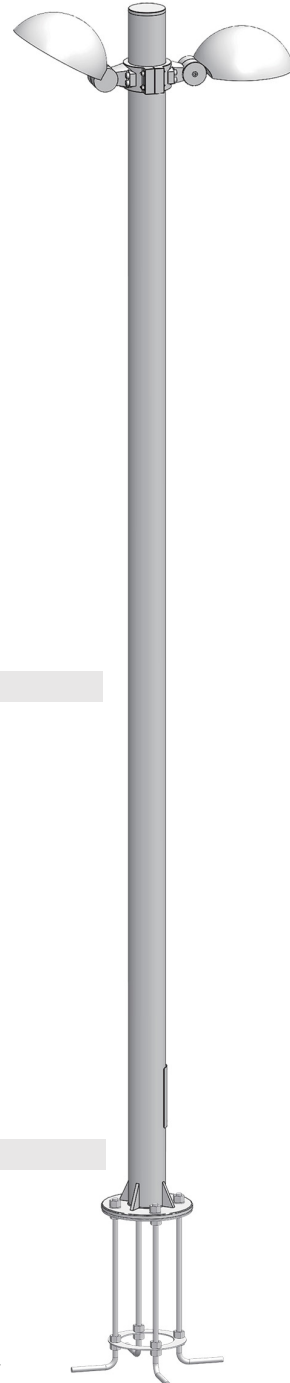
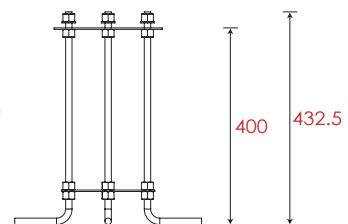
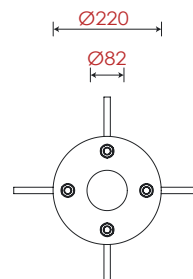
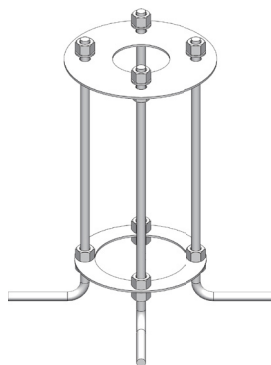


## Pole Dimension & Material

Diameter : Ø90mm  
Height : 3000mm (Customizeable)  
Material : Aluminum

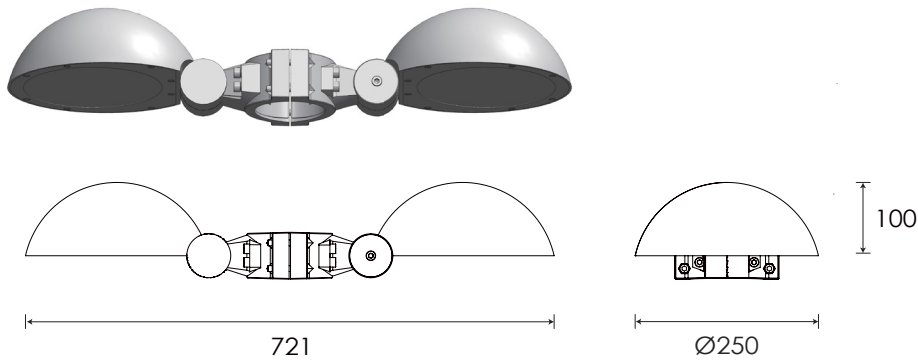
## Accessories

## Base Dimension



Item	Light Source	Input voltage(V)	Typical operating current(mA)	Typical consumption(W)	Typical luminance(lm)	IK rate
B9AX-2-1	18W	DC 24 AC 240	24V=770 × 2 240V=90 × 2	24V=18.5 × 2 240V=19.5 × 2	240V=2054 × 2	07

# Landscape / Street pole light B9AX00000



## Specification

<b>Housing</b>	T=60-80µm Adhesion of ISO class 1/ASTM class 4B 12# Die-casting powder coated aluminum.	<b>LED Driver</b>	Constant Voltage Input, Constant Current Output
<b>Light Window</b>	PC	<b>Power Cable</b>	Outside of luminaire 12V/24V: H05RN-F 2×1.0mm <sup>2</sup> , L=0.3m 120V/240V: H05RN-F 3×1.0mm <sup>2</sup> , L=0.3m
<b>Gasket</b>	Tooling shaped seal	<b>Dimming Support</b>	TRIAC PWM Available 1-10V Dali Customized
<b>LED</b>	SMD3030		

## Operating Restrict

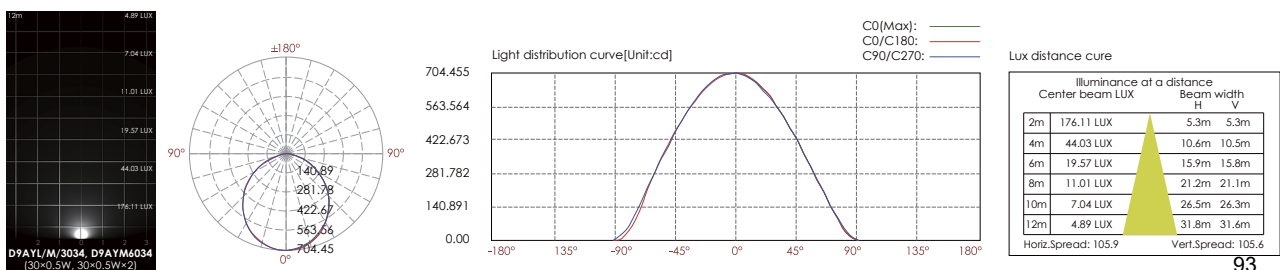
- Temperature of water between -20°C~40°C

## Adjustable Beam Direction

Basic	Secondary
 Sanded Grey KAL 7042	 Sanded Black RAL 9005

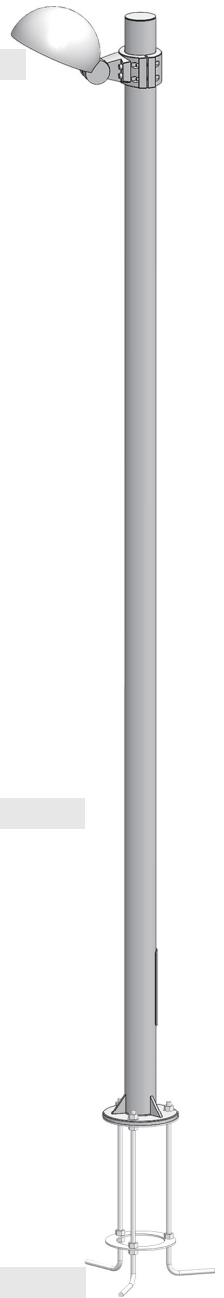
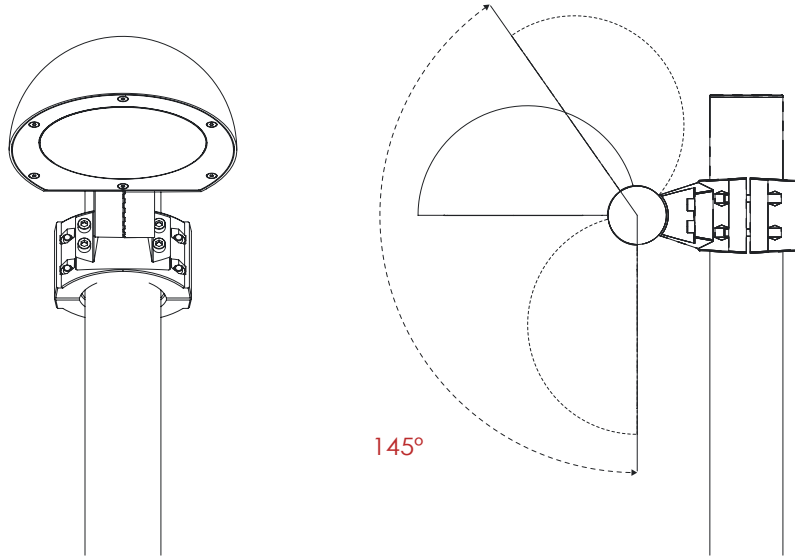
Item	Light Source	Input voltage(V)	Typical operating current(mA)	Typical consumption(W)	Typical luminance(lm)	IK rate
B9AX00000	18W	DC 24 AC 240	24V=770 × 2 240V=90 × 2	24V=18.5 × 2 240V=19.5 × 2	240V=2054 × 2	07

## Photometric



# Landscape / Street pole light B9AYC0170 @19.5W

## Adjustable Beam Direction



## Regular Painting Color

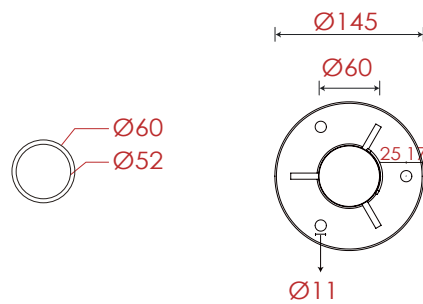
Basic

Sanded Grey  
KAL 7042

Secondary

Sanded Black  
RAL 9005

## Flag Base

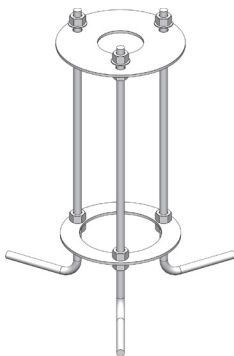


## Pole Dimension

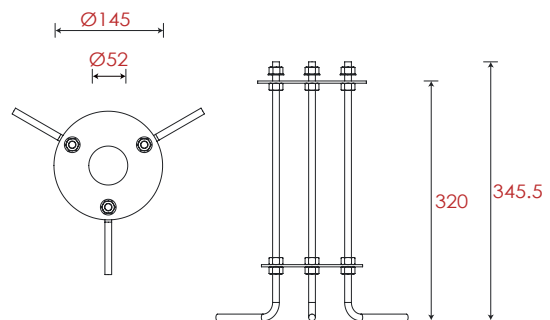
Diameter : Ø60mm  
Height : 2200mm (Customizeable)  
Material : Aluminum

## Accessories

Basic

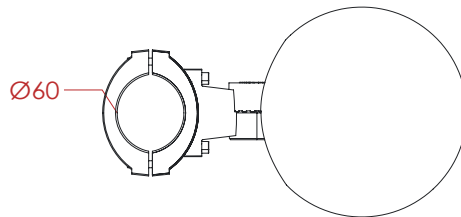
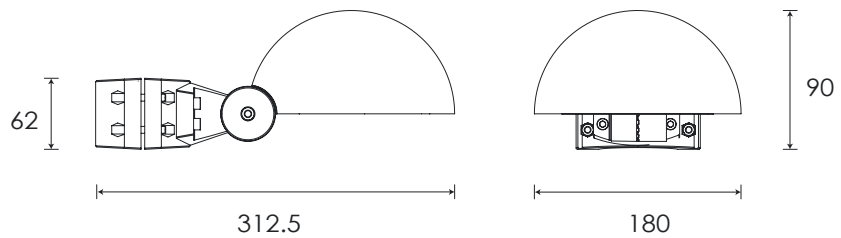
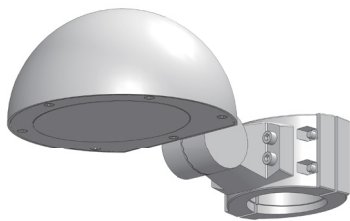


## Base Dimension



Item	Light Source	Input voltage(V)	Typical operating current(mA)	Typical consumption(W)	Typical luminance(lm)	IK rate
B9AYC0170	18W	240	240V=90	19.5	2054	07

# Landscape / Street pole light B9AYP0170



## Specification

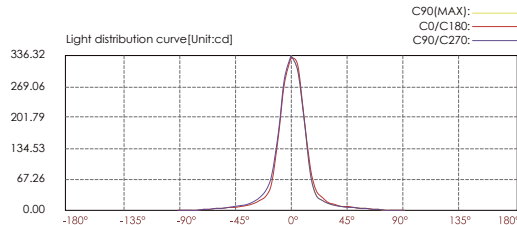
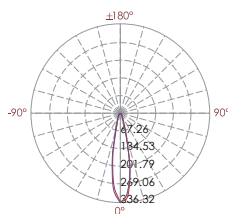
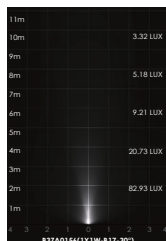
<b>Housing</b>	12# Die-Casting aluminum finishing or powder painting T=60-80µm. Adhesion of ISO class 1/ASTM class 4B.	<b>Power Cable</b>	Outside of luminaire 120V/240V: H05RN-F 3×1.0mm <sup>2</sup> , L=3m
<b>Light Window</b>	Tempered Glass. T=4mm	<b>Mounting Base</b>	Powder coated die-casting aluminum
<b>LED Driver</b>	Constant Voltage Input, Constant Current Output	<b>Dimming Support</b>	TRIAC PWM Available
<b>LED</b>	NICHIA	<b>Operating Restrict</b>	Temperature of environment between -20°C~40°C
<b>Lens</b>	Optical lens, efficiency≥85%		

## Regular Painting Color

<b>Basic</b>	<b>Secondary</b>
 Sanded Grey KAL 7042	 Sanded Black RAL 9005

Item	Light Source	Input voltage(V)	Typical operating current(mA)	Typical consumption(W)	Typical luminance(lm)	IK rate
B9AYP0170	18W	240	240V=90	19.5	2054	07

## Photometric



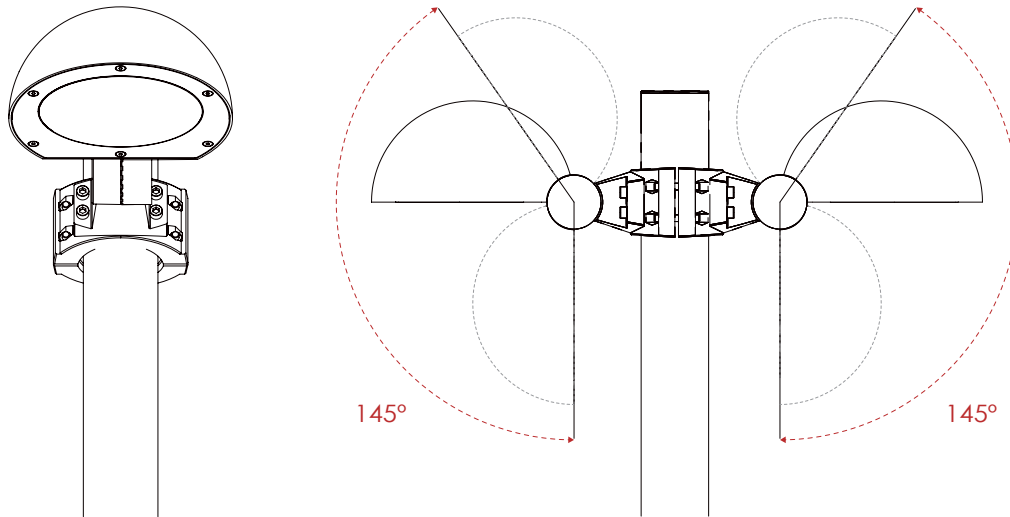
Lux distance curve

Distance	Center beam LUX	Beam width V	Beam width H
2m	82.93 LUX	0.8m	0.8m
4m	20.73 LUX	1.5m	1.5m
6m	9.21 LUX	2.3m	2.3m
8m	5.18 LUX	3.1m	3.1m
10m	3.32 LUX	3.8m	3.8m
12m	2.30 LUX	4.6m	4.6m

Ver.Spread:21.7 Horiz.Spread:21.7

# Landscape / Street pole light B9AYC0270 @19.5W×2

## Adjustable Beam Direction



## Regular Painting Color

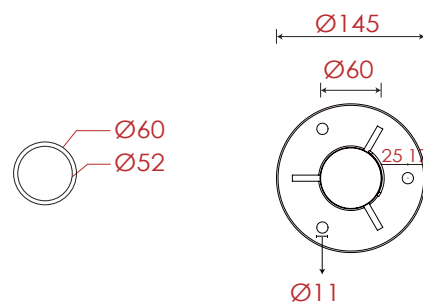
Basic

Sanded Grey  
KAL 7042

Secondary

Sanded Black  
RAL 9005

## Flag Base

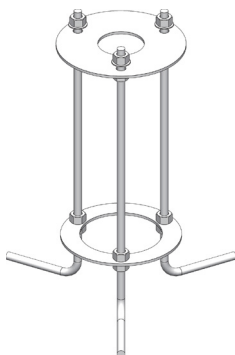


## Pole Dimension

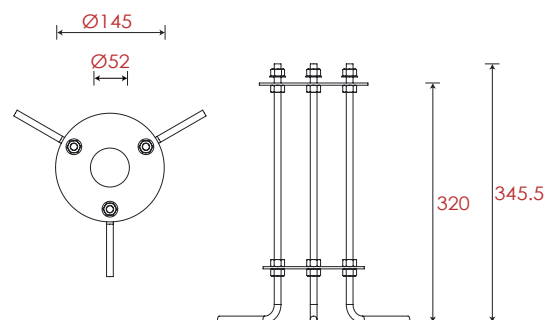
Diameter : Ø60mm  
Height : 2200mm (Customizeable)  
Material : Aluminum

## Accessories

Basic



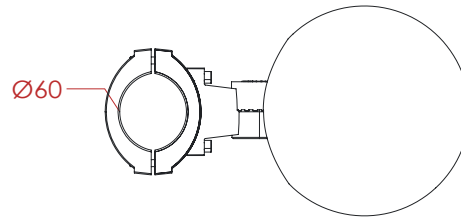
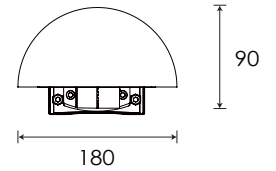
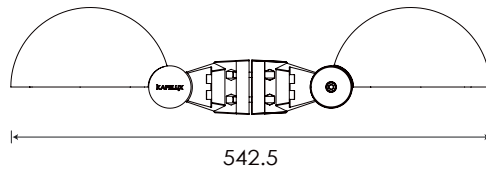
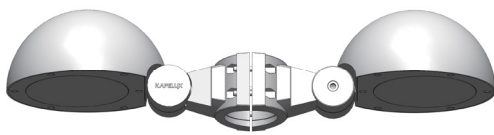
## Base Dimension



Item	Light Source	Input voltage(V)	Typical operating current(mA)	Typical consumption(W)	Typical luminance(lm)	IK rate
B9AYC0270	18W	240	240V=90 × 2	19.5 × 2	2054 × 2	07



# Landscape / Street pole light B9AYP0170



## Specification

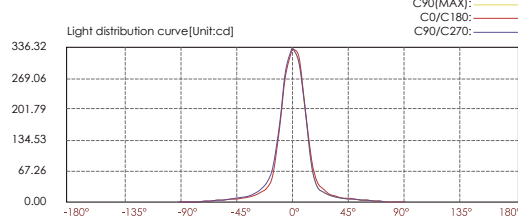
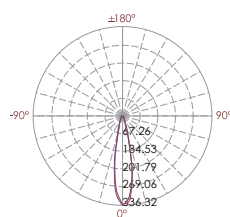
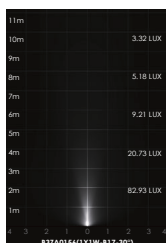
<b>Housing</b>	12# Die-Casting aluminum finishing or powder painting T=60-80μm.Adhesion of ISO class 1/ASTM class 4B.	<b>Power Cable</b>	Outside of luminaire 120V/240V: H05RN-F 3×1.0mm <sup>2</sup> , L=3m
<b>Light Window</b>	Tempered Glass.T=4mm	<b>Mounting Base</b>	Powder coated die-casting aluminum
<b>LED Driver</b>	Constant Voltage Input, Constant Current Output	<b>Dimming Support</b>	TRIAC PWM Available
<b>LED</b>	NICHIA	<b>Operating Restrict</b>	Temperature of environment between -20°C~40°C
<b>Lens</b>	Optical lens, efficiency≥85%		

## Regular Painting Color

<b>Basic</b>	<b>Secondary</b>
Sanded Grey KAL 7042	Sanded Black RAL 9005

Item	Light Source	Input voltage(V)	Typical operating current(mA)	Typical consumption(W)	Typical luminance(lm)	IK rate
B9AYP0170	18W	240	240V=90	19.5	2054	07

## Photometric



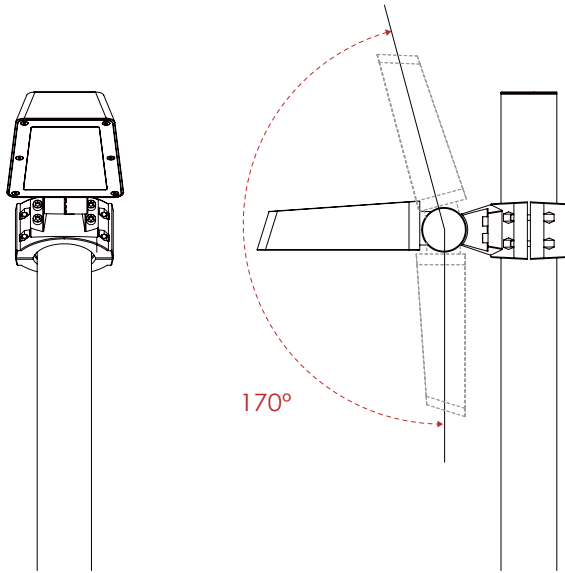
Lux distance curve

Center beam LUX	Beam width V	H
2m	0.8m	0.8m
4m	1.5m	1.5m
6m	2.3m	2.3m
8m	3.1m	3.1m
10m	3.8m	3.8m
12m	4.6m	4.6m

Ver.Spread:21.7 Horiz.Spread:21.7

# Landscape / Street pole light B3BR-1-1

## Adjustable Beam Direction



## Regular Painting Color

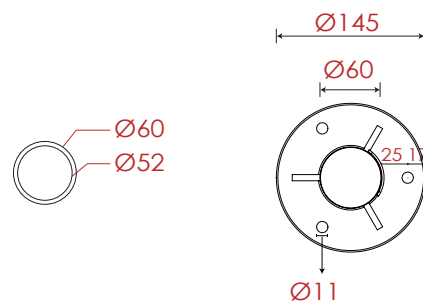
Basic

Sanded Grey  
KAL 7042

Secondary

Sanded Black  
RAL 9005

## Flag Base

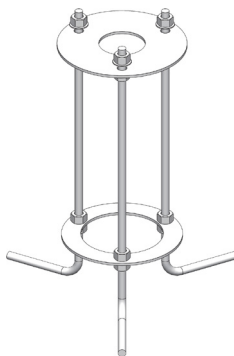


## Pole Dimension

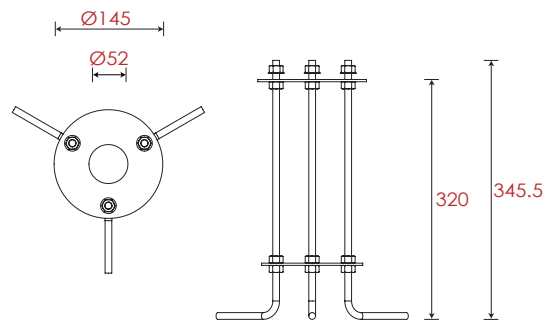
Diameter :  $\varnothing 60\text{mm}$   
Height : 2200mm (Customizeable)  
Material : Aluminum

## Accessories

Basic

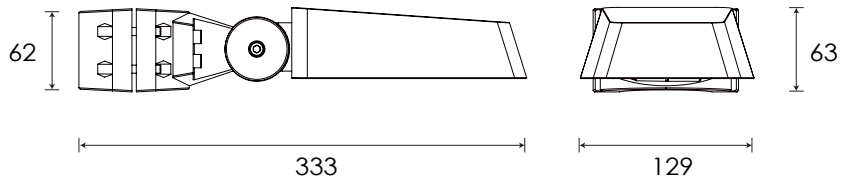
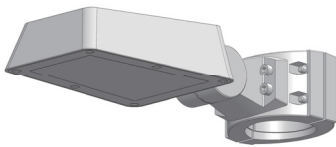


## Base Dimension



Item	Lens	The manufacturer selected lens degree( $^{\circ}$ ) $\theta 1/2$	Input voltage(V)	Typical operating current(mA)	Typical consumption(W)	Typical luminance(lm)	IK rate
B3BR-1-1	B71	24 $^{\circ}$	120 / 240	120V=71 240V=40	8.6	695	07

# Landscape / Street pole light B9AZ00000




## Specification

<b>Housing</b>	12# Die-casting Aluminum Finishing Or Powder Painting T=60-80Mm.adhesion Of Iso Class 1/astm Class 4b	<b>Led Driver</b>	Constant Voltage Input, Constant Current Output
<b>Light Window</b>	Tempered Glass.t=3mm	<b>Power Cable</b>	Outside Of Luminaire 120v/240v: H05rn-f 3x1.0mm <sup>2</sup> , L=3m
<b>Cable Gland</b>	Ip68 Pg-9 Pa66	<b>Dimming Support</b>	Triac Pwm Available 1-10v Dali Customized
<b>Gasket</b>	Tooling Shaped Seal	<b>Operating Restrict</b>	Temperature Of Water Between -20°c~40°c
<b>Led</b>	Nichia		

## Lens

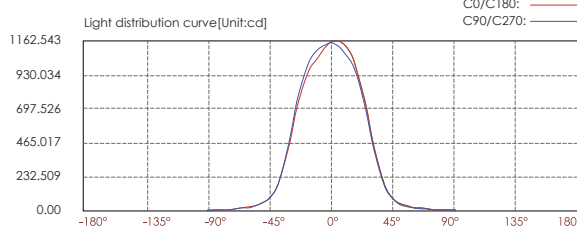
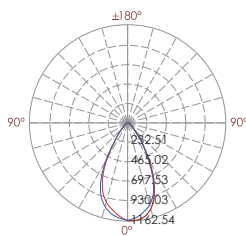
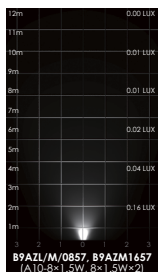
### Regular Painting Color

Basic	Sanded Grey <b>KAL 7042</b>	Secondary	Sanded Black <b>RAL 9005</b>
-------	--------------------------------	-----------	---------------------------------

Item Code	Referenced Degree(°)Ø1/2			
 <b>B71</b>	15°	24°	45°	60°

Item	Light Source	Lens	The manufacturer selected lens degree(°)Ø1/2	Input voltage(V)	Typical operating current(mA)	Typical consumption(W)	Typical luminance(lm)	IK rate
<b>B3BRR0126</b>	7W	B71	24°	120 / 240	120V=71 240V=40	8.6	695	07

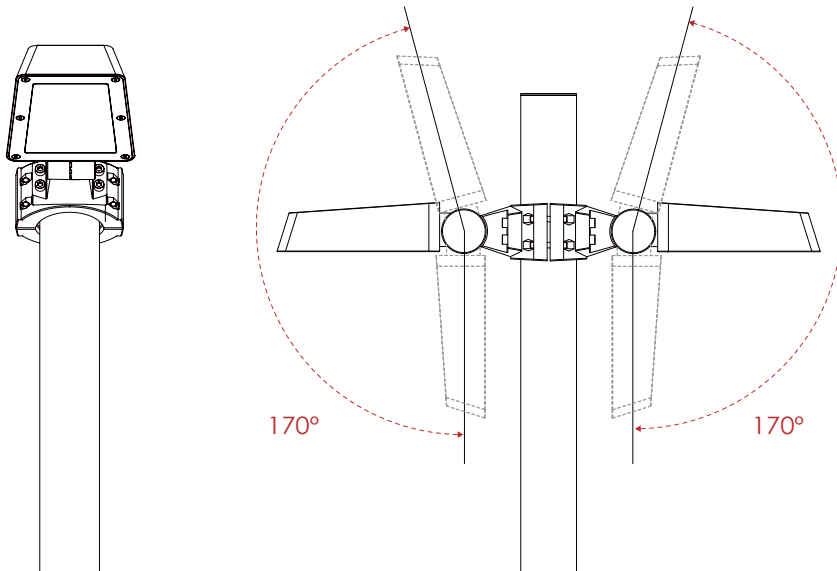
## Photometric



Illuminance at a distance			
Center beam LUX	Beam width V	Beam width H	
2m 290.04 LUX	2.1m	2.1m	
4m 72.51 LUX	4.3m	4.2m	
6m 32.23 LUX	6.4m	6.4m	
8m 18.13 LUX	8.5m	8.5m	
10m 11.60 LUX	10.7m	10.6m	
12m 8.06 LUX	12.8m	12.7m	
Vert.Spread: 56.1		Horiz.Spread: 55.8	

# Landscape / Street pole light B3BR-1-1

## Adjustable Beam Direction



## Regular Painting Color

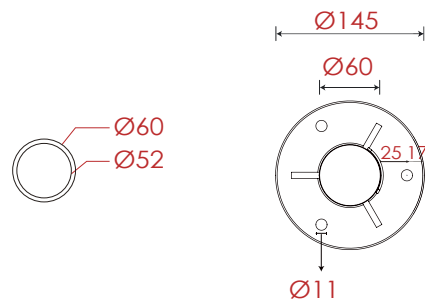
Basic

Sanded Grey  
KAL 7042

Secondary

Sanded Black  
RAL 9005

## Flag Base

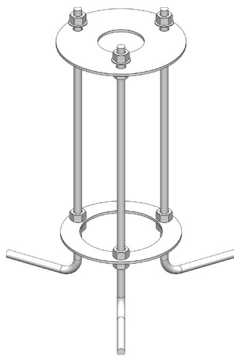


## Pole Dimension

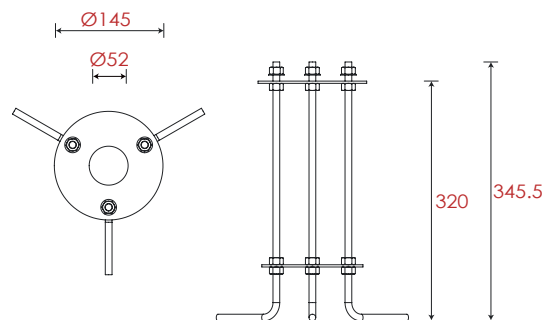
Diameter : Ø60mm  
Height : 2200mm (Customizeable)  
Material : Aluminum

## Accessories

Basic

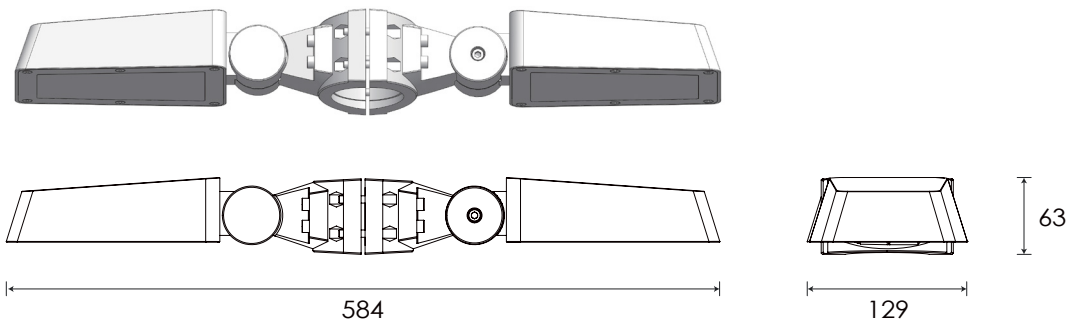


## Base Dimension



Item	Lens	The manufacturer selected lens degree(°)Ø1/2	Input voltage(V)	Typical operating current(mA)	Typical consumption(W)	Typical luminance(lm)	IK rate
B3BR-1-1	B71	24°	120 / 240	120V=71 240V=40	8.6	695	07

# Landscape / Street pole light B3BRR0126




## Specification

<b>Housing</b>	12# Die-casting Aluminum Finishing Or Powder Painting T=60-80Mm.adhesion Of Iso Class 1/astm Class 4b	<b>Led Driver</b>	Constant Voltage Input, Constant Current Output
<b>Light Window</b>	Tempered Glass,t=3mm	<b>Power Cable</b>	Outside Of Luminaire 120v/240v: H05m-f 3×1.0mm², L=3m
<b>Cable Gland</b>	Ip68 Pg-9 Pa66	<b>Dimming Support</b>	Triac Pwm Available 1-10v Dali Customized
<b>Gasket</b>	Tooling Shaped Seal	<b>Operating Restrict</b>	Temperature Of Water Between -20°c~40°c
<b>Led</b>	Nichia		

## Regular Painting Color

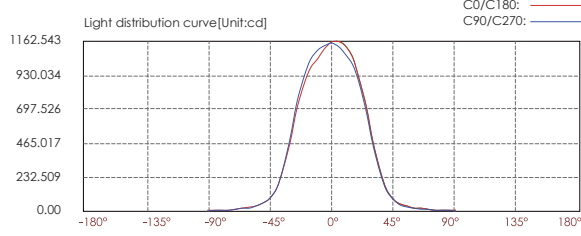
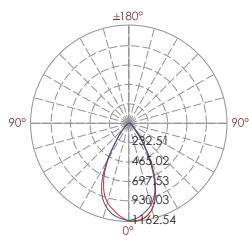
Basic	Secondary
 Sanded Grey KAL 7042	 Sanded Black RAL 9005

## Lens

Item Code	Referenced Degree(°)Θ1/2			
 B71	15°	24°	45°	60°

Item	Light Source	Lens	The manufacturer selected lens degree(°)θ1/2	Input voltage(V)	Typical operating current(mA)	Typical consumption(W)	Typical luminance(lm)	IK rate
<b>B3BRR0126</b>	7W	B71	24°	120 / 240	120V=71 240V=40	8.6	695	07

## Photometric



C0(Max): —  
C0/C180: —  
C90/C270: —

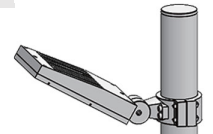
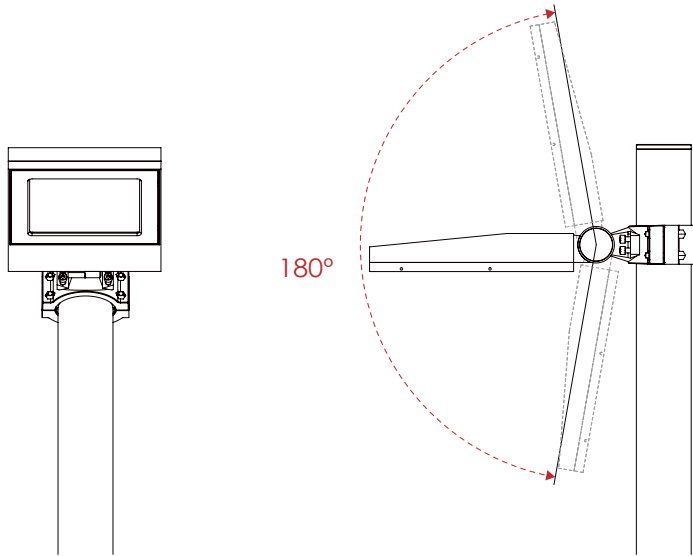
Lux distance cure

Center beam LUX	Beam width V	H
2m 290.04 LUX	2.1m	2.1m
4m 72.51 LUX	4.3m	4.2m
6m 32.23 LUX	6.4m	6.4m
8m 18.13 LUX	8.5m	8.5m
10m 11.60 LUX	10.7m	10.6m
12m 8.06 LUX	12.8m	12.7m

Vert.Spread: 56.1 Horiz.Spread: 55.8

# Landscape / Street pole light B9XM-1-1

## Adjustable Beam Direction



## Regular Painting Color

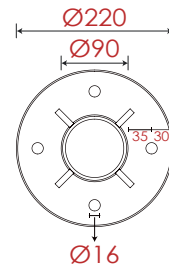
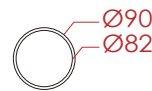
Basic

Sanded Grey  
KAL 7042

Secondary

Sanded Black  
RAL 9005

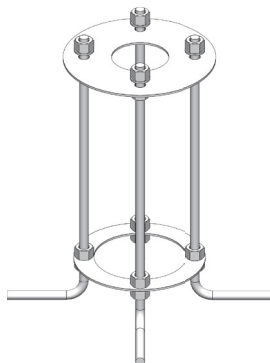
## Flag Base



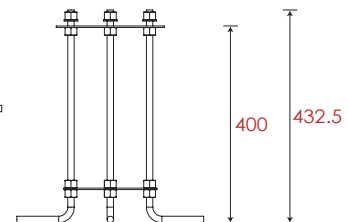
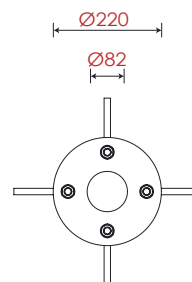
## Pole Dimension & Material

Diameter : Ø90mm  
Height : 3000mm (Customizeable)  
Material : Aluminum

## Accessories

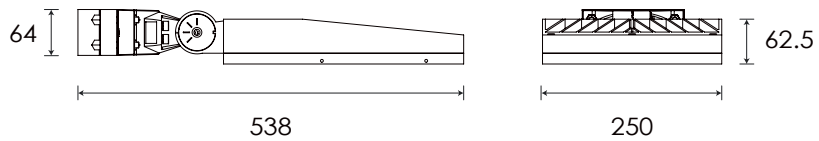
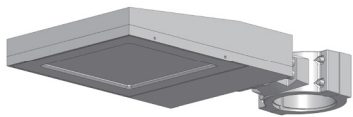


## Base Dimension



Item	Light Source	Lens	The manufacturer selected lens degree(°)θ1/2	Input voltage(V)	Typical operating current(mA)	Typical consumption(W)	Typical luminance(lm)	IK rate
B9XM-1-1	4 × 3.5W	FB11B4	30°	DC 24 AC 120 AC 240	24V=630 120V=146 240V=73	24V=15 120V=17.5 240V=17	1206	07

# Landscape / Street pole light B9XM00000




## Specification

<b>Housing</b>	12# Die-Casting aluminum finishing or powder painting T=60-80μm. Adhesion of ISO class 1/ASTM class 4B.	<b>Power Cable</b>	Outside of luminaire 12V/24V: H05RN-F 2×1.0mm <sup>2</sup> , L=0.3m 120V/240V: H05RN-F 3×1.0mm <sup>2</sup> , L=0.3m
<b>Light Window</b>	Tempered Glass, T=4mm	<b>Mounting Base</b>	Powder coated die-casting aluminum
<b>LED Driver</b>	Constant Voltage Input, Constant Current Output	<b>Dimming Support</b>	TRIAC PWM Available 1-10V Dali Customized
<b>LED</b>	SMD3535		
<b>Lens</b>	Optical lens, efficiency≥85%		

## Operating Restrict

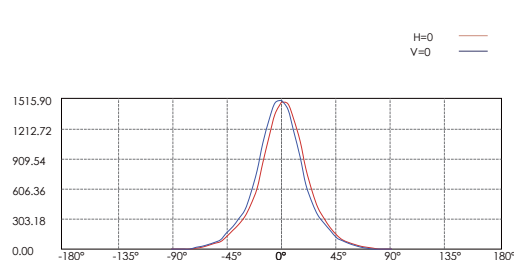
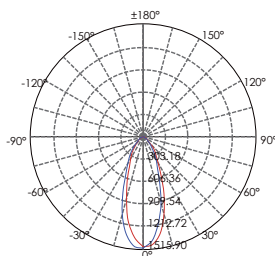
- Temperature of water between -20°C~40°C

## Lens

Item Code	Referenced Degree(°)θ1/2					
 FB11B4	9°	15°	20°	30°	45°	60°

Item	Light Source	Lens	The manufacturer selected lens degree(°)θ1/2	Input voltage(V)	Typical operating current(mA)	Typical consumption(W)	Typical luminance(lm)	IK rate
<b>B9XM00000</b>	4 × 3.5W	FB11B4	30°	DC 24 AC 120 AC 240	24V=630 120V=146 240V=73	24V=15 120V=17.5 240V=17	1206	07

## Photometric



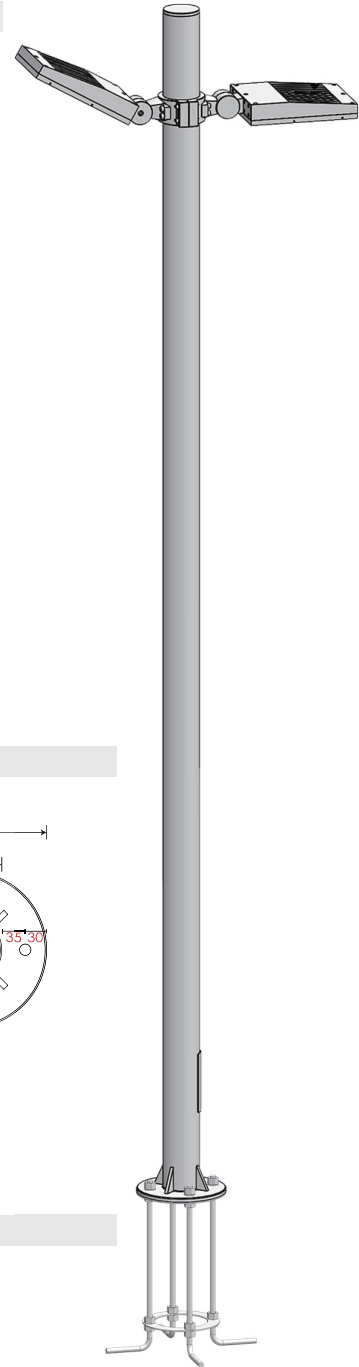
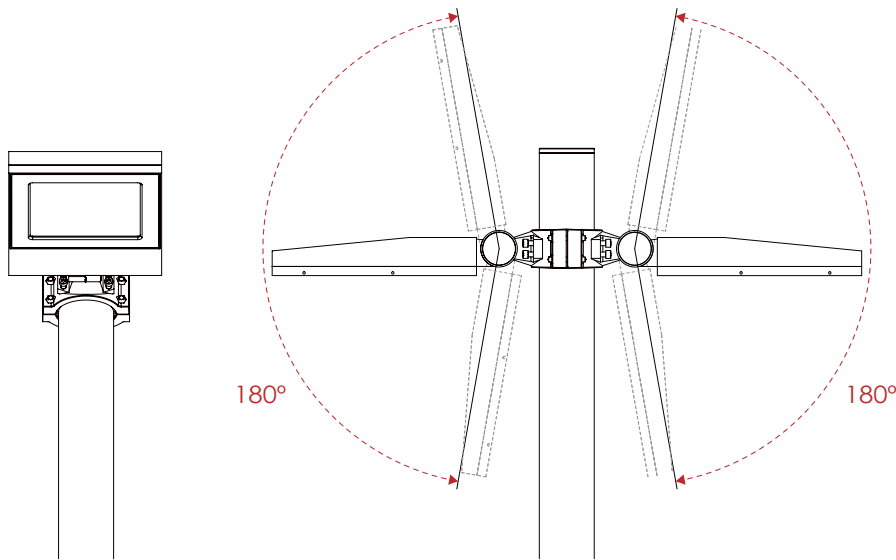
Lux distance Curve

Distance (m)	Illuminance at a Distance		Beam Width	
	Center Beam LUX	Beam Width V	H	
2m	369.27 LUX	1.4m	1.4m	
4m	92.32 LUX	2.8m	2.8m	
6m	41.03 LUX	4.2m	4.3m	
8m	23.08 LUX	5.6m	5.7m	
10m	14.77 LUX	7.0m	7.1m	
12m	10.26 LUX	8.4m	8.5m	

Vert. Spread: 38.6      Horiz. Spread: 39.0

# Landscape / Street pole light B9XM-1-1

## Adjustable Beam Direction



## Regular Painting Color

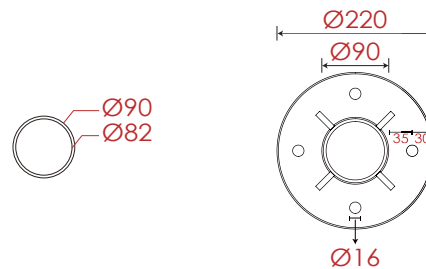
Basic

Sanded Grey  
RAL 7042

Secondary

Sanded Black  
RAL 9005

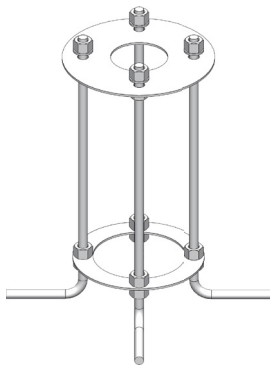
## Flag Base



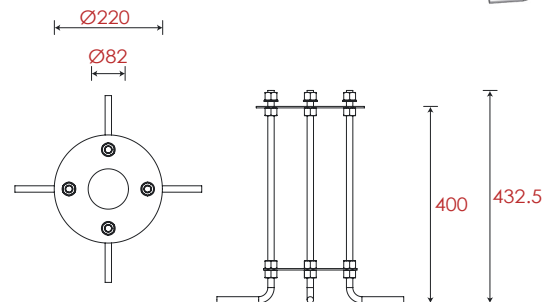
## Pole Dimension & Material

Diameter : Ø90mm  
Height : 3000mm (Customizeable)  
Material : Aluminum

## Accessories



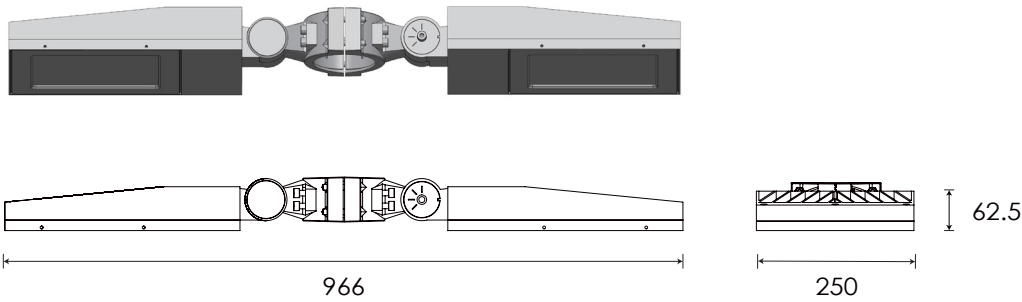
## Base Dimension



Item	Light Source	Lens	The manufacturer selected lens degree(°)θ1/2	Input voltage(V)	Typical operating current(mA)	Typical consumption(W)	Typical luminance(lm)	IK rate
B9XM-1-1	4 × 3.5W × 2	FB11B4	N/A	DC 24 AC 120 AC 240	24V=630 × 2 120V=146 × 2 240V=73 × 2	24V=15 × 2 120V=17.5 × 2 240V=17 × 2	1206 × 2	07



# Landscape / Street pole light B9XM00000




## Specification

<b>Housing</b>	12# Die-Casting aluminum finishing or powder painting T=60-80μm. Adhesion of ISO class 1/ASTM class 4B.	<b>Power Cable</b>	Outside of luminaire 12V/24V: H05RN-F 2×1.0mm <sup>2</sup> , L=0.3m 120V/240V: H05RN-F 3×1.0mm <sup>2</sup> , L=0.3m
<b>Light Window</b>	Tempered Glass.T=4mm	<b>Mounting Base</b>	Powder coated die-casting aluminum
<b>LED Driver</b>	Constant Voltage Input, Constant Current Output	<b>Dimming Support</b>	TRIAC PWM Available 1-10V Dali Customized
<b>LED</b>	SMD3535		
<b>Lens</b>	Optical lens, efficiency≥85%		

## Operating Restrict

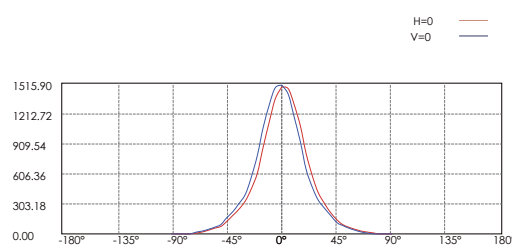
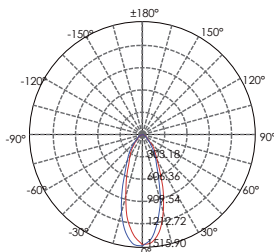
- Temperature of water between -20°C~40°C

## Lens

Item Code	Referenced Degree(°)θ1/2					
 FB11B4	9°	15°	20°	30°	45°	60°

Item	Light Source	Lens	The manufacturer selected lens degree(°)θ1/2	Input voltage(V)	Typical operating current(mA)	Typical consumption(W)	Typical luminance(lm)	IK rate
B9XM00000	4 × 3.5W × 2	FB11B4	N/A	DC 24 AC 120 AC 240	24V=630 × 2 120V=146 × 2 240V=73 × 2	24V=15 × 2 120V=17.5 × 2 240V=17 × 2	1206 × 2	07

## Photometric



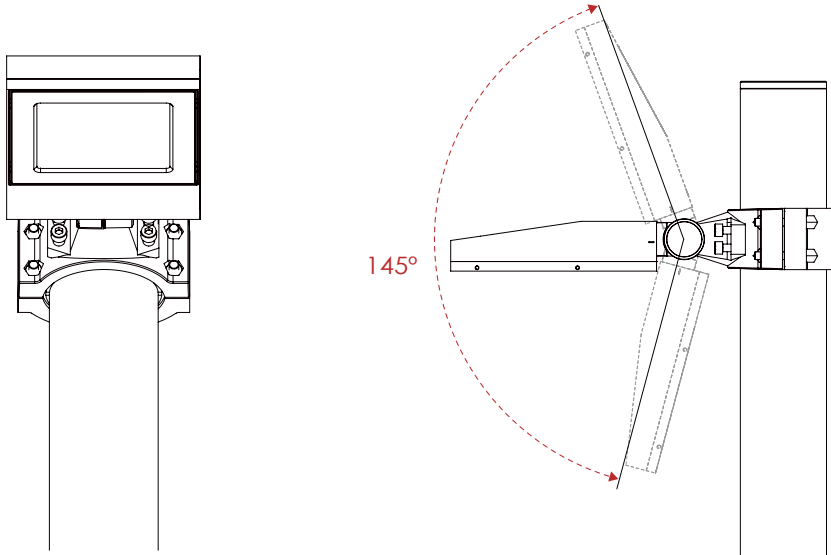
Lux distance Curve

Distance (m)	Illuminance at a Distance		Beam Width	
	Center Beam LUX	Beam Width (V x H)	V	H
2m	369.27 LUX	1.4m x 1.4m		
4m	92.32 LUX	2.8m x 2.8m		
6m	41.03 LUX	4.2m x 4.3m		
8m	23.08 LUX	5.6m x 5.7m		
10m	14.77 LUX	7.0m x 7.1m		
12m	10.26 LUX	8.4m x 8.5m		

Vert.Spread:38.6 Horiz.Spread:39.0

# Landscape / Street pole light B9YM-1-1

## Adjustable Beam Direction



## Regular Painting Color

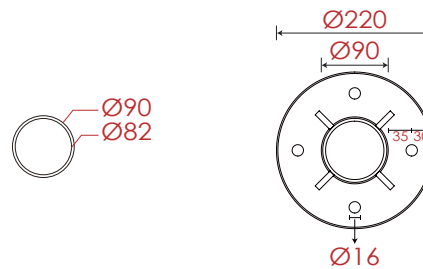
Basic

Sanded Grey  
KAL 7042

Secondary

Sanded Black  
RAL 9005

## Flag Base

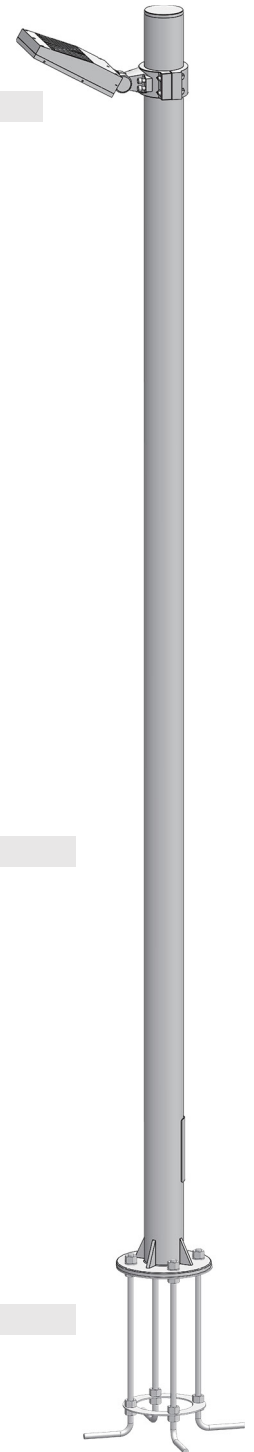
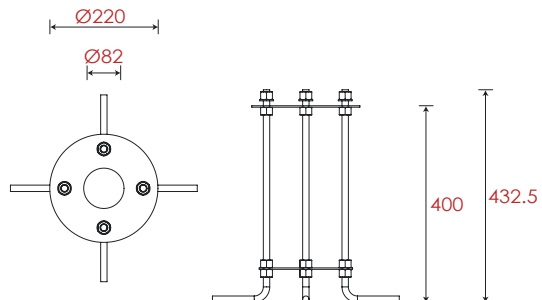
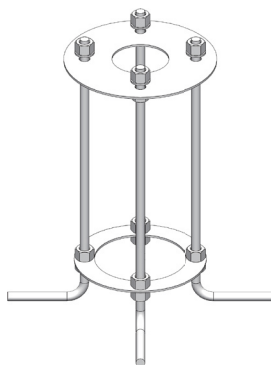


## Pole Dimension & Material

Diameter : Ø90mm  
Height : 3000mm (Customizeable)  
Material : Aluminum

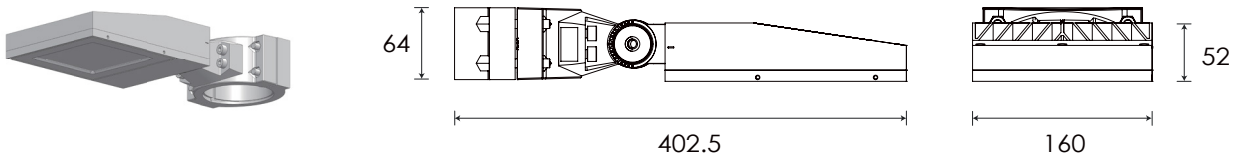
## Accessories

## Base Dimension



Item	Light Source	Lens	The manufacturer selected lens degree(°)θ1/2	Input voltage(V)	Typical operating current(mA)	Typical consumption(W)	Typical luminance(lm)	IK rate
B9YM-1-1	4 × 3.5W	FB11B4	30°	DC 24 AC 120 AC 240	24V=630 120V=146 240V=73	24V=15 120V=17.5 240V=17	1206	07

# Landscape / Street pole light B3YM00000




## Specification

<b>Housing</b>	12# Die-Casting aluminum finishing or powder painting T=60-80μm.Adhesion of ISO class 1/ASTM class 4B.	<b>Power Cable</b>	Outside of luminaire 12V/24V: H05RN-F 2×1.0mm <sup>2</sup> , L=0.3m 120V/240V: H05RN-F 3×1.0mm <sup>2</sup> , L=0.3m
<b>Light Window</b>	Tempered Glass.T=4mm	<b>Mounting Base</b>	Powder coated die-casting aluminum
<b>LED Driver</b>	Constant Voltage Input, Constant Current Output	<b>Dimming Support</b>	TRIAC PWM Available 1-10V Dali Customized
<b>LED</b>	SMD3535		
<b>Lens</b>	Optical lens, efficiency≥85%		

## Lens

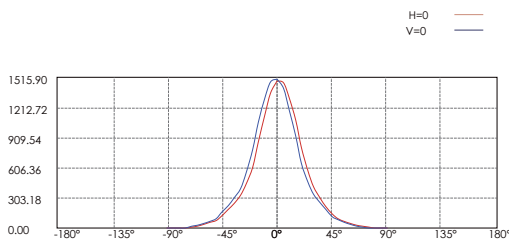
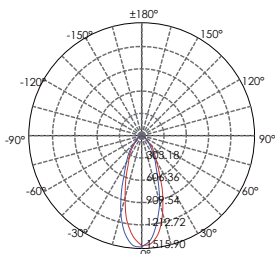
### Operating Restrict

- Temperature of water between -20°C~40°C

Item Code	Referenced Degree(°)θ1/2					
 FB11B4	9°	15°	20°	30°	45°	60°

Item	Light Source	Lens	The manufacturer selected lens degree(°)θ1/2	Input voltage(V)	Typical operating current(mA)	Typical consumption(W)	Typical luminance(lm)	IK rate
<b>B9YM00000</b>	4 × 3.5W	FB11B4	30°	DC 24 AC 120 AC 240	24V=630 120V=146 240V=73	24V=15 120V=17.5 240V=17	1206	07

## Photometric

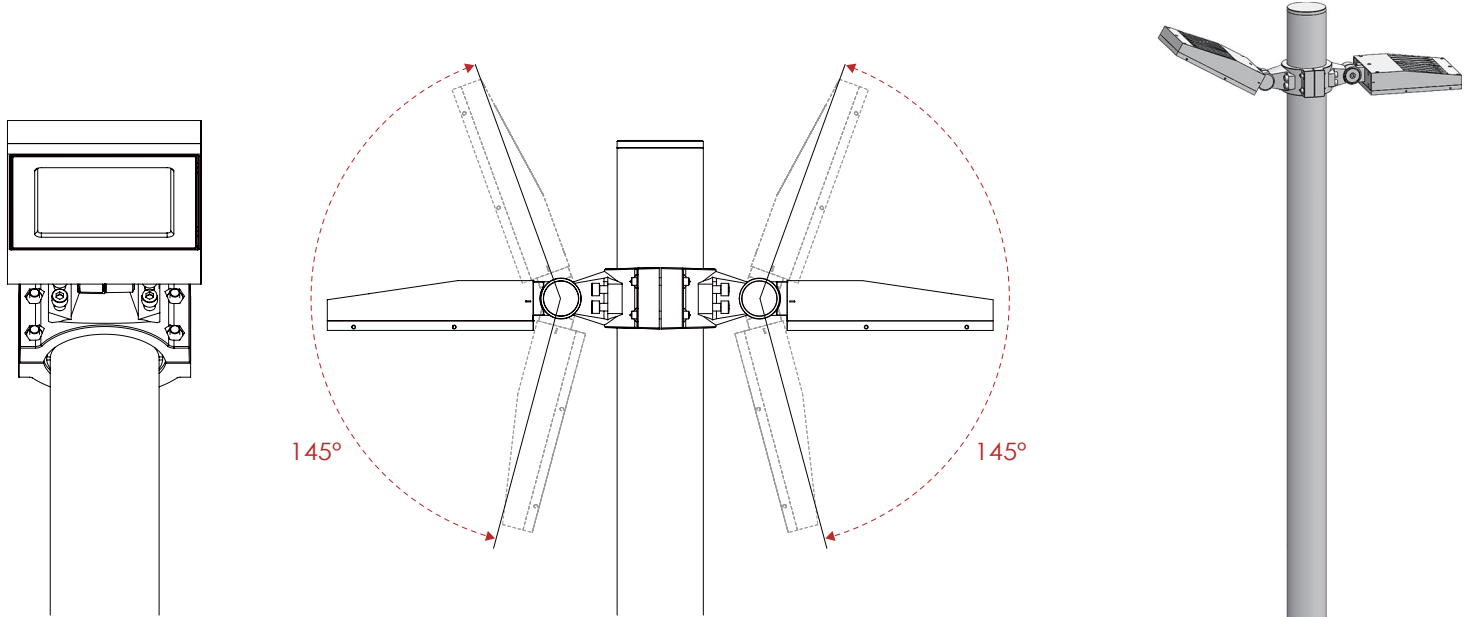


Distance (m)	Illuminance at a Distance	
	Center Beam LUX	Beam Width (V x H)
2m	369.27 LUX	1.4m x 1.4m
4m	92.32 LUX	2.8m x 2.8m
6m	41.03 LUX	4.2m x 4.3m
8m	23.08 LUX	5.6m x 5.7m
10m	14.77 LUX	7.0m x 7.1m
12m	10.26 LUX	8.4m x 8.5m

Vert.Spread:38.6 Horiz.Spread:39.0

# Landscape / Street pole light B3YM00000

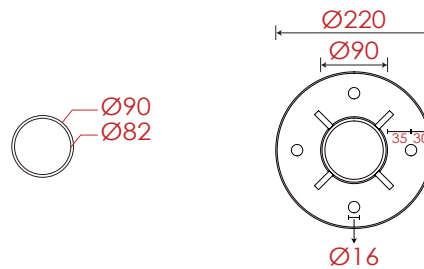
## Adjustable Beam Direction



## Regular Painting Color

Basic	Secondary
Sanded Grey KAL 7042	Sanded Black RAL 9005

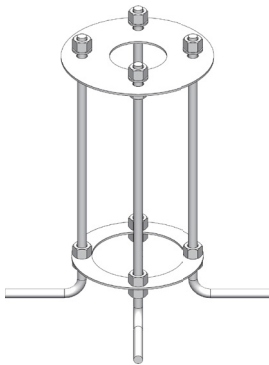
## Flag Base



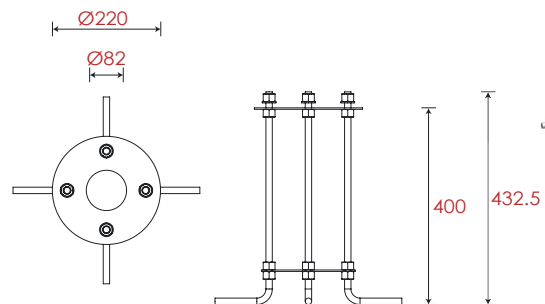
## Pole Dimension & Material

Diameter : Ø90mm  
Height : 3000mm (Customizeable)  
Material : Aluminum

## Accessories

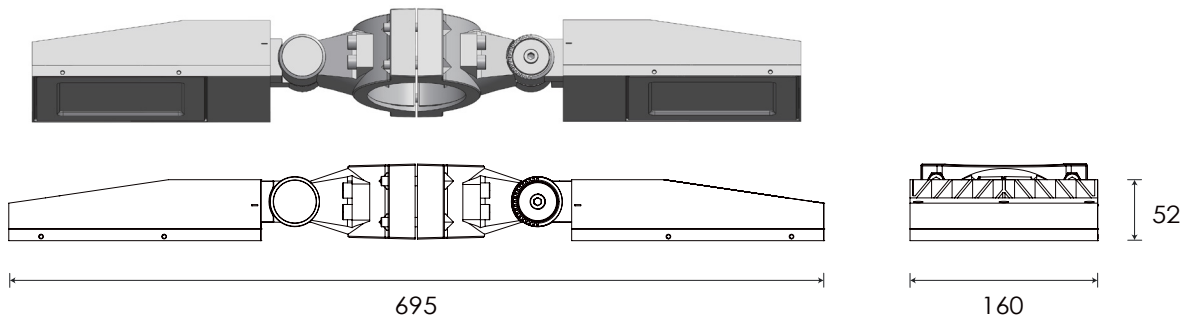


## Base Dimension



Item	Light Source	Lens	The manufacturer selected lens degree(°)Ø1/2	Input voltage(V)	Typical operating current(mA)	Typical consumption(W)	Typical luminance(lm)	IK rate
B9YM-2-1	4 × 3.5W × 2	FB11B4	N/A	DC 24 AC 120 AC 240	24V=630 × 2 120V=146 × 2 240V=73 × 2	24V=15 × 2 120V=17.5 × 2 240V=17 × 2	1206 × 2	07

# Landscape / Street pole light B9YM00000




## Specification

<b>Housing</b>	12# Die-Casting aluminum finishing or powder painting T=60-80μm. Adhesion of ISO class 1/ASTM class 4B.	<b>Power Cable</b>	Outside of luminaire 12V/24V: H05RN-F 2×1.0mm <sup>2</sup> , L=0.3m 120V/240V: H05RN-F 3×1.0mm <sup>2</sup> , L=0.3m
<b>Light Window</b>	Tempered Glass.T=4mm	<b>Mounting Base</b>	Powder coated die-casting aluminum
<b>LED Driver</b>	Constant Voltage Input, Constant Current Output	<b>Dimming Support</b>	TRIAC PWM Available 1-10V Dali Customized
<b>LED</b>	SMD3535		
<b>Lens</b>	Optical lens, efficiency≥85%		

## Operating Restrict

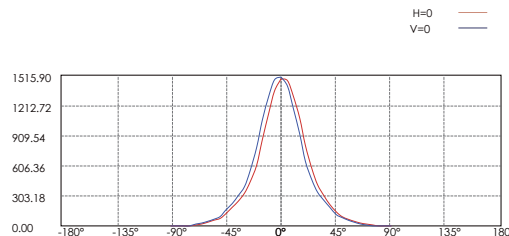
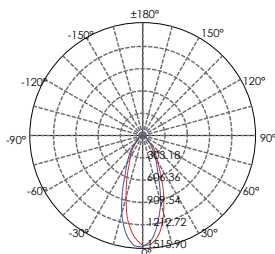
- Temperature of water between -20°C~40°C

## Lens

Item Code	Referenced Degree(°)θ1/2					
 FB11B4	9°	15°	20°	30°	45°	60°

Item	Light Source	Lens	The manufacturer selected lens degree(°)θ1/2	Input voltage(V)	Typical operating current(mA)	Typical consumption(W)	Typical luminance(lm)	IK rate
<b>B9YM00000</b>	4 × 3.5W × 2	FB11B4	N/A	DC 24 AC 120 AC 240	24V=630 × 2 120V=146 × 2 240V=73 × 2	24V=15 × 2 120V=17.5 × 2 240V=17 × 2	1206 × 2	07

## Photometric



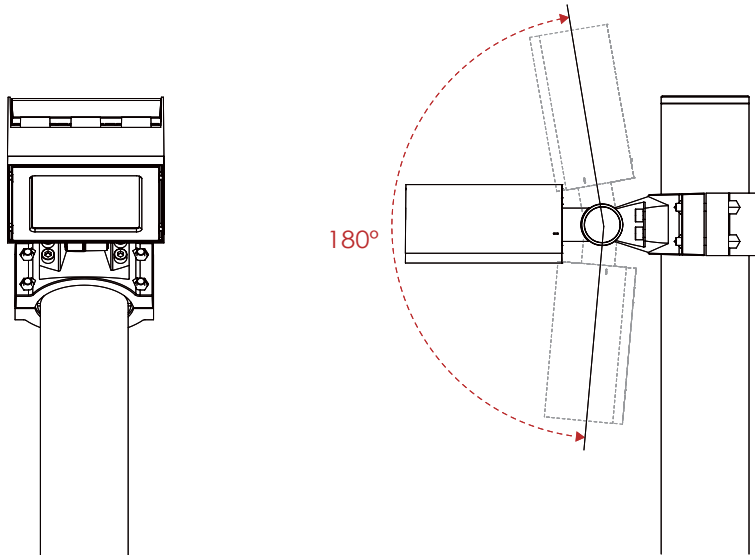
Lux distance Curve

Distance (m)	Illuminance at a Distance		Beam Width	
	Center Beam LUX	Beam Width	V	H
2m	369.27 LUX	1.4m	1.4m	
4m	92.32 LUX	2.8m	2.8m	
6m	41.03 LUX	4.2m	4.3m	
8m	23.08 LUX	5.6m	5.7m	
10m	14.77 LUX	7.0m	7.1m	
12m	10.26 LUX	8.4m	8.5m	

Vert. Spread: 38.6      Horiz. Spread: 39.0

# Landscape / Street pole light B9FMC0958 @9x3W

## Adjustable Beam Direction



## Regular Painting Color

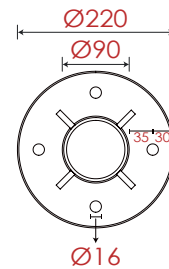
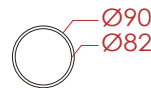
Basic

Sanded Grey  
KAL 7042

Secondary

Sanded Black  
RAL 9005

## Flag Base

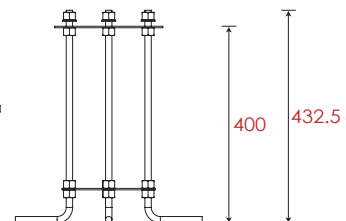
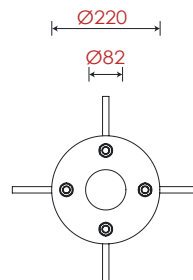
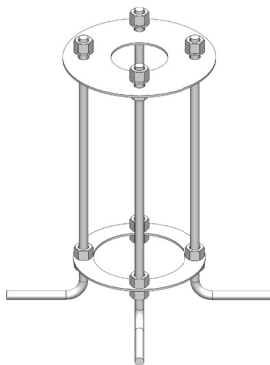


## Pole Dimension & Material

Diameter : Ø90mm  
Height : 3000mm (Customizeable)  
Material : Aluminum

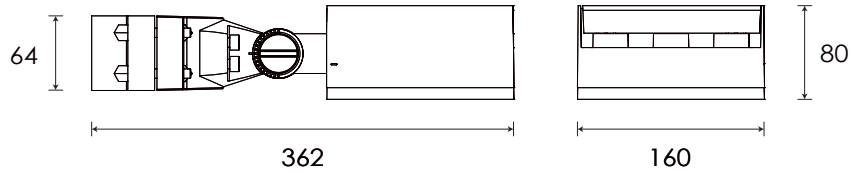
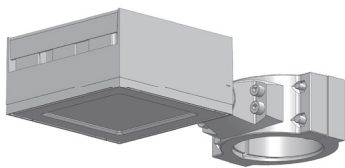
## Accessories

## Base Dimension



Item	Light Source	Lens	The manufacturer selected lens degree(°)Ø1/2	Input voltage(V)	Typical operating current(mA)	Typical consumption(W)	Typical luminance(lm)	IK rate
B9FMC0958	9 × 3W	FB12B5	9°	DC 24 AC 120 AC 240	24V=1375 120V=245 240V=133	24V=33 120V=29.6 240V=30	2632	07

# Landscape / Street pole light B3FMP0958



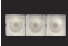
## Specification

<b>Housing</b>	12# Die-Casting aluminum finishing or powder painting T=60-80µm. Adhesion of ISO class 1/ASTM class 4B.	<b>Power Cable</b>	Outside of luminaire 12V/24V: H05RN-F 2×1.0mm <sup>2</sup> , L=0.3m 120V/240V: H05RN-F 3×1.0mm <sup>2</sup> , L=0.3m
<b>Light Window</b>	Tempered Glass. T=4mm	<b>Mounting Base</b>	Powder coated die-casting aluminum
<b>LED Driver</b>	Constant Voltage Input, Constant Current Output	<b>Dimming Support</b>	TRIAC PWM Available 1-10V Dali Customized
<b>LED</b>	SMD3535		
<b>Lens</b>	Optical lens, efficiency ≥85%		

## Operating Restrict

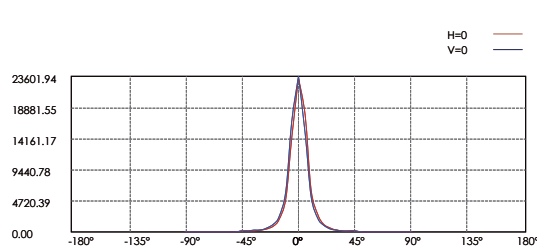
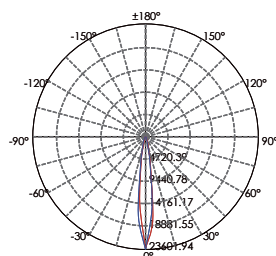
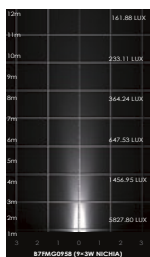
- Temperature of water between -20°C~40°C

## Lens

Item Code	Referenced Degree(°)θ1/2					
 FB12B5	9°	15°	20°	30°	45°	60°

Item	Light Source	Lens	The manufacturer selected lens degree(°)θ1/2	Input voltage(V)	Typical operating current(mA)	Typical consumption(W)	Typical luminance(lm)	IK rate
<b>B9FMP0958</b>	9 × 3W	FB12B5	9°	DC 24 AC 120 AC 240	24V=1375 120V=245 240V=133	24V=33 120V=29.6 240V=30	2632	07

## Photometric

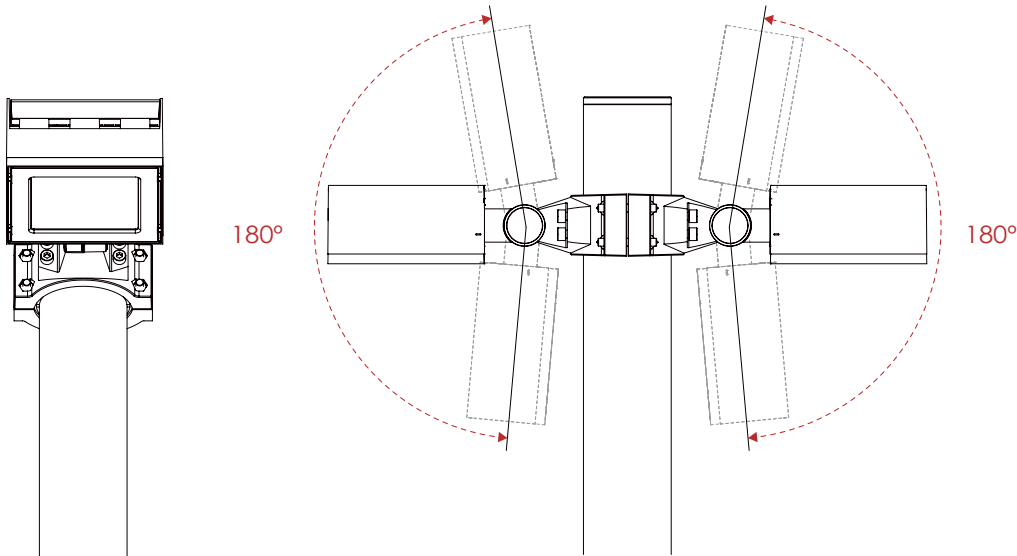


Distance (m)	Illuminance at a Distance	
	Center Beam LUX	Beam Width (V x H)
2m	5827.80 LUX	0.5m x 0.5m
4m	1456.95 LUX	1.0m x 1.0m
6m	647.53 LUX	1.5m x 1.5m
8m	364.24 LUX	2.0m x 2.0m
10m	233.11 LUX	2.4m x 2.4m
12m	161.88 LUX	2.9m x 2.9m

Vert. Spread: 14.0      Horiz. Spread: 14.0

# Landscape / Street pole light B9FMC1858 @9x3Wx2

## Adjustable Beam Direction



## Regular Painting Color

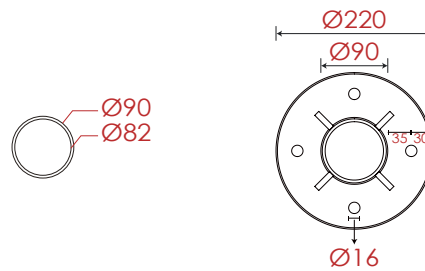
Basic

Sanded Grey  
RAL 7042

Secondary

Sanded Black  
RAL 9005

## Flag Base

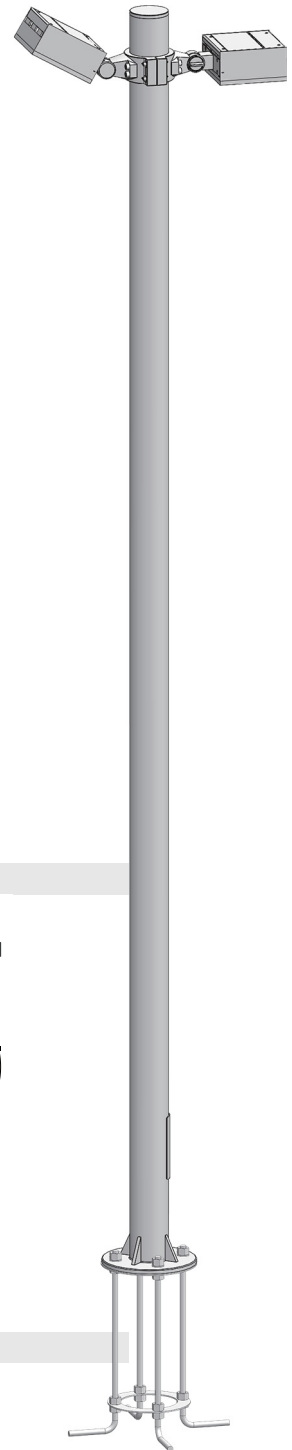
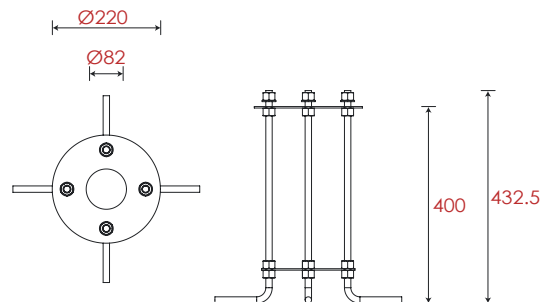
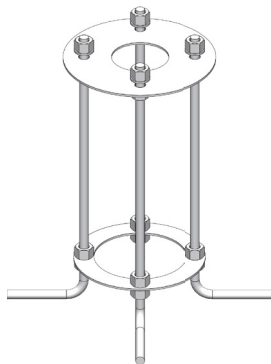


## Pole Dimension & Material

Diameter : Ø90mm  
Height : 3000mm (Customizeable)  
Material : Aluminum

## Accessories

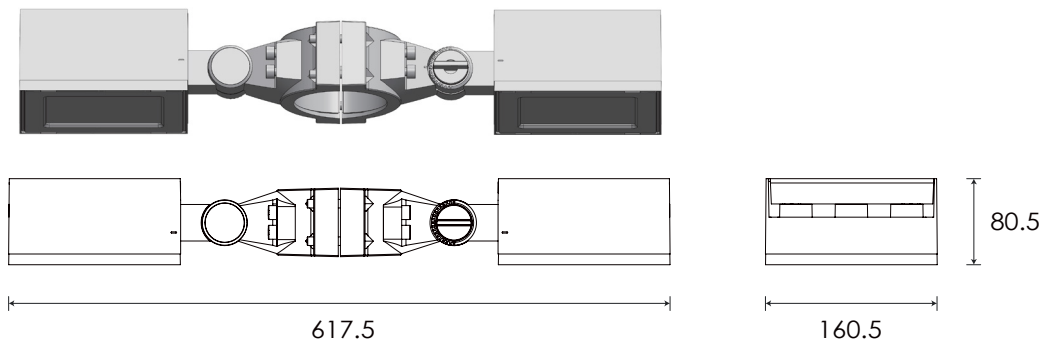
## Base Dimension



Item	Light Source	Lens	The manufacturer selected lens degree(°)Ø1/2	Input voltage(V)	Typical operating current(mA)	Typical consumption(W)	Typical luminance(lm)	IK rate
B9FMC1858	9 × 3W × 2	FB12B5	N/A	DC 24 AC 120 AC 240	24V=1375 × 2 120V=245 × 2 240V=133 × 2	24V=33 × 2 120V=29.6 × 2 240V=30 × 2	2632 × 2	07



# Landscape / Street pole light B3FMP1858



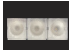
## Specification

<b>Housing</b>	12# Die-Casting aluminum finishing or powder painting T=60-80µm. Adhesion of ISO class 1/ASTM class 4B.	<b>Power Cable</b>	Outside of luminaire 12V/24V: H05RN-F 2×1.0mm², L=0.3m 120V/240V: H05RN-F 3×1.0mm², L=0.3m
<b>Light Window</b>	Tempered Glass. T=4mm	<b>Mounting Base</b>	Powder coated die-casting aluminum
<b>LED Driver</b>	Constant Voltage Input, Constant Current Output	<b>Dimming Support</b>	TRIAC PWM Available 1-10V Dali Customized
<b>LED</b>	SMD3535		
<b>Lens</b>	Optical lens, efficiency ≥85%		

## Operating Restrict

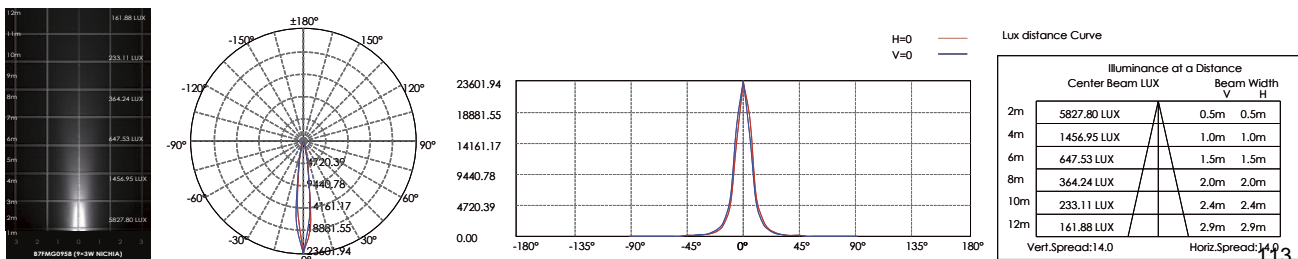
- Temperature of water between -20°C~40°C

## Lens

Item Code	Referenced Degree(°)θ1/2					
 FB12B5	9°	15°	20°	30°	45°	60°

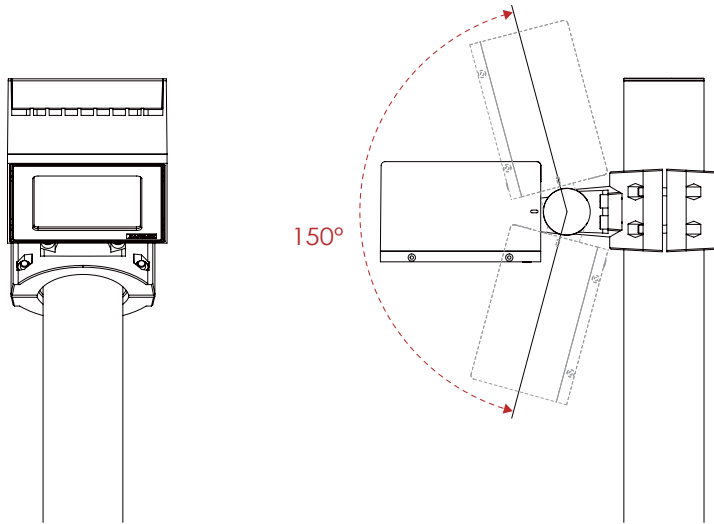
Item	Light Source	Lens	The manufacturer selected lens degree(°)θ1/2	Input voltage(V)	Typical operating current(mA)	Typical consumption(W)	Typical luminance(lm)	IK rate
<b>B9FMP1858</b>	9 × 3W × 2	FB12B5	N/A	DC 24 AC 120 AC 240	24V=1375 × 2 120V=245 × 2 240V=133 × 2	24V=33 × 2 120V=29.6 × 2 240V=30 × 2	2632 × 2	07

## Photometric



# Landscape / Street pole light B9EMC0459 @4x3.5W

## Adjustable Beam Direction



## Regular Painting Color

Basic

Sanded Grey  
KAL 7042

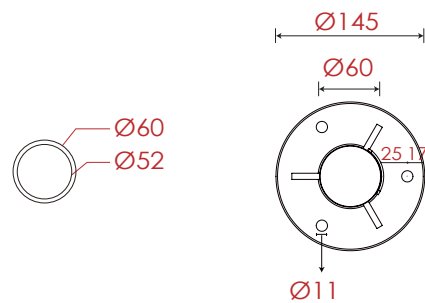
Secondary

Sanded Black  
RAL 9005

## Flag Base

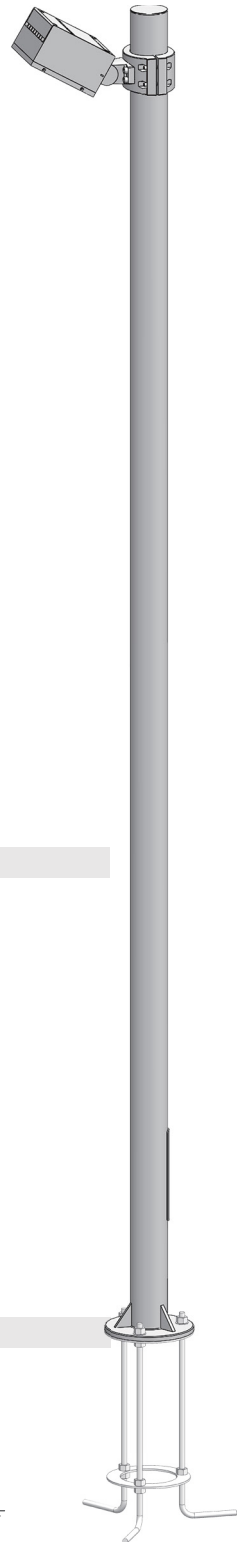
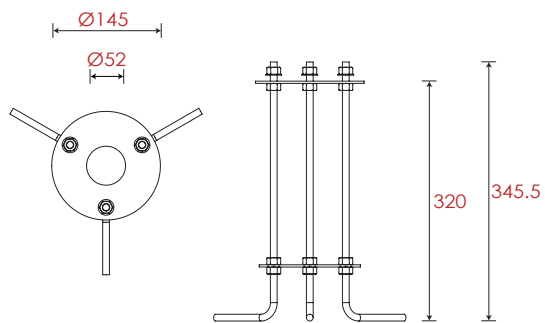
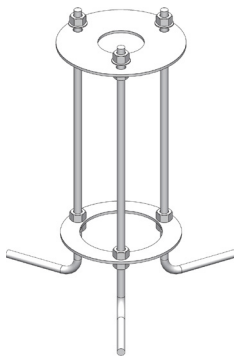
## Pole Dimension

Diameter :  $\varnothing 60\text{mm}$   
Height : 2200mm (Customizeable)  
Material : Aluminum



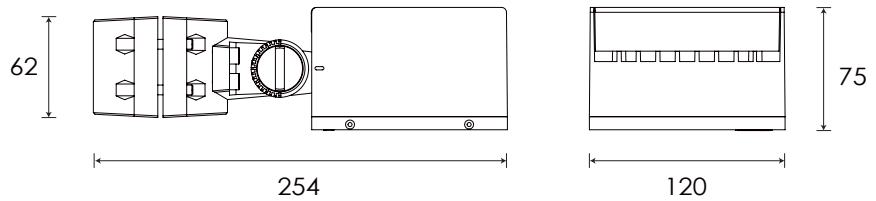
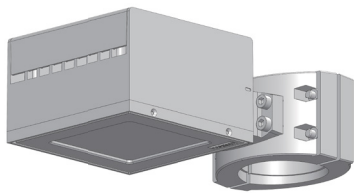
## Accessories

## Base Dimension



Item	Light Source	Lens	The manufacturer selected lens degree(°)θ1/2	Input voltage(V)	Typical operating current(mA)	Typical consumption(W)	Typical luminance(lm)	IK rate
B9EMC0459	4 x 3.5W	FB11B4	30°	DC 24 AC 120 AC 240	24V=630 120V=146 240V=73	24V=15 120V=17.5 240V=17	1206	07

# Landscape / Street pole light B9EMP0459




## Specification

<b>Housing</b>	12# Die-Casting aluminum finishing or powder painting T=60-80μm. Adhesion of ISO class 1/ASTM class 4B.	<b>Power Cable</b>	Outside of luminaire 12V/24V: H05RN-F 2×1.0mm <sup>2</sup> , L=0.3m 120V/240V: H05RN-F 3×1.0mm <sup>2</sup> , L=0.3m
<b>Light Window</b>	Tempered Glass.T=4mm	<b>Mounting Base</b>	Powder coated die-casting aluminum
<b>LED Driver</b>	Constant Voltage Input, Constant Current Output	<b>Dimming Support</b>	TRIAC PWM Available 1-10V Dali Customized
<b>LED</b>	SMD3535		
<b>Lens</b>	Optical lens, efficiency≥85%		

## Operating Restrict

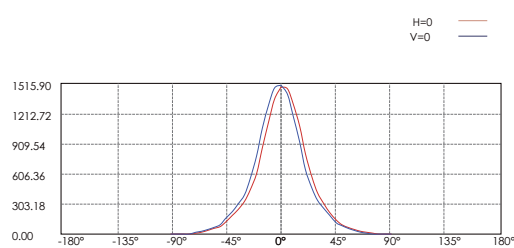
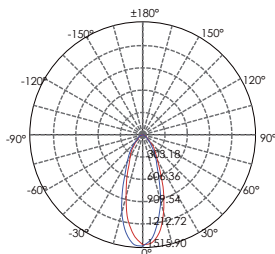
- Temperature of water between -20°C~40°C

## Lens

Item Code	Referenced Degree(°)θ1/2					
 FB11B4	9°	15°	20°	30°	45°	60°

Item	Light Source	Lens	The manufacturer selected lens degree(°)θ1/2	Input voltage(V)	Typical operating current(mA)	Typical consumption(W)	Typical luminance(lm)	IK rate
<b>B9EMP0459</b>	4 × 3.5W	FB11B4	30°	DC 24 AC 120 AC 240	24V=630 120V=146 240V=73	24V=15 120V=17.5 240V=17	1206	07

## Photometric



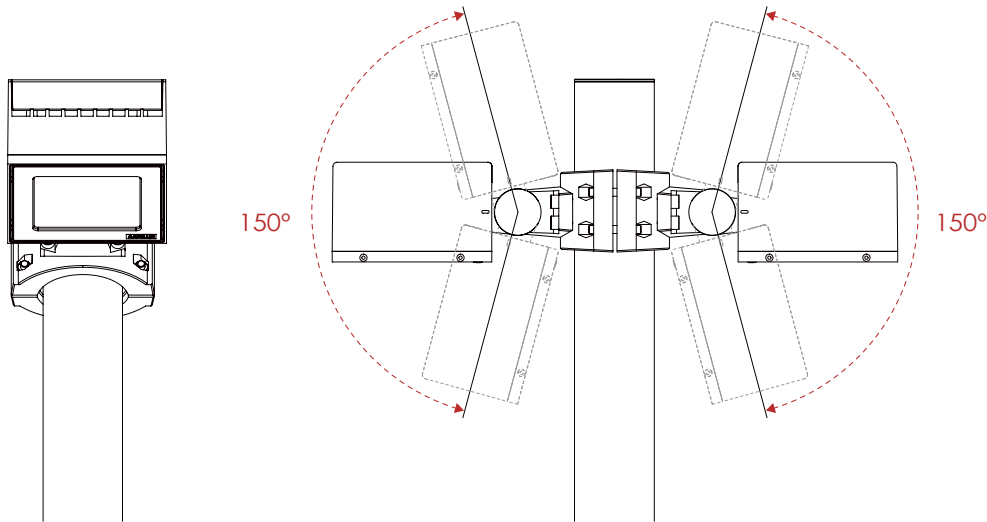
Lux distance Curve

Distance (m)	Illuminance at a Distance	
	Center Beam LUX	Beam Width (V x H)
2m	369.27 LUX	1.4m x 1.4m
4m	92.32 LUX	2.8m x 2.8m
6m	41.03 LUX	4.2m x 4.3m
8m	23.08 LUX	5.6m x 5.7m
10m	14.77 LUX	7.0m x 7.1m
12m	10.26 LUX	8.4m x 8.5m

Vert.Spread:38.6 Horiz.Spread:39.0

# Landscape / Street pole light B9EMP0459

## Adjustable Beam Direction



**B9EMC0859 @4x3.5W**

## Regular Painting Color

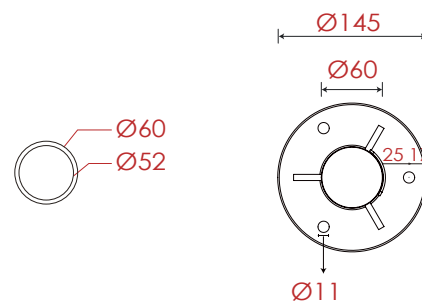
Basic

Sanded Grey  
KAL 7042

Secondary

Sanded Black  
RAL 9005

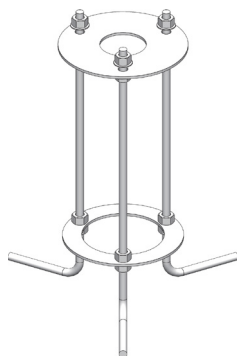
## Flag Base



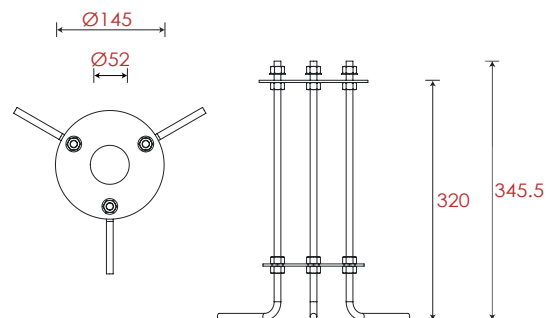
## Pole Dimension

Diameter : Ø60mm  
Height : 2200mm (Customizeable)  
Material : Aluminum

## Accessories

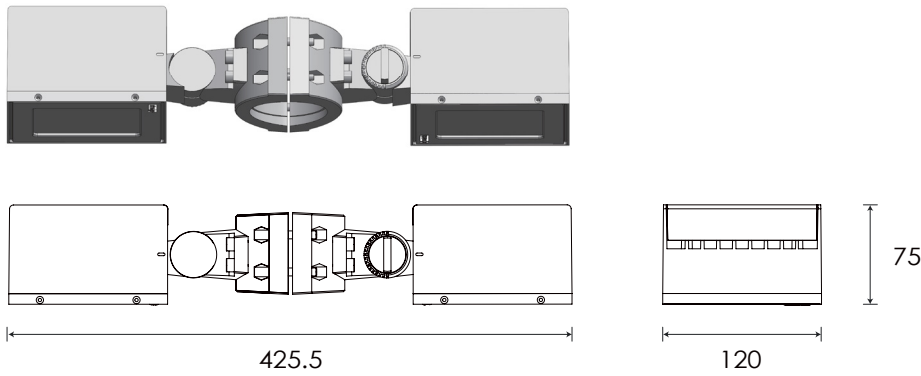


## Base Dimension



Item	Light Source	Lens	The manufacturer selected lens degree(°)Ø1/2	Input voltage(V)	Typical operating current(mA)	Typical consumption(W)	Typical luminance(lm)	IK rate
B9EMC0859	4 x 3.5W x 2	FB11B4	N/A	DC 24 AC 120 AC 240	24V=630 x 2 120V=146 x 2 240V=73 x 2	24V=15 x 2 120V=17.5 x 2 240V=17 x 2	1206 x 2	07

# Landscape / Street pole light B3EMP0859



## Specification

**Housing** 12# Die-Casting aluminum finishing or powder painting  
T=60-80μm. Adhesion of ISO class 1/ASTM class 4B.

**Light Window** Tempered Glass. T=4mm

**LED Driver** Constant Voltage Input, Constant Current Output

**LED** SMD3535

**Lens** Optical lens, efficiency ≥ 85%

**Power Cable** Outside of luminaire  
12V/24V: H05RN-F 2×1.0mm<sup>2</sup>, L=0.3m  
120V/240V: H05RN-F 3×1.0mm<sup>2</sup>, L=0.3m

**Mounting Base** Powder coated die-casting aluminum

**Dimming Support** TRIAC PWM Available  
1-10V Dali Customized

## Operating Restrict

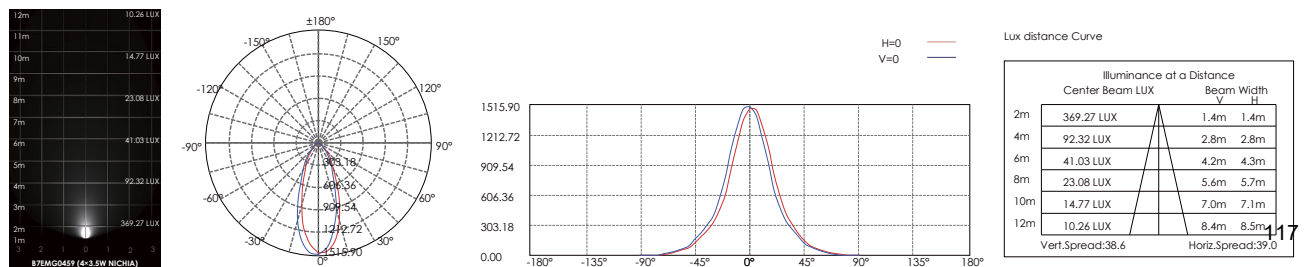
- Temperature of water between -20°C~40°C

## Lens

Item Code	Referenced Degree(°)θ1/2					
 FB11B4	9°	15°	20°	30°	45°	60°

Item	Light Source	Lens	The manufacturer selected lens degree(°)θ1/2	Input voltage(V)	Typical operating current(mA)	Typical consumption(W)	Typical luminance(lm)	IK rate
B3EMP0859	4 × 3.5W × 2	FB11B4	N/A	DC 24 AC 120 AC 240	24V=630 × 2 120V=146 × 2 240V=73 × 2	24V=15 × 2 120V=17.5 × 2 240V=17 × 2	1206 × 2	07

## Photometric



# Contact details

## **IINNO Ltd**

2101A Nan Fung Centre,  
264-298 Castle Peak Road,  
Tsuen Wan, Hong Kong

Tel: +852 2134 9906

+86 (0)769 23010151/2

M: +86 13922905402

Email: [sales@iinno-lighting.com](mailto:sales@iinno-lighting.com)

[www.iinno-lighting.com](http://www.iinno-lighting.com)

