



# CL13 & CL15 series

Designing your lighting solutions



# CL13 GT Series

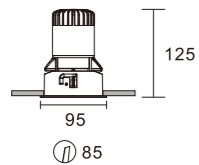


High power COB downlight and high brightness with double reflectors design, shares with you the shining light and gorgeous feeling without glare.

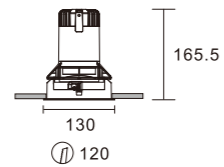
# CL13 GT Series



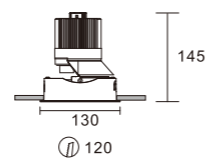
KAS-CL13R-3F  
Power:10W/15W  
Cutout: 85mm  
Height: 125m



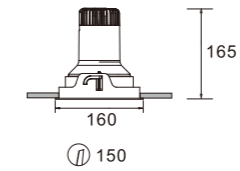
KAS-CL13R-4F  
Power:15W/20W/25W  
Cutout: 120mm  
Height: 165.5m



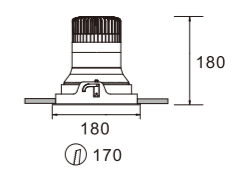
KAS-CL13R-4F  
Power:30W  
Cutout: 120mm  
Height: 145m



KAS-CL13R-5F  
Power:15W/20W/25W  
Cutout: 150mm  
Height: 165m



KAS-CL13R-6F  
Power:30W/40W  
Cutout: 170mm  
Height: 180m



# CL13 GT Series



<p><b>KAS-CL13R-3T</b> Power:10W/15W Cutout: 85mm Height: 125m</p>	<p><b>KAS-CL13R-4T</b> Power:15W/20W/25W Cutout: 120mm Height: 165.5m</p>	<p><b>KAS-CL13R-4T</b> Power:30W Cutout: 120mm Height: 145m</p>	<p><b>KAS-CL13R-5T</b> Power:15W/20W/25W Cutout: 150mm Height: 165m</p>	<p><b>KAS-CL13R-6T</b> Power:30W/40W Cutout: 170mm Height: 180m</p>	<p><b>KAS-CL13R-315T-R1D</b> Power:15W Cutout: 135mm Height: 125m</p>	<p><b>KAS-CL13R-420T</b> Power:20W/25W Cutout: 170mm Height: 180m</p>	<p><b>KAS-CL13R-430T</b> Power:30W Cutout: 170mm Height: 145m</p>
--	---	---	---	---	---	---	---

# CL13 GT Series

Model	KAS-CL13R-3F	KAS-CL13R-4F	KAS-CL13R-4F		KAS-CL13R-5F	KAS-CL13R-6F
Product Photo						
Dimension(mm)						
Cutout(mm)	85	120	120		150	170
Wattage	10W/15W	15W/20W/25W	30W		15W/20W/25W	30W/40W
CCT	2700K 3000K 3500K 4000K	2700K 3000K 3500K 4000K	2700K 3000K 3500K 4000K		2700K 3000K 3500K 4000K	2700K 3000K 3500K 4000K
CRI	>90	>90	>90		>90	>90
Beam Angle	15°/24°/36°	15°/24°/36°	15°/24°/40°		20°/30°/36°/45°	15°/24°/30°/36°/45°
Lumen	550-770LM	750-1200LM	1700LM		1150-1800LM	2100-2900LM
IP	IP20	IP20	IP20		IP20	IP20
Dimming	TRIAC/1-10V/DALI	TRIAC/1-10V/DALI	TRIAC/1-10V/DALI		TRIAC/1-10V/DALI	TRIAC/1-10V/DALI
Reflector Colour	Highly specular aluminium UV processed black cup Gold White	Highly specular aluminium UV processed black cup Gold White	Highly specular aluminium UV processed black cup Gold White		Highly specular aluminium UV processed black cup Gold White	Highly specular aluminium UV processed black cup Gold White
Colour	White+Iron gray	White+Iron gray	White+Iron gray		White+Iron gray	White+Iron gray

## Reflecting Accessories



Highly specular  
aluminium

UV processed  
black cup

Gold

# CL13 GT Series

Model	KAS-CL13R-3T	KAS-CL13R-4T	KAS-CL13R-4T	KAS-CL13R-5T	KAS-CL13R-6T
Product Photo					
Dimension(mm)					
Cutout(mm)	85	120	120	150	170
Wattage	10W/15W	15W/20W/25W	30W	15W/20W/25W	30W/40W
CCT	2700K 3000K 3500K 4000K	2700K 3000K 3500K 4000K	2700K 3000K 3500K 4000K	2700K 3000K 3500K 4000K	2700K 3000K 3500K 4000K
CRI	>90	>90	>90	>90	>90
Beam Angle	15°/24°/36°	15°/24°/36°	15°/24°/40°	20°/30°/36°/45°	15°/24°/30°/36°/45°
Lumen	550-770LM	750-1200LM	1700LM	1150-1800LM	2100-2900LM
IP	IP20	IP20	IP20	IP20	IP20
Dimming	TRIAC/1-10V/DALI	TRIAC/1-10V/DALI	TRIAC/1-10V/DALI	TRIAC/1-10V/DALI	TRIAC/1-10V/DALI
Reflector Colour	Highly specular aluminium UV processed black cup Gold White	Highly specular aluminium UV processed black cup Gold White	Highly specular aluminium UV processed black cup Gold White	Highly specular aluminium UV processed black cup Gold White	Highly specular aluminium UV processed black cup Gold White
Colour	White+Iron gray	White+Iron gray	White+Iron gray	White+Iron gray	White+Iron gray

## Reflecting Accessories



Highly specular aluminium

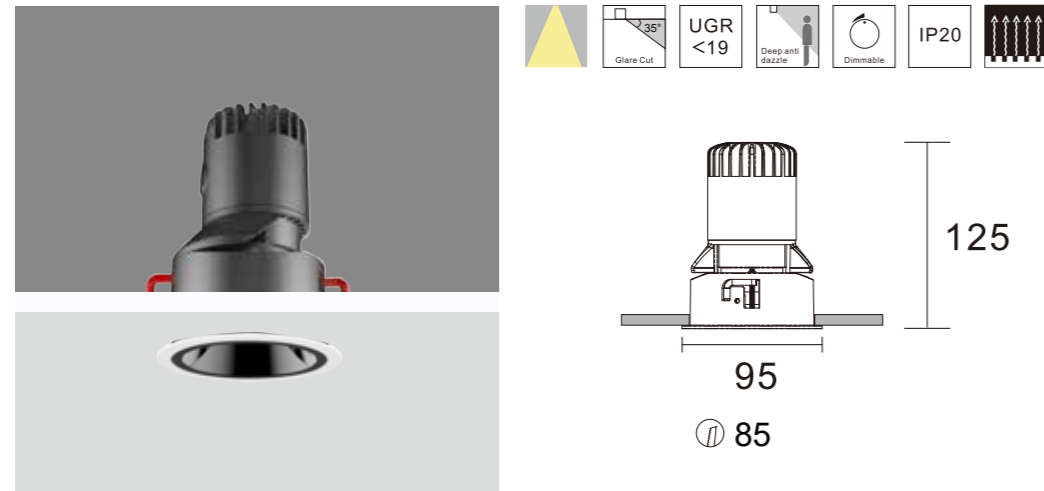


UV processed black cup

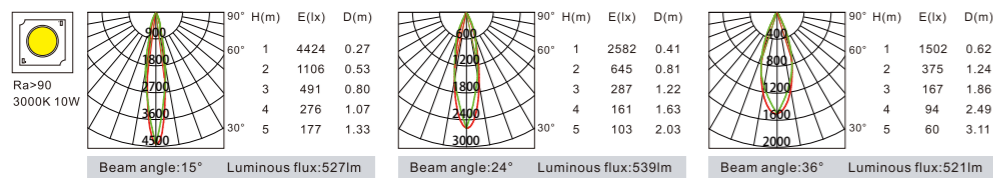


Gold

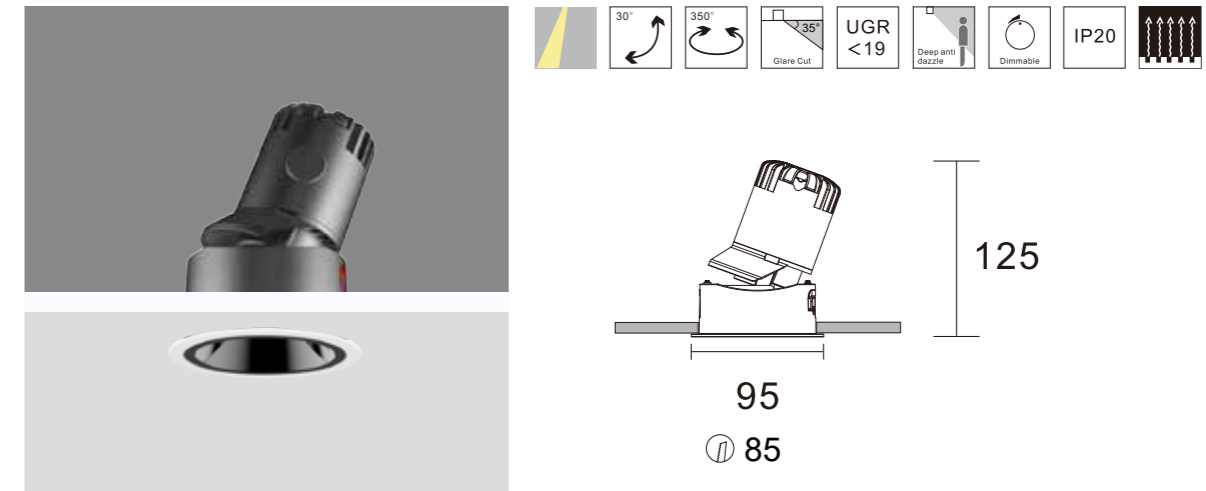
# KAS-CL13R-3F



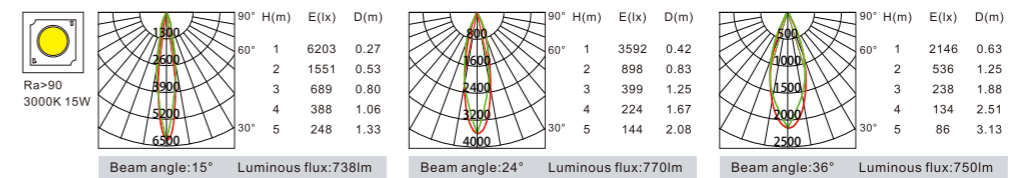
Model	Power	LED voltage	LED Current	CRI	CCT	Beam Angle	LED Output	System output	Dimming Type
KAS-CL13R-3510F	10W	34V	250mA	90	2700K	15°	890lm	479lm	ON-OFF
						24°	890lm	500lm	TRIAC
						36°	890lm	483lm	1-10V DALI
KAS-CL13R-3510T	10W	34V	250mA	90	3000K	15°	959lm	527lm	ON-OFF
						24°	959lm	539lm	TRIAC
						36°	959lm	521lm	1-10V DALI
KAS-CL13R-3510T	10W	34V	250mA	90	4000K	15°	1017lm	558lm	ON-OFF
						24°	1017lm	571lm	TRIAC
						36°	1017lm	552lm	1-10V DALI



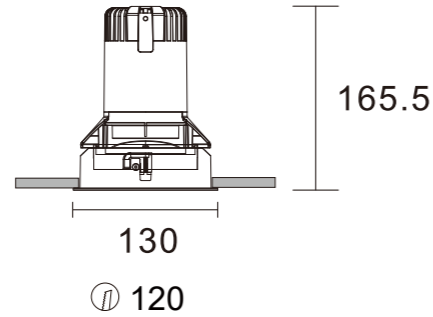
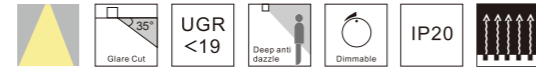
# KAS-CL13R-3T



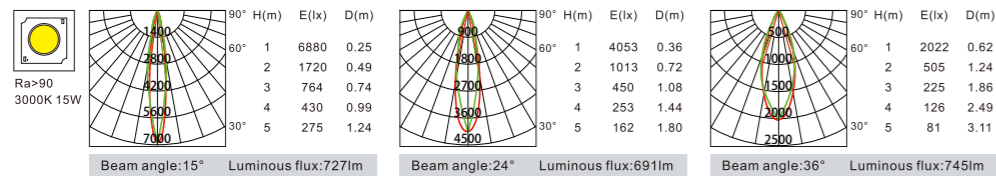
Model	Power	LED voltage	LED Current	CRI	CCT	Beam Angle	LED Output	System output	Dimming Type
KAS-CL13R-3515F	15W	34V	350mA	90	2700K	15°	1454lm	709lm	ON-OFF
						24°	1454lm	740lm	TRIAC
						36°	1454lm	721lm	1-10V DALI
KAS-CL13R-3515T	15W	34V	350mA	90	3000K	15°	1512lm	738lm	ON-OFF
						24°	1512lm	770lm	TRIAC
						36°	1512lm	750lm	1-10V DALI
KAS-CL13R-3515T	15W	34V	350mA	90	4000K	15°	1536lm	749lm	ON-OFF
						24°	1536lm	782lm	TRIAC
						36°	1536lm	761lm	1-10V DALI



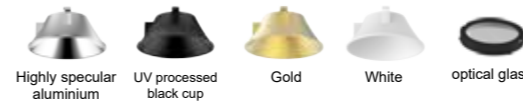
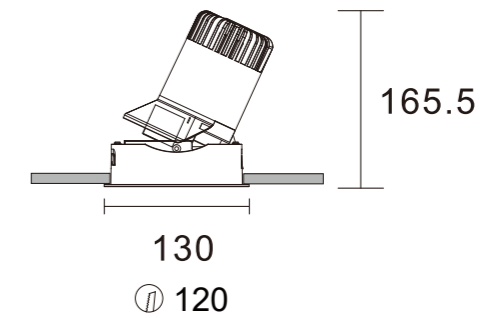
# KAS-CL13R-4T



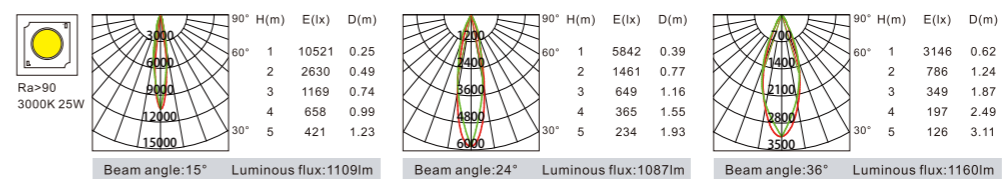
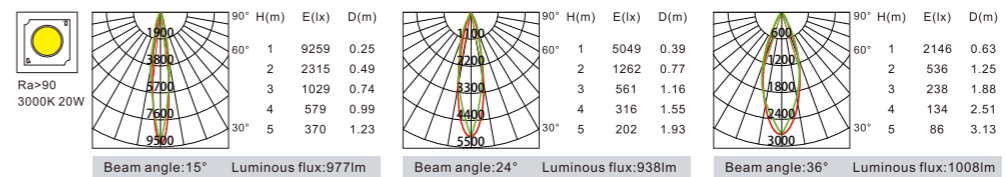
Model	Power	LED voltage	LED Current	CRI	CCT	Beam Angle	LED Output	System output	Dimming Type
KAS-CL13R-415F	15W	34V	350mA	90	2700K	15°	1490lm	699lm	ON-OFF TRIAC
						24°	1490lm	664lm	1-10V
						36°	1490lm	716lm	DALI
KAS-CL13R-415T	15W	34V	350mA	90	3000K	15°	1549lm	727lm	ON-OFF TRIAC
						24°	1549lm	691lm	1-10V
						36°	1549lm	745lm	DALI
KAS-CL13R-415T	15W	34V	350mA	90	4000K	15°	1573lm	738lm	ON-OFF TRIAC
						24°	1573lm	701lm	1-10V
						36°	1573lm	756lm	DALI



# KAS-CL13R-4F

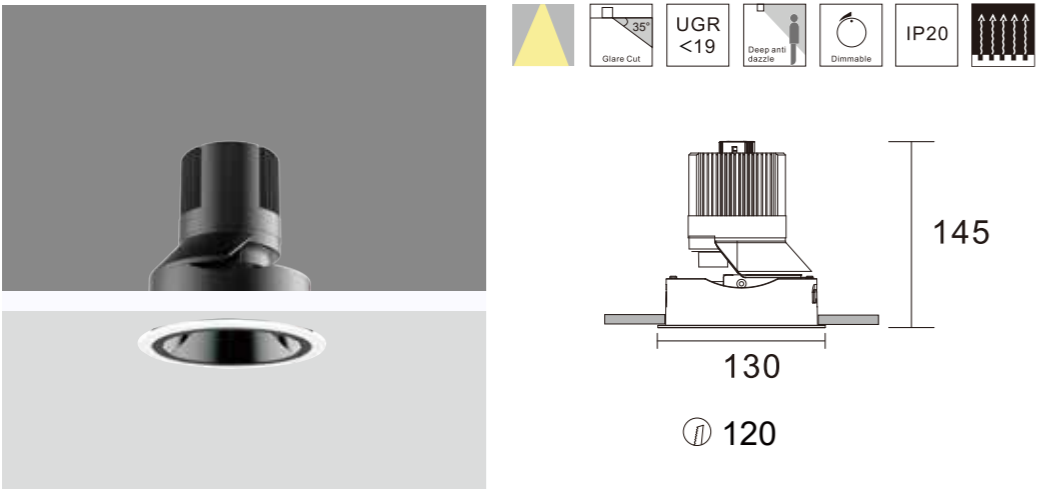


Model	Power	LED voltage	LED Current	CRI	CCT	Beam Angle	LED Output	System output	Dimming Type
KAS-CL13R-420F	20W	34V	500mA	90	2700K	15°	2130lm	940lm	ON-OFF TRIAC
						24°	2130lm	902lm	1-10V
						36°	2130lm	970lm	DALI
KAS-CL13R-420T	20W	34V	500mA	90	3000K	15°	2213lm	977lm	ON-OFF TRIAC
						24°	2213lm	938lm	1-10V
						36°	2213lm	1008lm	DALI
KAS-CL13R-420T	20W	34V	500mA	90	4000K	15°	2247lm	992lm	ON-OFF TRIAC
						24°	2247lm	952lm	1-10V
						36°	2247lm	1023lm	DALI
KAS-CL13R-425F	25W	34V	600mA	90	2700K	15°	2556lm	1067lm	ON-OFF TRIAC
KAS-CL13R-425T	25W	34V	600mA	90	3000K	24°	2556lm	1046lm	1-10V
						36°	2556lm	1087lm	DALI
KAS-CL13R-425T	25W	34V	600mA	90	4000K	15°	2656lm	1109lm	ON-OFF TRIAC
						24°	2656lm	1087lm	1-10V
						36°	2656lm	1160lm	DALI
KAS-CL13R-425T	25W	34V	600mA	90	4000K	15°	2696lm	1125lm	ON-OFF TRIAC
						24°	2696lm	1103lm	1-10V
						36°	2696lm	1177lm	DALI

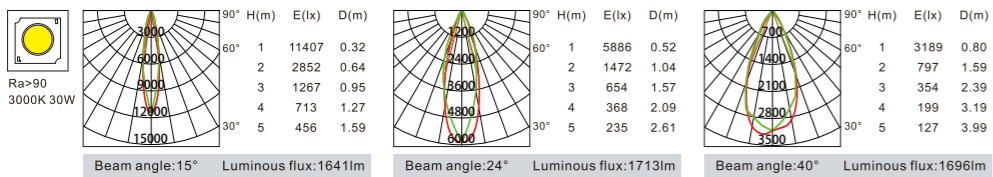




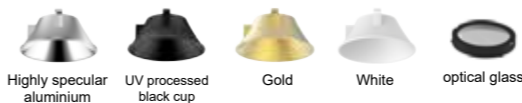
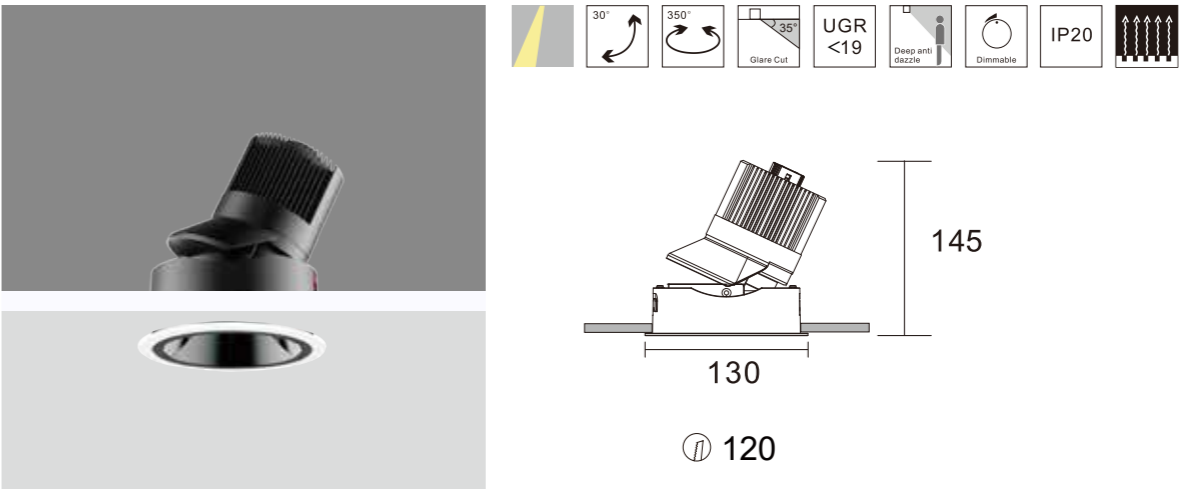
# KAS-CL13R-4F



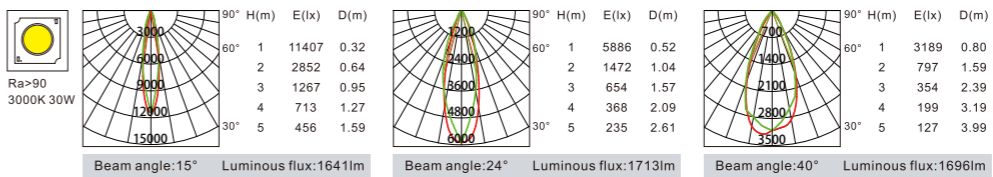
Model	Power	LED voltage	LED Current	CRI	CCT	Beam Angle	LED Output	System output	Dimming Type
KAS-CL13R-430F	30W	34V	700mA	90	2700K	15°	2982lm	1579lm	ON-OFF
						24°	2982lm	1648lm	TRIAC
						40°	2982lm	1626lm	1-10V DALI
	30W	34V	700mA	90	3000K	15°	3098lm	1641lm	ON-OFF
						24°	3098lm	1713lm	TRIAC
						40°	3098lm	1696lm	1-10V DALI
	30W	34V	700mA	90	4000K	15°	3146lm	1666lm	ON-OFF
						24°	3146lm	1739lm	TRIAC
						40°	3146lm	1722lm	1-10V DALI



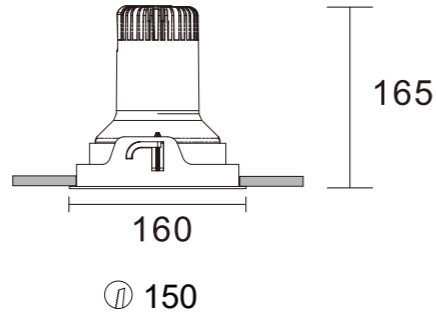
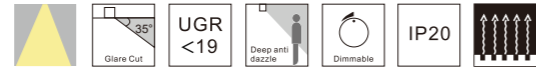
# KAS-CL13R-4T



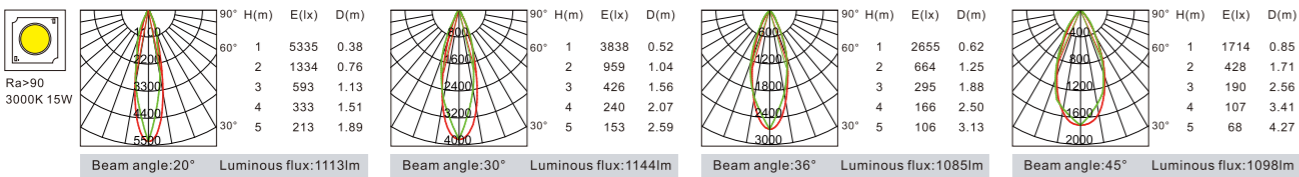
Model	Power	LED voltage	LED Current	CRI	CCT	Beam Angle	LED Output	System output	Dimming Type
KAS-CL13R-430T	30W	34V	700mA	90	2700K	15°	2982lm	1579lm	ON-OFF
						24°	2982lm	1648lm	TRIAC
						40°	2982lm	1626lm	1-10V DALI
	30W	34V	700mA	90	3000K	15°	3098lm	1641lm	ON-OFF
						24°	3098lm	1713lm	TRIAC
						40°	3098lm	1696lm	1-10V DALI
	30W	34V	700mA	90	4000K	15°	3146lm	1666lm	ON-OFF
						24°	3146lm	1739lm	TRIAC
						40°	3146lm	1722lm	1-10V DALI



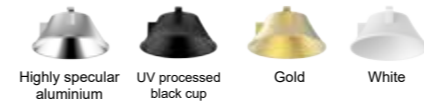
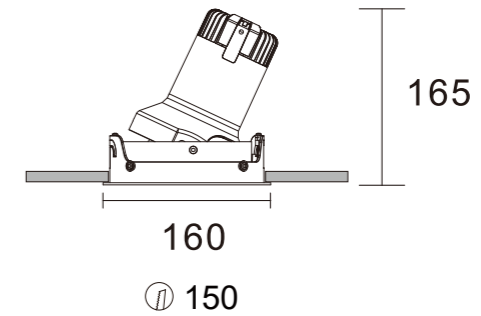
# KAS-CL13R-5F



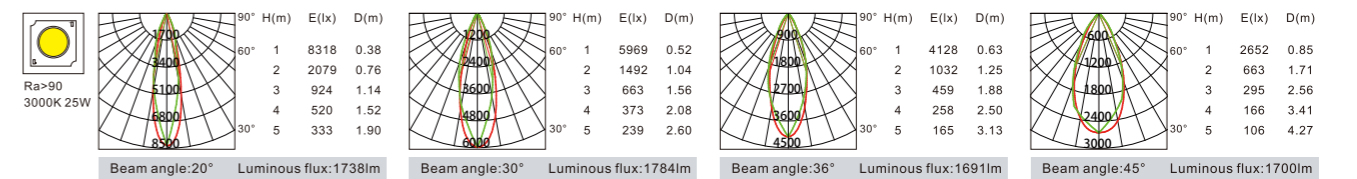
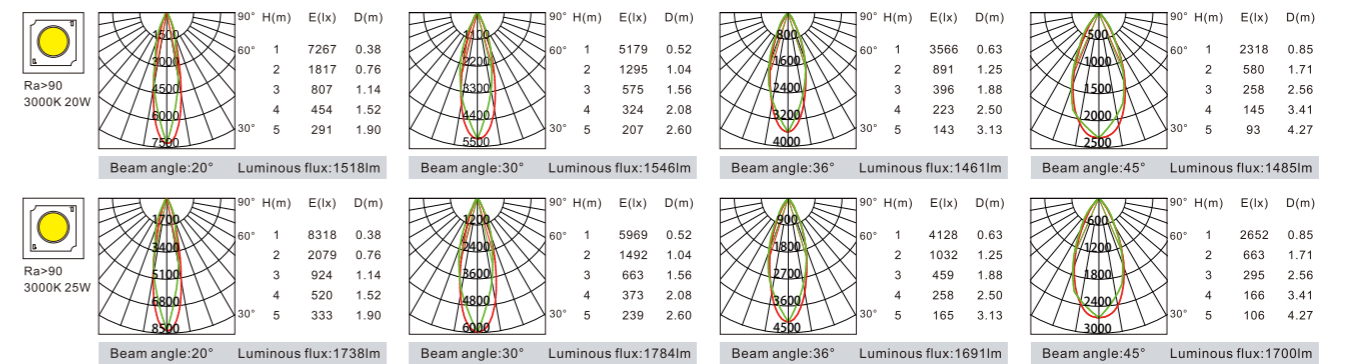
Model	Power	LED voltage	LED Current	CRI	CCT	Beam Angle	LED Output	System output	Dimming Type
KAS-CL13R-515F	15W	34V	350mA	90	2700K	20°	1490lm	1070lm	ON-OFF
						30°	1490lm	1100lm	TRIAC
						36°	1490lm	1043lm	1-10V
KAS-CL13R-515T	15W	34V	350mA	90	3000K	45°	1490lm	1056lm	DALI
						20°	1549lm	1113lm	ON-OFF
						30°	1549lm	1144lm	TRIAC
						36°	1549lm	1085lm	1-10V
	15W	34V	350mA	90	4000K	45°	1549lm	1098lm	DALI
						20°	1573lm	1130lm	ON-OFF
						30°	1573lm	1161lm	TRIAC
	15W	34V	350mA	90	4000K	36°	1573lm	1101lm	1-10V
						45°	1573lm	1115lm	DALI



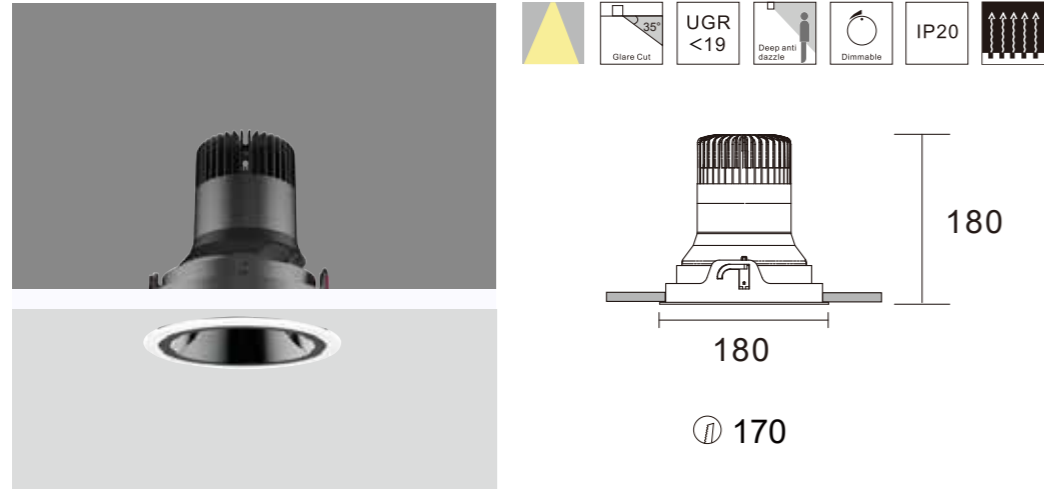
# KAS-CL13R-5T



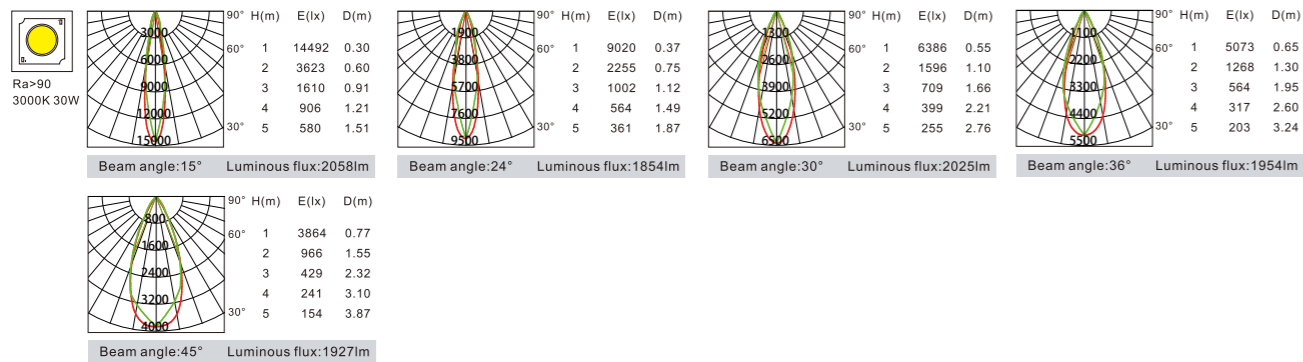
Model	Power	LED voltage	LED Current	CRI	CCT	Beam Angle	LED Output	System output	Dimming Type
KAS-CL13R-520F	20W	34V	500mA	90	2700K	20°	2130lm	1461lm	ON-OFF
						30°	2130lm	1488lm	TRIAC
						36°	2130lm	1406lm	1-10V
KAS-CL13R-520T	20W	34V	500mA	90	3000K	45°	2130lm	1429lm	DALI
						20°	2213lm	1518lm	ON-OFF
						30°	2213lm	1546lm	TRIAC
						36°	2213lm	1461lm	1-10V
	20W	34V	500mA	90	3000K	45°	2213lm	1485lm	DALI
						20°	2247lm	1541lm	ON-OFF
						30°	2247lm	1569lm	TRIAC
	20W	34V	500mA	90	4000K	36°	2247lm	1483lm	1-10V
						45°	2247lm	1507lm	DALI
						20°	2247lm	1507lm	ON-OFF
KAS-CL13R-525F	25W	34V	600mA	90	2700K	20°	2556lm	1672lm	ON-OFF
						30°	2556lm	1716lm	TRIAC
						36°	2556lm	1627lm	1-10V
KAS-CL13R-525T	25W	34V	600mA	90	3000K	45°	2556lm	1630lm	DALI
						20°	2656lm	1738lm	ON-OFF
						30°	2656lm	1784lm	TRIAC
						36°	2656lm	1691lm	1-10V
	25W	34V	600mA	90	3000K	45°	2656lm	1700lm	DALI
						20°	2696lm	1767lm	ON-OFF
						30°	2696lm	1810lm	TRIAC
	25W	34V	600mA	90	4000K	36°	2696lm	1716lm	1-10V
						45°	2696lm	1725lm	DALI
						20°	2696lm	1725lm	ON-OFF



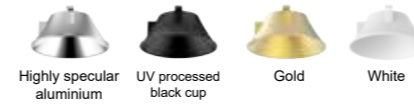
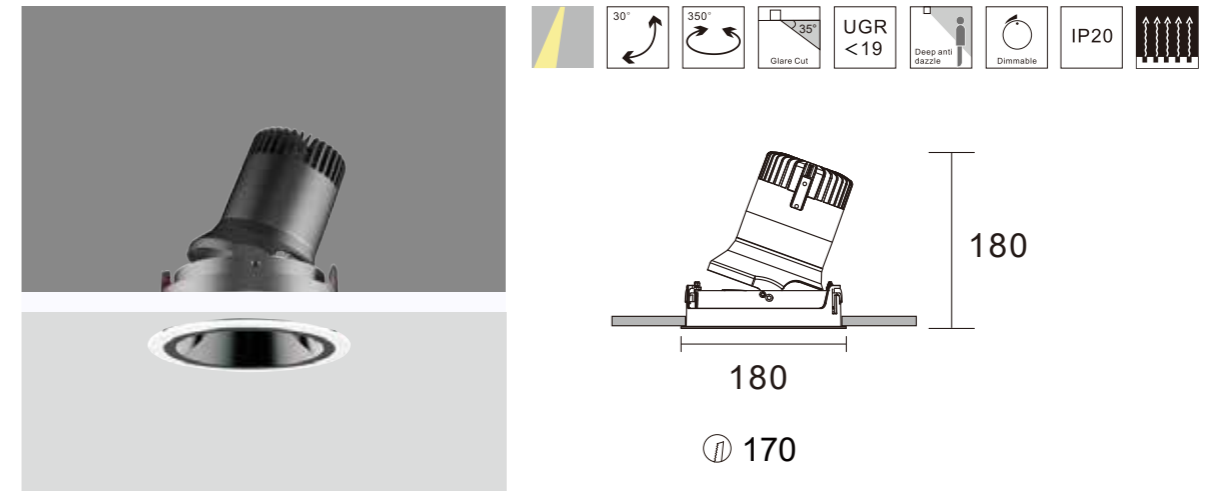
# KAS-CL13R-6T



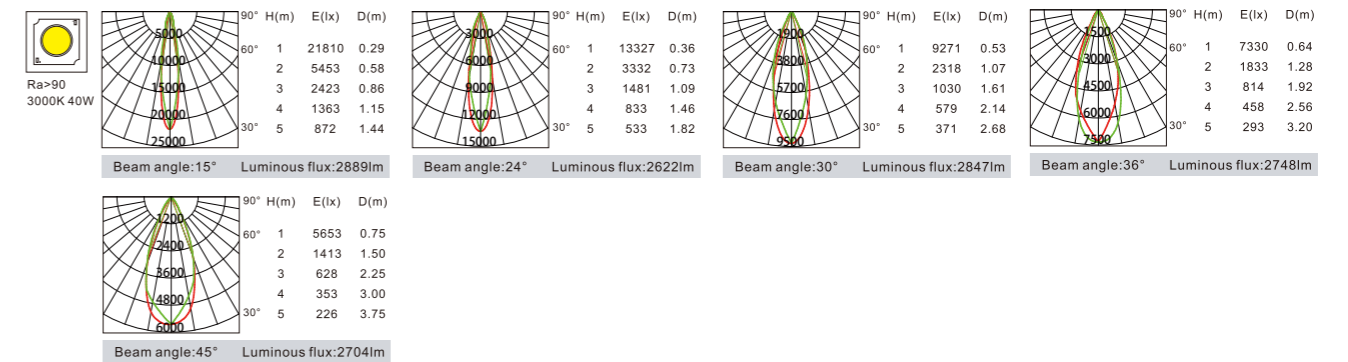
Model	Power	LED voltage	LED Current	CRI	CCT	Beam Angle	LED Output	System output	Dimming Type
KAS-CL13R-630F	30W	34V	800mA	90	2700K	15°	2982lm	1982lm	ON-OFF TRIAC 1-10V DALI
						24°	2982lm	1785lm	
						30°	2982lm	1950lm	
						36°	2982lm	1882lm	
						45°	2982lm	1856lm	
KAS-CL13R-630T	30W	34V	800mA	90	3000K	15°	3096lm	2058lm	ON-OFF TRIAC 1-10V DALI
						24°	3096lm	1854lm	
						30°	3096lm	2025lm	
						36°	3096lm	1954lm	
						45°	3096lm	1927lm	
KAS-CL13R-640F	30W	34V	800mA	90	4000K	15°	3146lm	2091lm	ON-OFF TRIAC 1-10V DALI
						24°	3146lm	1883lm	
						30°	3146lm	2057lm	
						36°	3146lm	1985lm	
						45°	3146lm	1958lm	



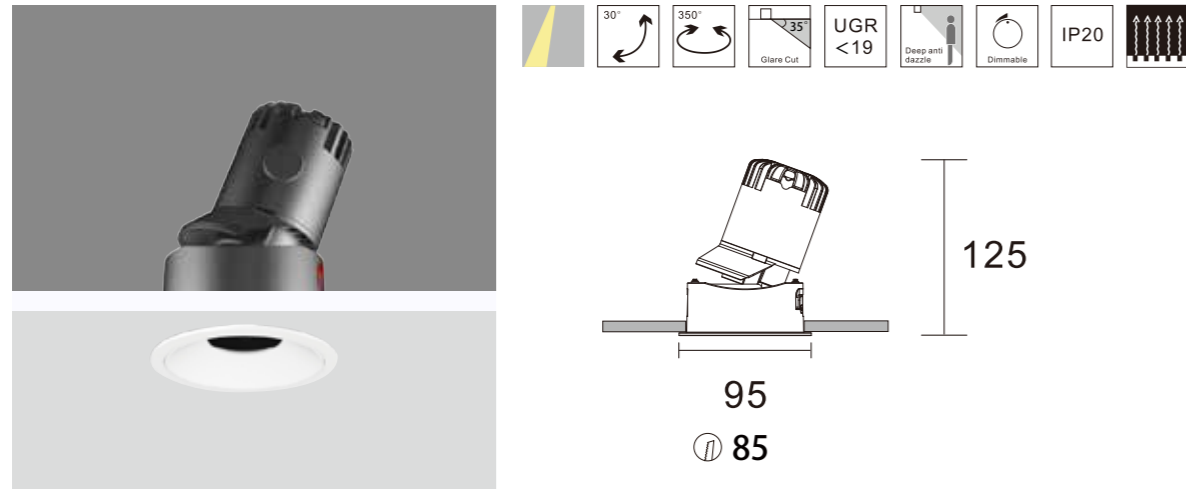
# KAS-CL13R-6F



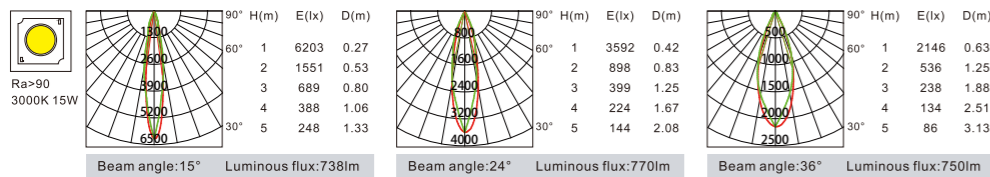
Model	Power	LED voltage	LED Current	CRI	CCT	Beam Angle	LED Output	System output	Dimming Type
KAS-CL13R-640F	40W	34V	1000mA	90	2700K	15°	4133lm	2778lm	ON-OFF TRIAC 1-10V DALI
						24°	4133lm	2521lm	
						30°	4133lm	2737lm	
						36°	4133lm	2642lm	
						45°	4133lm	2600lm	
KAS-CL13R-640T	40W	34V	1000mA	90	3000K	15°	4298lm	2889lm	ON-OFF TRIAC 1-10V DALI
						24°	4298lm	2622lm	
						30°	4298lm	2847lm	
						36°	4298lm	2748lm	
						45°	4298lm	2704lm	
KAS-CL13R-640T	40W	34V	1000mA	90	4000K	15°	4363lm	2932lm	ON-OFF TRIAC 1-10V DALI
						24°	4363lm	2661lm	
						30°	4363lm	2890lm	
						36°	4363lm	2789lm	
						45°	4363lm	2744lm	



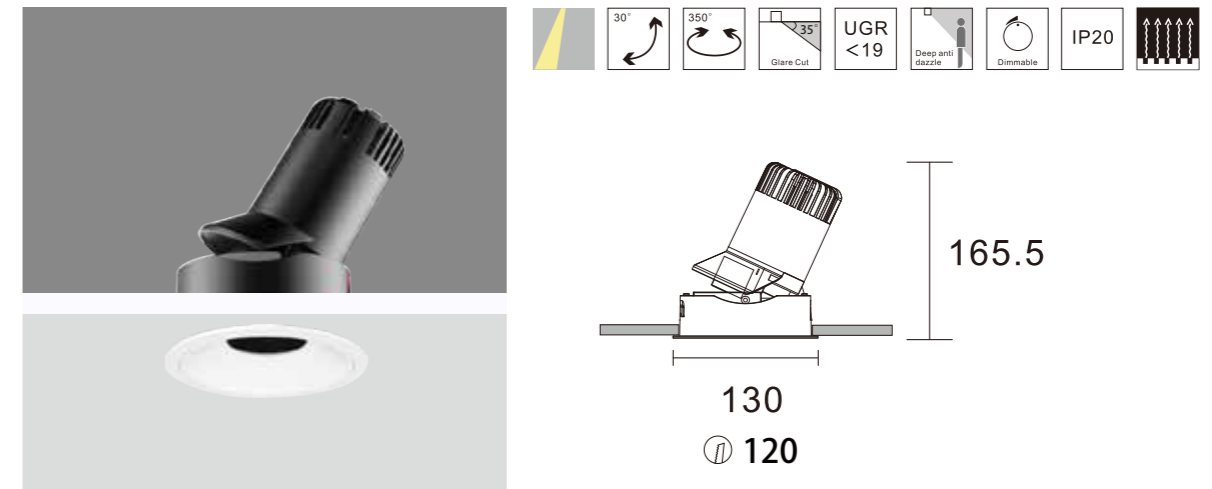
# KAS-CL13R-3T-R1R



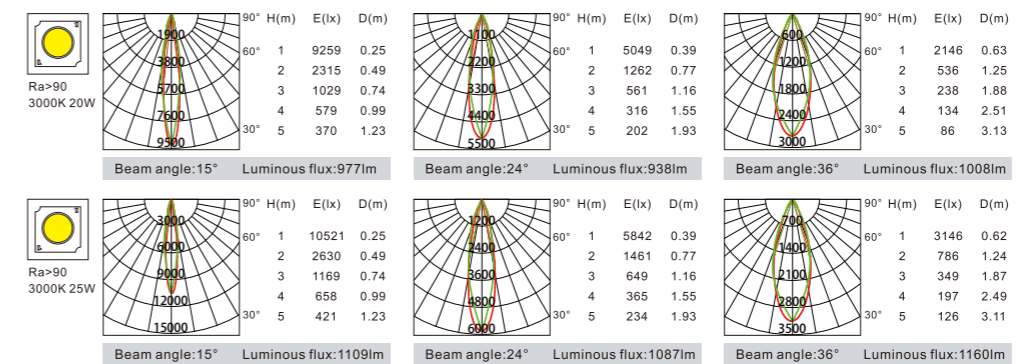
Model	Power	LED voltage	LED Current	CRI	CCT	Beam Angle	LED Output	System output	Dimming Type
KAS-CL13R-3515F-R1R	15W	34V	350mA	90	2700K	15°	1454lm	709lm	ON-OFF TRIAC
						24°	1454lm	740lm	1-10V
						36°	1454lm	721lm	DALI
KAS-CL13R-3515T-R1R	15W	34V	350mA	90	3000K	15°	1512lm	738lm	ON-OFF TRIAC
						24°	1512lm	770lm	1-10V
						36°	1512lm	750lm	DALI
	15W	34V	350mA	90	4000K	15°	1536lm	749lm	ON-OFF TRIAC
						24°	1536lm	782lm	1-10V
						36°	1536lm	761lm	DALI



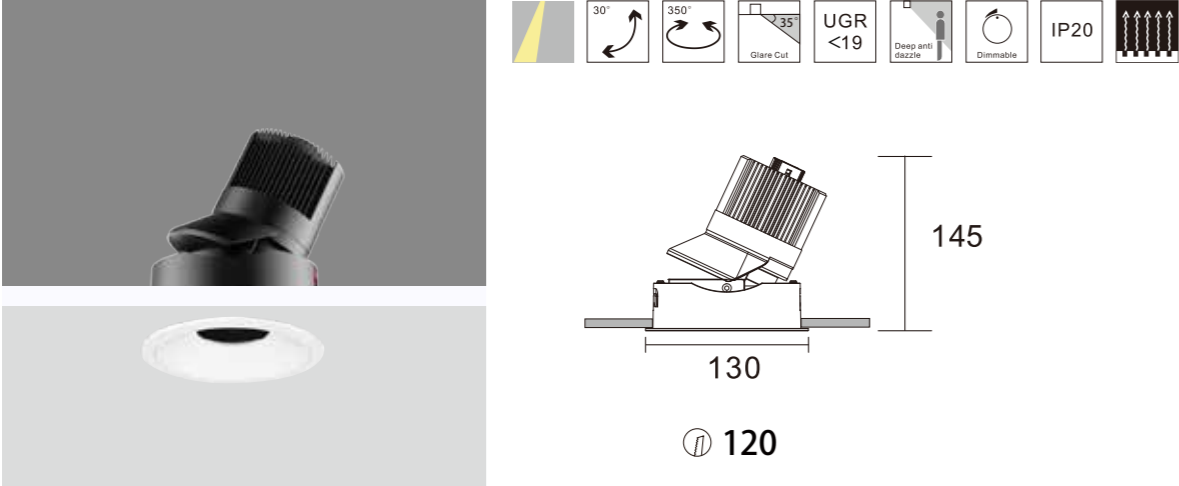
# KAS-CL13R-4F-R1R



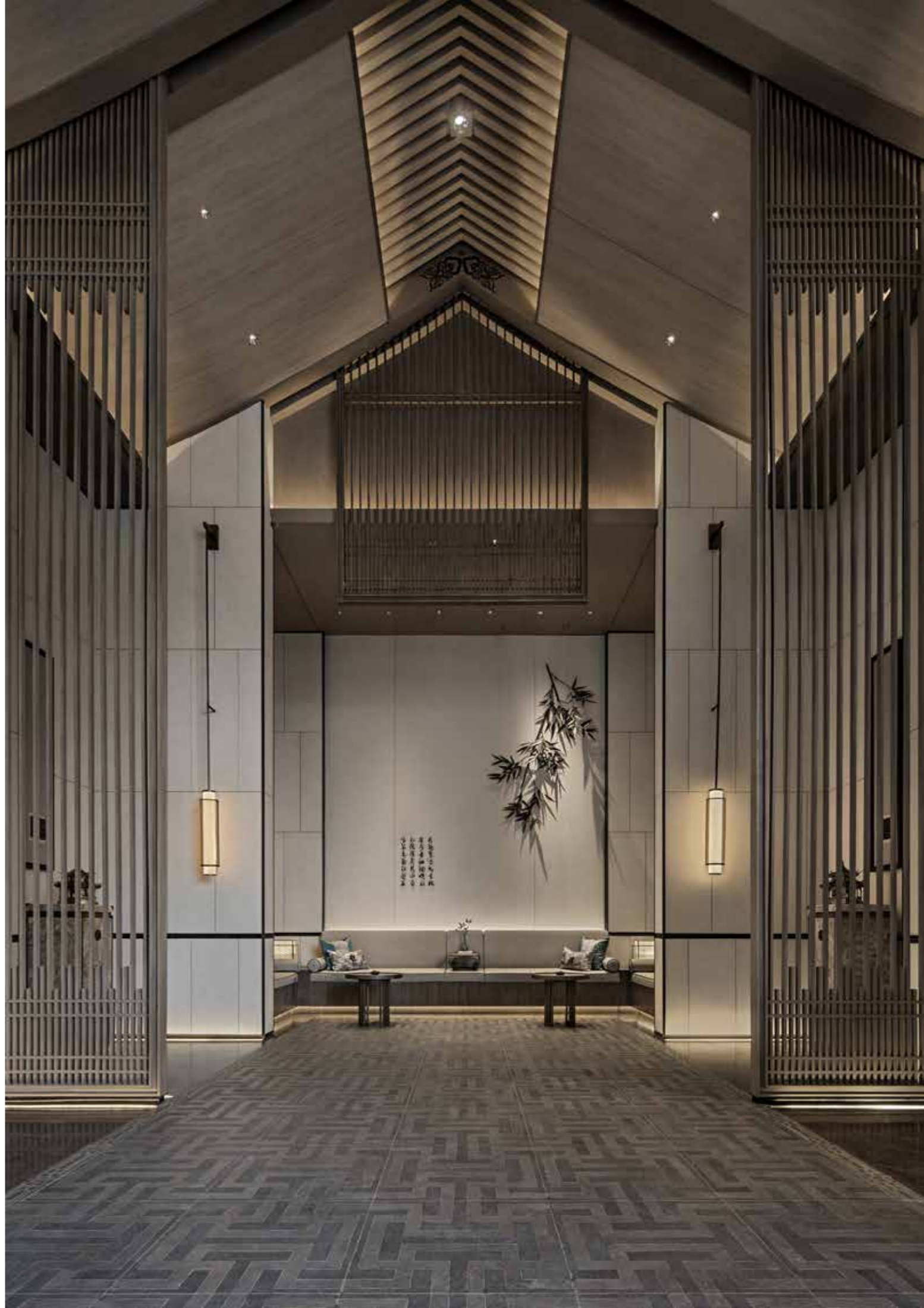
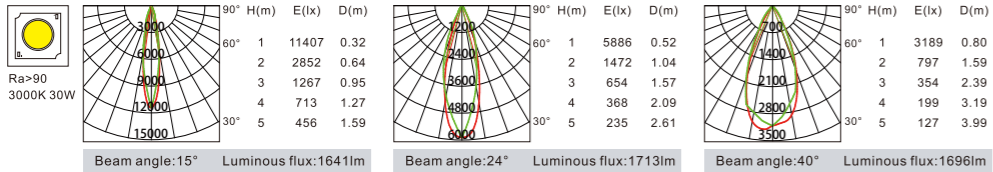
Model	Power	LED voltage	LED Current	CRI	CCT	Beam Angle	LED Output	System output	Dimming Type
KAS-CL13R-420F-R1R	20W	34V	500mA	90	2700K	15°	2130lm	940lm	ON-OFF TRIAC
						24°	2130lm	902lm	1-10V
						36°	2130lm	970lm	DALI
KAS-CL13R-420T-R1R	20W	34V	500mA	90	3000K	15°	2213lm	977lm	ON-OFF TRIAC
						24°	2213lm	938lm	1-10V
						36°	2213lm	1008lm	DALI
	20W	34V	500mA	90	4000K	15°	2247lm	992lm	ON-OFF TRIAC
						24°	2247lm	952lm	1-10V
						36°	2247lm	1023lm	DALI
KAS-CL13R-425F-R1R	25W	34V	600mA	90	2700K	15°	2556lm	1067lm	ON-OFF TRIAC
KAS-CL13R-425T-R1R	25W	34V	600mA	90	3000K	24°	2556lm	1046lm	1-10V
						36°	2556lm	1087lm	DALI
	25W	34V	600mA	90	4000K	15°	2656lm	1109lm	ON-OFF TRIAC
						24°	2656lm	1087lm	1-10V
						36°	2656lm	1160lm	DALI
	25W	34V	600mA	90	4000K	15°	2696lm	1125lm	ON-OFF TRIAC
						24°	2696lm	1103lm	1-10V
						36°	2696lm	1177lm	DALI



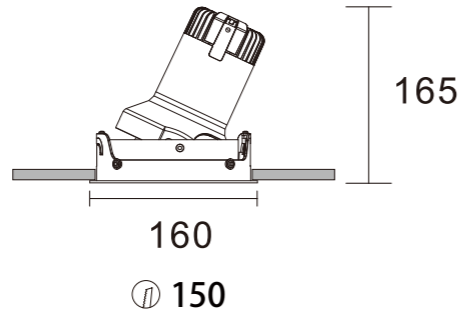
# KAS-CL13R-4T-R1R



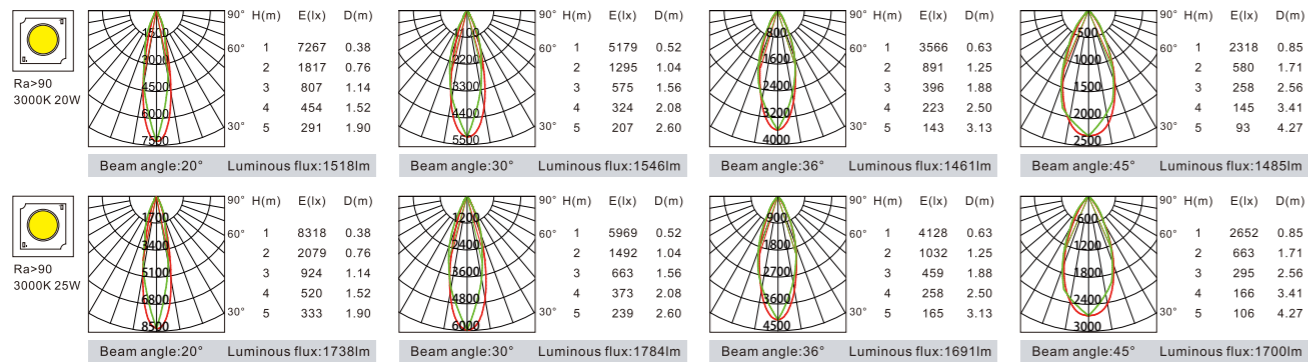
Model	Power	LED voltage	LED Current	CRI	CCT	Beam Angle	LED Output	System output	Dimming Type
KAS-CL13R-430T-R1R	30W	34V	700mA	90	2700K	15°	2982lm	1579lm	ON-OFF TRIAC
						24°	2982lm	1648lm	1-10V
						40°	2982lm	1626lm	DALI
KAS-CL13R-430T-R1R	30W	34V	700mA	90	3000K	15°	3098lm	1641lm	ON-OFF TRIAC
						24°	3098lm	1713lm	1-10V
						40°	3098lm	1696lm	DALI
KAS-CL13R-430T-R1R	30W	34V	700mA	90	4000K	15°	3146lm	1666lm	ON-OFF TRIAC
						24°	3146lm	1739lm	1-10V
						40°	3146lm	1722lm	DALI



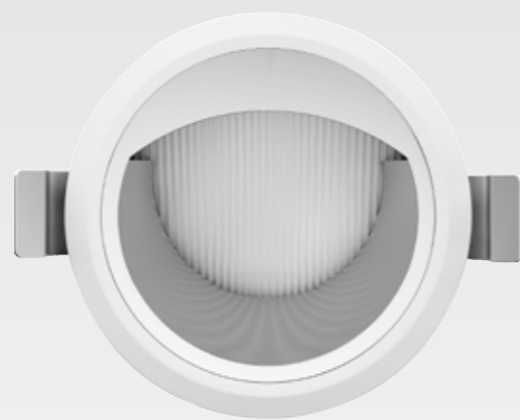
# KAS-CL13R-5T-R1R



Model	Power	LED voltage	LED Current	CRI	CCT	Beam Angle	LED Output	System output	Dimming Type
KAS-CL13R-520F	20W	34V	500mA	90	2700K	20°	2130lm	1461lm	ON-OFF
						30°	2130lm	1488lm	TRIAC
						36°	2130lm	1406lm	1-10V
						45°	2130lm	1429lm	DALI
KAS-CL13R-520T	20W	34V	500mA	90	3000K	20°	2213lm	1518lm	ON-OFF
						30°	2213lm	1546lm	TRIAC
						36°	2213lm	1461lm	1-10V
						45°	2213lm	1485lm	DALI
KAS-CL13R-525F	20W	34V	500mA	90	4000K	20°	2247lm	1541lm	ON-OFF
						30°	2247lm	1569lm	TRIAC
						36°	2247lm	1483lm	1-10V
						45°	2247lm	1507lm	DALI
KAS-CL13R-525T	25W	34V	600mA	90	2700K	20°	2556lm	1672lm	ON-OFF
						30°	2556lm	1716lm	TRIAC
						36°	2556lm	1627lm	1-10V
						45°	2556lm	1630lm	DALI
KAS-CL13R-525T	25W	34V	600mA	90	3000K	20°	2656lm	1738lm	ON-OFF
						30°	2656lm	1784lm	TRIAC
						36°	2656lm	1691lm	1-10V
						45°	2656lm	1700lm	DALI
KAS-CL13R-525T	25W	34V	600mA	90	4000K	20°	2696lm	1767lm	ON-OFF
						30°	2696lm	1810lm	TRIAC
						36°	2696lm	1716lm	1-10V
						45°	2696lm	1725lm	DALI



# CL39 Series

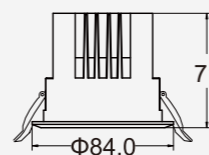


- Outstanding color rendition effect, meet the lighting demand of upscale places. 2700K/3000K/4000K, Ra>90
- Dark light technology with chip deeply hidden, well-designed dark light reflector with UGR<19. Comfortable and no glare.
- Die-casting aluminium heat sink, conducts the heat from the chip effectively, and ensure the lamp performance and long lifespan.
- Precise distribution and even transition. Less scattering makes vision more comfortable.



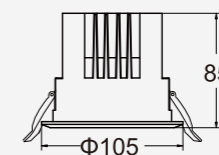
KS-CL39R-1V-315F-2

Power: 15W  
Cutout: 75mm  
Height: 71mm



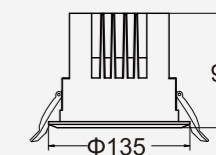
KS-CL39R-1V-420F-2

Power: 20W  
Cutout: 95mm  
Height: 85mm



KS-CL39R-1V-525F-2

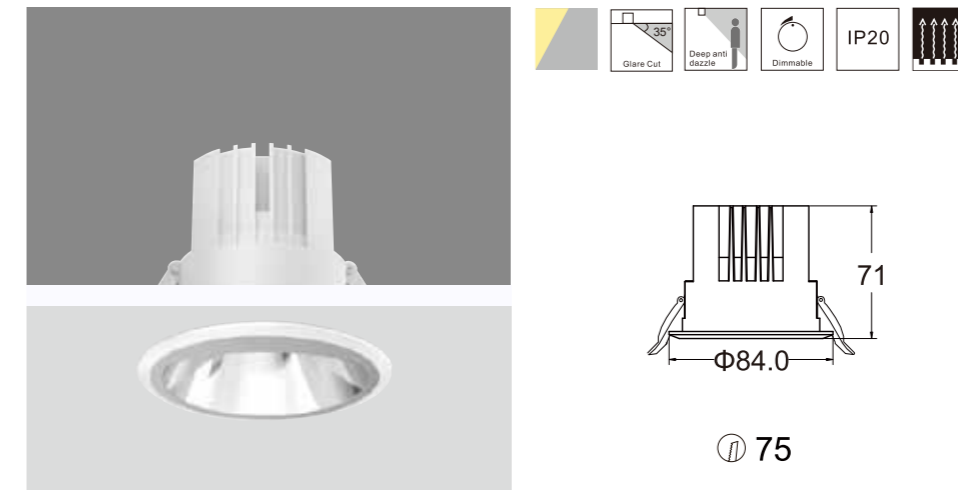
Power: 25W  
Cutout: 125mm  
Height: 98mm



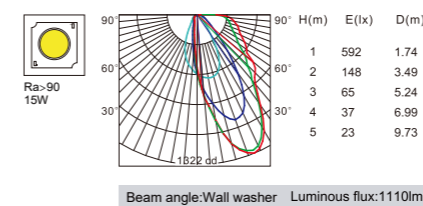
# KS-CL39R

Model	KS-CL39R-1V-315F-2	KS-CL39R-1V-420F-2	KS-CL39R-1V-525F-2
Product Photo			
Dimension(mm)			
Cutout(mm)	75	95	125
Wattage	15W	20W	25W
CCT	2700K 3000K 3500K 4000K	2700K 3000K 3500K 4000K	2700K 3000K 3500K 4000K
CRI	>90	>90	>90
Beam Angle	wall washer	wall washer	wall washer
Lumen	1068-1161LM	1487-1617LM	1979-2152LM
IP	IP20	IP20	IP20
Dimming	TRIAC/1-10V/DALI	TRIAC/1-10V/DALI	TRIAC/1-10V/DALI
Colour	White	White	White

# KS-CL39R-1V-3F

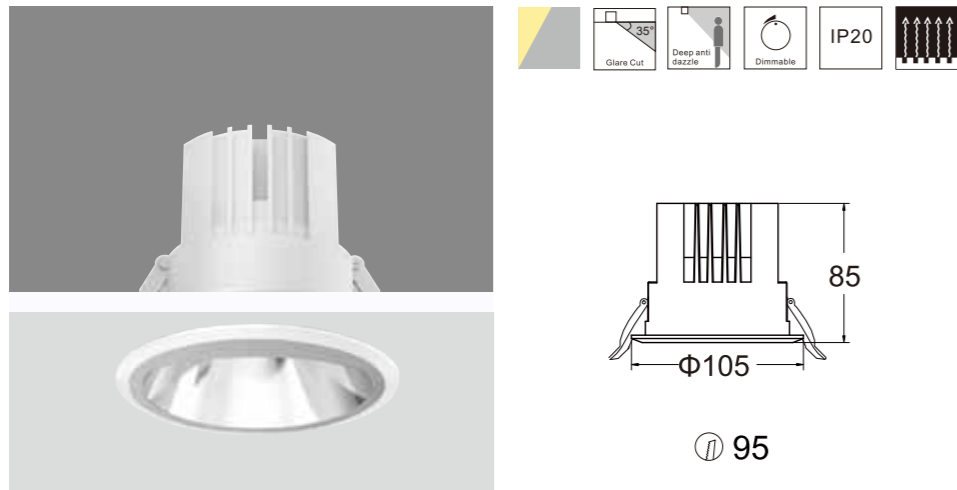


Model	Power	LED voltage	LED Current	CRI	CCT	Beam Angle	LED Output	System output	Dimming Type
KS-CL39R-1V315F-2	15W	36V	350mA	90	2700K	Wall Washer	1297lm	1068lm	ON-OFF TRIAC 1-10V DALI
	15W	36V	350mA	90	3000K	Wall Washer	1348lm	1110lm	ON-OFF TRIAC 1-10V DALI
	15W	36V	350mA	90	4000K	Wall Washer	1411lm	1161lm	ON-OFF TRIAC 1-10V DALI

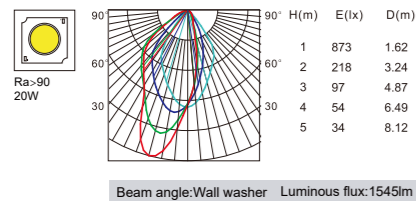




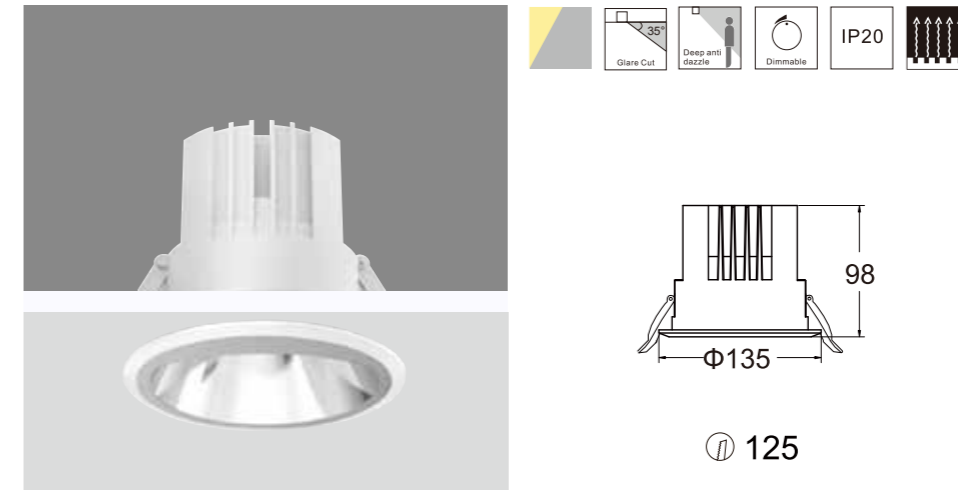
# KS-CL39R-1V-4F



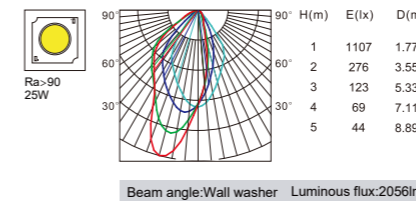
Model	Power	LED voltage	LED Current	CRI	CCT	Beam Angle	LED Output	System output	Dimming Type
KS-CL39R-1V420F-2	20W	36V	500mA	90	2700K	Wall Washer	1854lm	1487lm	ON-OFF TRIAC 1-10V DALI
	20W	36V	500mA	90	3000K	Wall Washer	1926lm	1545lm	ON-OFF TRIAC 1-10V DALI
	20W	36V	500mA	90	4000K	Wall Washer	2016lm	1617lm	ON-OFF TRIAC 1-10V DALI



# KS-CL39R-1V-5F



Model	Power	LED voltage	LED Current	CRI	CCT	Beam Angle	LED Output	System output	Dimming Type
KS-CL39R-1V525F-2	25W	36V	600mA	90	2700K	Wall Washer	2225lm	1979lm	ON-OFF TRIAC 1-10V DALI
	25W	36V	600mA	90	3000K	Wall Washer	2311lm	2056lm	ON-OFF TRIAC 1-10V DALI
	25W	36V	600mA	90	4000K	Wall Washer	2419lm	2152lm	ON-OFF TRIAC 1-10V DALI

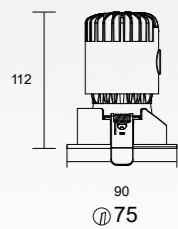


# CL15 Series



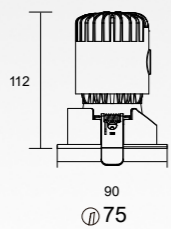
KAS-CL15R-S-35F

Power:10W15W  
Cutout:75mm  
Height:112mm



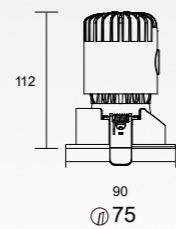
KAS-CL15R-E-35F

Power:10W15W  
Cutout:75mm  
Height:112mm



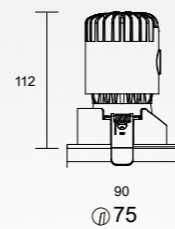
KAS-CL15R-Q-35F

Power:10W15W  
Cutout:75mm  
Height:112mm



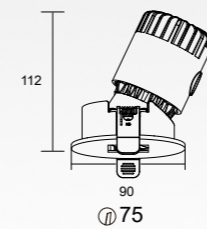
KAS-CL15R-O-35F

Power:10W15W  
Cutout:75mm  
Height:112mm



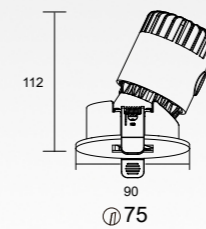
KAS-CL15R-S-35T

Power:10W15W  
Cutout:75mm  
Height:112mm



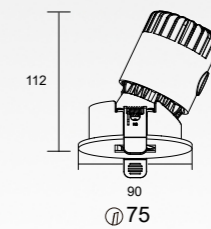
KAS-CL15R-E-35T

Power:10W15W  
Cutout:75mm  
Height:112mm



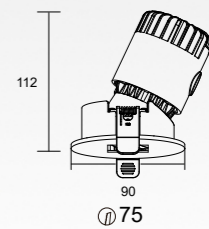
KAS-CL15R-Q-35T

Power:10W15W  
Cutout:75mm  
Height:112mm









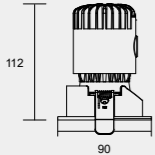
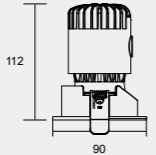
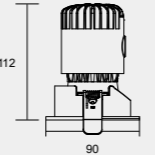
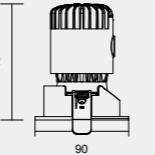
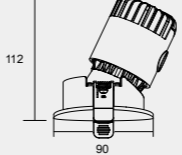
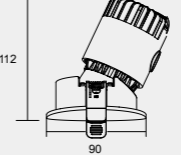
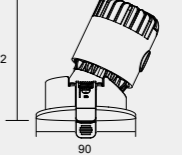
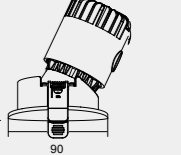


KAS-CL15R-O-35T

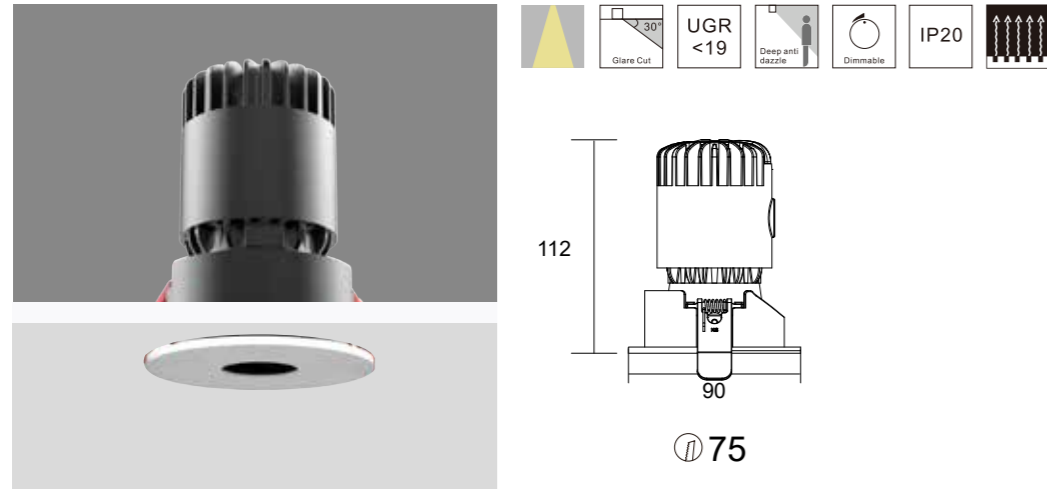
Power:10W15W  
Cutout:75mm  
Height:112mm



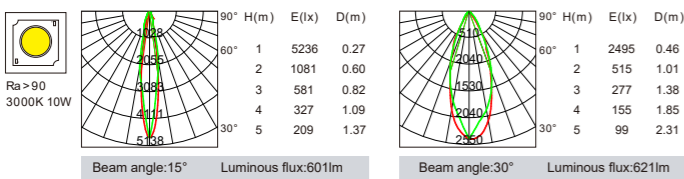
# CL15R Series

Model	KAS-CL15R-S-35F	KAS-CL15R-E-35F	KAS-CL15R-Q-35F	KAS-CL15R-O-35F		KAS-CL15R-S-35T	KAS-CL15R-E-35T	KAS-CL15R-Q-35T	KAS-CL15R-O-35T
Product Photo									
Dimension(mm)									
Cutout(mm)	75	75	75	75		75	75	75	75
Wattage	10W/15W	10W/15W	10W/15W	10W/15W		10W/15W	10W/15W	10W/15W	10W/15W
CCT	2700K 3000K 3500K 4000K	2700K 3000K 3500K 4000K	2700K 3000K 3500K 4000K	2700K 3000K 3500K 4000K		2700K 3000K 3500K 4000K	2700K 3000K 3500K 4000K	2700K 3000K 3500K 4000K	2700K 3000K 3500K 4000K
CRI	>90	>90	>90	>90		>90	>90	>90	>90
Beam Angle	10°/15°/24°/30°/36°	10°/15°/24°/30°/36°	10°/15°/24°/30°/36°	10°/15°/24°/30°/36°		10°/15°/24°/30°/36°	10°/15°/24°/30°/36°	10°/15°/24°/30°/36°	10°/15°/24°/30°/36°
Lumen	565-1104LM	497-874LM	572-1103LM	760-1103LM		565-1104LM	497-874LM	572-1103LM	760-1103LM
IP	IP20	IP20	IP20	IP20		IP20	IP20	IP20	IP20
Dimming	TRIAC/1-10V/DALI	TRIAC/1-10V/DALI	TRIAC/1-10V/DALI	TRIAC/1-10V/DALI		TRIAC/1-10V/DALI	TRIAC/1-10V/DALI	TRIAC/1-10V/DALI	TRIAC/1-10V/DALI
Colour	White+Iron gray	White+Iron gray	White+Iron gray	White+Iron gray		White+Iron gray	White+Iron gray	White+Iron gray	White+Iron gray

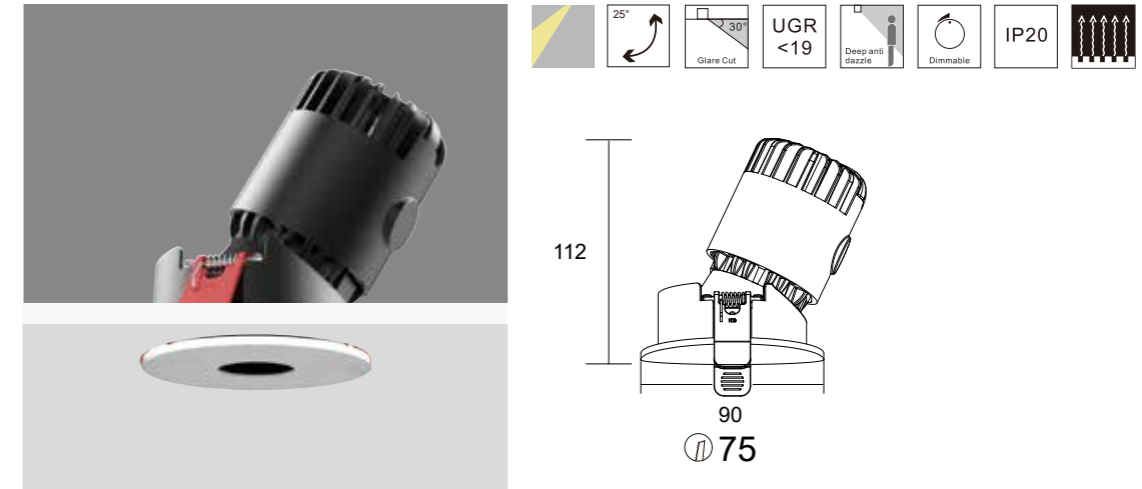
# KAS-CL15R-S-3F



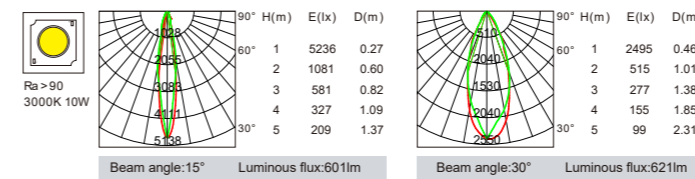
Model	Power	LED voltage	LED Current	CRI	CCT	Beam Angle	LED Output	System output	Dimming Type
KAS-CL15R-S-3510F 10W	10W	36V	250mA	90	2700K	10°	966lm	565lm	ON-OFF
						15°	966lm	572lm	TRIAC
						24°	966lm	585lm	1-10V
						30°	966lm	591lm	DALI
						36°	966lm	680lm	
						10°	1014lm	594lm	ON-OFF
	10W	36V	250mA	90	3000K	15°	1014lm	601lm	TRIAC
						24°	1014lm	615lm	1-10V
						30°	1014lm	621lm	DALI
						36°	1014lm	714lm	
						10°	1077lm	630lm	ON-OFF
						15°	1077lm	638lm	TRIAC
KAS-CL15R-S-3515F	15W	36V	350mA	90	2700K	24°	1314lm	783lm	TRIAC
						30°	1314lm	911lm	1-10V
						36°	1314lm	989lm	DALI
						15°	1383lm	740lm	ON-OFF
						24°	1383lm	825lm	TRIAC
						30°	1383lm	959lm	1-10V
	15W	36V	350mA	90	3000K	36°	1383lm	1041lm	DALI
						15°	1467lm	784lm	ON-OFF
						24°	1467lm	875lm	TRIAC
						30°	1467lm	1017lm	1-10V
						36°	1467lm	1104lm	DALI



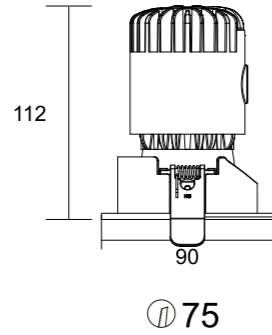
# KAS-CL15R-S-3T



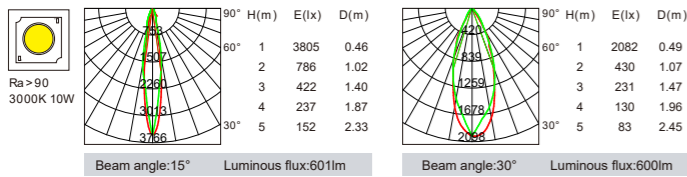
Model	Power	LED voltage	LED Current	CRI	CCT	Beam Angle	LED Output	System output	Dimming Type
KAS-CL15R-S-3510T 10W	10W	36V	250mA	90	2700K	10°	966lm	565lm	ON-OFF
						15°	966lm	572lm	TRIAC
						24°	966lm	585lm	1-10V
						30°	966lm	591lm	DALI
						36°	966lm	680lm	
						10°	1014lm	594lm	ON-OFF
	10W	36V	250mA	90	3000K	15°	1014lm	601lm	TRIAC
						24°	1014lm	615lm	1-10V
						30°	1014lm	621lm	DALI
						36°	1014lm	714lm	
						10°	1077lm	630lm	ON-OFF
						15°	1077lm	638lm	TRIAC
KAS-CL15R-S-3515T	15W	36V	350mA	90	2700K	24°	1314lm	783lm	TRIAC
						30°	1314lm	911lm	1-10V
						36°	1314lm	989lm	DALI
						15°	1383lm	740lm	ON-OFF
						24°	1383lm	825lm	TRIAC
						30°	1383lm	959lm	1-10V
	15W	36V	350mA	90	3000K	36°	1383lm	1041lm	DALI
						15°	1467lm	784lm	ON-OFF
						24°	1467lm	875lm	TRIAC
						30°	1467lm	1017lm	1-10V
						36°	1467lm	1104lm	DALI



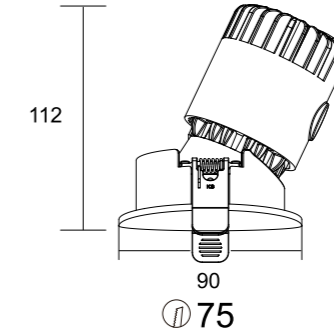
# KAS-CL15R-E-3F



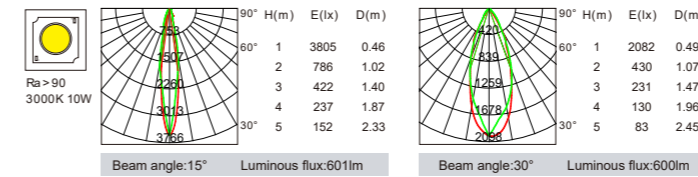
Model	Power	LED voltage	LED Current	CRI	CCT	Beam Angle	LED Output	System output	Dimming Type
KAS-CL15R-E-3510F 10W	10W	36V	250mA	90	2700K	10°	966lm	497lm	ON-OFF
						15°	966lm	503lm	TRIAC
						24°	966lm	517lm	1-10V
						30°	966lm	572lm	DALI
						36°	966lm	621lm	
						36°	966lm	621lm	
	10W	36V	250mA	90	3000K	10°	1014lm	522lm	ON-OFF
						15°	1014lm	529lm	TRIAC
						24°	1014lm	543lm	1-10V
						30°	1014lm	601lm	DALI
						36°	1014lm	652lm	
						36°	1014lm	652lm	
KAS-CL15R-E-3515F	15W	36V	350mA	90	2700K	15°	1314lm	665lm	ON-OFF
						24°	1314lm	698lm	TRIAC
						30°	1314lm	757lm	1-10V
						36°	1314lm	782lm	DALI
						36°	1314lm	782lm	
						36°	1314lm	782lm	
	15W	36V	350mA	90	3000K	15°	1383lm	700lm	ON-OFF
						24°	1383lm	735lm	TRIAC
						30°	1383lm	797lm	1-10V
						36°	1383lm	824lm	DALI
						36°	1383lm	824lm	
						36°	1383lm	824lm	
15W	36V	350mA	90	4000K	15°	1467lm	742lm	ON-OFF	
					24°	1467lm	779lm	TRIAC	
					30°	1467lm	845lm	1-10V	
					36°	1467lm	874lm	DALI	
					36°	1467lm	874lm		
					36°	1467lm	874lm		



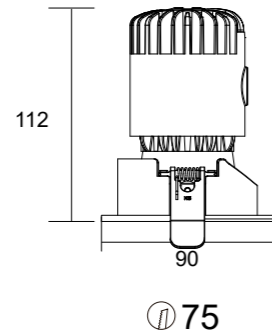
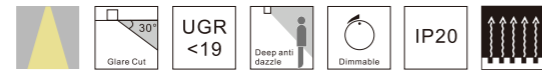
# KAS-CL15R-E-3T



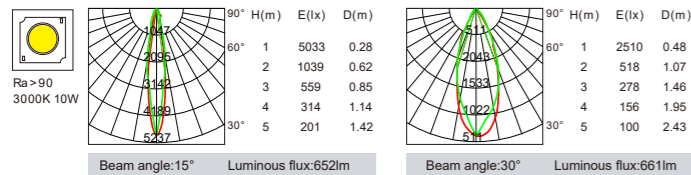
Model	Power	LED voltage	LED Current	CRI	CCT	Beam Angle	LED Output	System output	Dimming Type
KAS-CL15R-E-3510T 10W	10W	36V	250mA	90	2700K	10°	966lm	497lm	ON-OFF
						15°	966lm	503lm	TRIAC
						24°	966lm	517lm	1-10V
						30°	966lm	572lm	DALI
						36°	966lm	621lm	
						36°	966lm	621lm	
	10W	36V	250mA	90	3000K	10°	1014lm	522lm	ON-OFF
						15°	1014lm	529lm	TRIAC
						24°	1014lm	543lm	1-10V
						30°	1014lm	601lm	DALI
						36°	1014lm	652lm	
						36°	1014lm	652lm	
KAS-CL15R-E-3515T	15W	36V	350mA	90	2700K	15°	1314lm	665lm	ON-OFF
						24°	1314lm	698lm	TRIAC
						30°	1314lm	757lm	1-10V
						36°	1314lm	782lm	DALI
						36°	1314lm	782lm	
						36°	1314lm	782lm	
	15W	36V	350mA	90	3000K	15°	1383lm	700lm	ON-OFF
						24°	1383lm	735lm	TRIAC
						30°	1383lm	797lm	1-10V
						36°	1383lm	824lm	DALI
						36°	1383lm	824lm	
						36°	1383lm	824lm	
15W	36V	350mA	90	4000K	15°	1467lm	742lm	ON-OFF	
					24°	1467lm	779lm	TRIAC	
					30°	1467lm	845lm	1-10V	
					36°	1467lm	874lm	DALI	
					36°	1467lm	874lm		
					36°	1467lm	874lm		



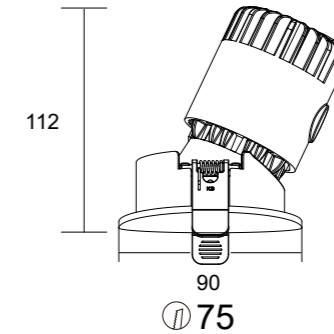
# KAS-CL15R-Q-3F



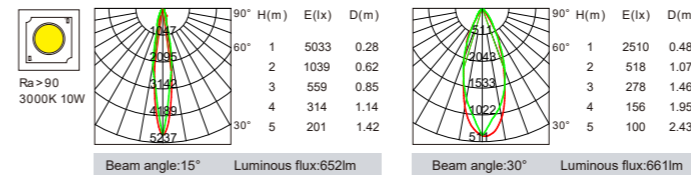
Model	Power	LED voltage	LED Current	CRI	CCT	Beam Angle	LED Output	System output	Dimming Type					
KAS-CL15R-Q-3510F	10W	36V	250mA	90	2700K	10°	966lm	572lm	ON-OFF					
						15°	966lm	621lm	TRIAC					
						24°	966lm	617lm	1-10V					
						30°	966lm	629lm	DALI					
						36°	966lm	674lm						
						10°	1014lm	604lm	ON-OFF					
	10W	36V	250mA	90	3000K	15°	1014lm	652lm	TRIAC					
						24°	1014lm	648lm	1-10V					
						30°	1014lm	661lm	DALI					
						36°	1014lm	708lm						
						10W	36V	250mA	90	4000K	10°	1077lm	641lm	ON-OFF
											15°	1077lm	692lm	TRIAC
24°	1077lm	688lm	1-10V											
30°	1077lm	702lm	DALI											
36°	1077lm	751lm												
15°	1314lm	824lm	ON-OFF											
KAS-CL15R-Q-3515F	15W	36V	350mA	90	2700K	24°	1314lm	847lm	TRIAC					
						30°	1314lm	903lm	1-10V					
						36°	1314lm	988lm	DALI					
						15°	1383lm	868lm	ON-OFF					
						15W	36V	350mA	90	3000K	24°	1383lm	892lm	TRIAC
											30°	1383lm	951lm	1-10V
	36°	1383lm	1040lm	DALI										
	15°	1467lm	920lm	ON-OFF										
	15W	36V	350mA	90	4000K						24°	1467lm	946lm	TRIAC
											30°	1467lm	1088lm	1-10V
						36°	1467lm	1103lm	DALI					



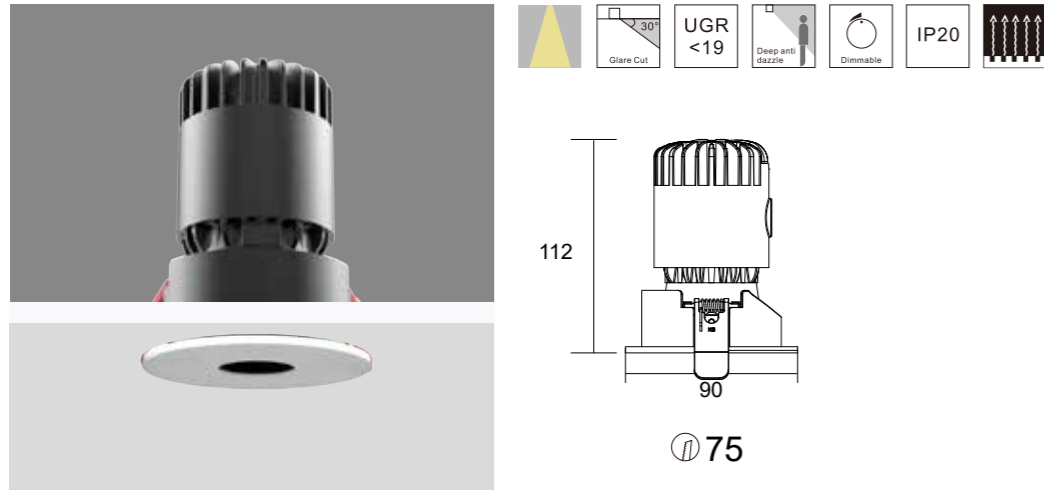
# KAS-CL15R-Q-3T



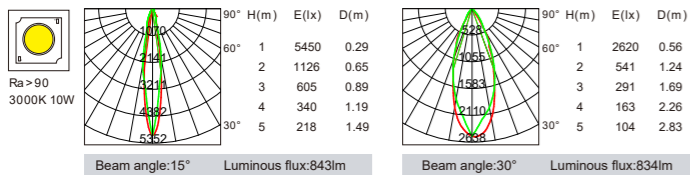
Model	Power	LED voltage	LED Current	CRI	CCT	Beam Angle	LED Output	System output	Dimming Type					
KAS-CL15R-Q-3510T	10W	36V	250mA	90	2700K	10°	966lm	572lm	ON-OFF					
						15°	966lm	621lm	TRIAC					
						24°	966lm	617lm	1-10V					
						30°	966lm	629lm	DALI					
						36°	966lm	674lm						
						10°	1014lm	604lm	ON-OFF					
	10W	36V	250mA	90	3000K	15°	1014lm	652lm	TRIAC					
						24°	1014lm	648lm	1-10V					
						30°	1014lm	661lm	DALI					
						36°	1014lm	708lm						
						10W	36V	250mA	90	4000K	10°	1077lm	641lm	ON-OFF
											15°	1077lm	692lm	TRIAC
24°	1077lm	688lm	1-10V											
30°	1077lm	702lm	DALI											
36°	1077lm	751lm												
15°	1314lm	824lm	ON-OFF											
KAS-CL15R-Q-3515T	15W	36V	350mA	90	2700K	24°	1314lm	847lm	TRIAC					
						30°	1314lm	903lm	1-10V					
						36°	1314lm	988lm	DALI					
						15°	1383lm	868lm	ON-OFF					
						15W	36V	350mA	90	3000K	24°	1383lm	892lm	TRIAC
											30°	1383lm	951lm	1-10V
	36°	1383lm	1040lm	DALI										
	15°	1467lm	920lm	ON-OFF										
	15W	36V	350mA	90	4000K						24°	1467lm	946lm	TRIAC
											30°	1467lm	1088lm	1-10V
						36°	1467lm	1103lm						



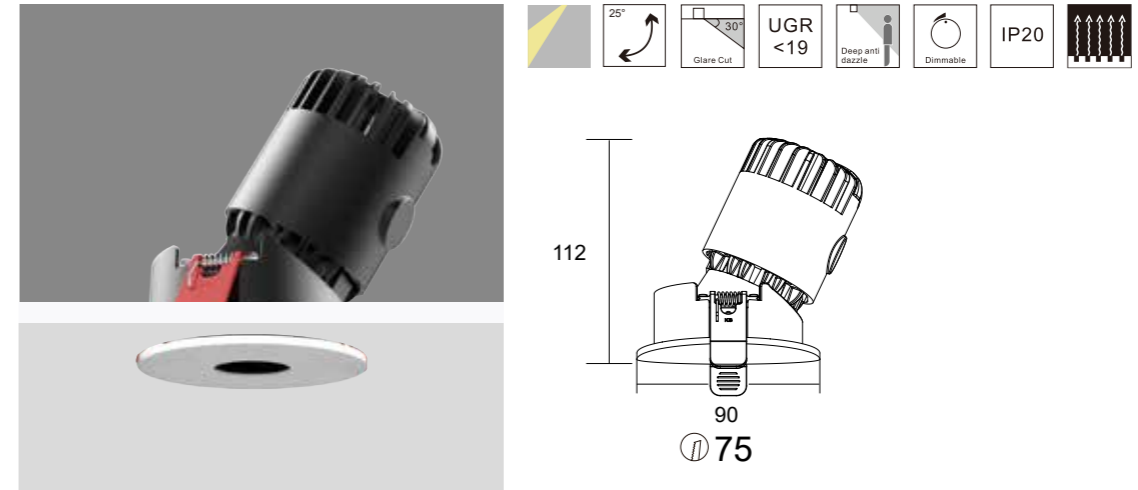
# KAS-CL15R-O-3F



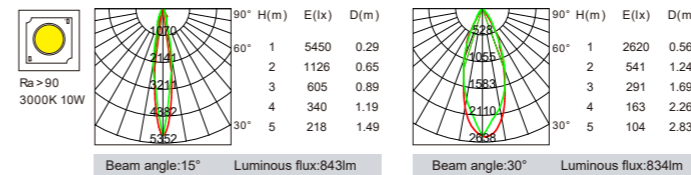
Model	Power	LED voltage	LED Current	CRI	CCT	Beam Angle	LED Output	System output	Dimming Type
KAS-CL15R-O-3510F	10W	36V	250mA	90	2700K	10°	966lm	760lm	ON-OFF
						15°	966lm	803lm	TRIAC
						24°	966lm	782lm	1-10V
						30°	966lm	794lm	DALI
						36°	966lm	775lm	
						10°	1014lm	798lm	ON-OFF
	10W	36V	250mA	90	3000K	15°	1014lm	843lm	TRIAC
						24°	1014lm	821lm	1-10V
						30°	1014lm	834lm	DALI
						36°	1014lm	814lm	
						10°	1077lm	847lm	ON-OFF
						15°	1077lm	895lm	TRIAC
KAS-CL15R-Q-3515F	15W	36V	350mA	90	2700K	15°	1314lm	1054lm	ON-OFF
						24°	1314lm	1005lm	TRIAC
						30°	1314lm	1147lm	1-10V
						36°	1314lm	988lm	DALI
						15°	1383lm	1110lm	ON-OFF
						24°	1383lm	1058lm	TRIAC
	15W	36V	350mA	90	3000K	30°	1383lm	1208lm	1-10V
						36°	1383lm	1040lm	DALI
						15°	1467lm	1177lm	ON-OFF
						24°	1467lm	1122lm	TRIAC
						30°	1467lm	1281lm	1-10V
						36°	1467lm	1103lm	DALI



# KAS-CL15R-O-3T



Model	Power	LED voltage	LED Current	CRI	CCT	Beam Angle	LED Output	System output	Dimming Type
KAS-CL15R-O-3510T	10W	36V	250mA	90	2700K	10°	966lm	760lm	ON-OFF
						15°	966lm	803lm	TRIAC
						24°	966lm	782lm	1-10V
						30°	966lm	794lm	DALI
						36°	966lm	775lm	
						10°	1014lm	798lm	ON-OFF
	10W	36V	250mA	90	3000K	15°	1014lm	843lm	TRIAC
						24°	1014lm	821lm	1-10V
						30°	1014lm	834lm	DALI
						36°	1014lm	814lm	
						10°	1077lm	847lm	ON-OFF
						15°	1077lm	895lm	TRIAC
KAS-CL15R-Q-3515T	15W	36V	350mA	90	2700K	15°	1314lm	1054lm	ON-OFF
						24°	1314lm	1005lm	TRIAC
						30°	1314lm	1147lm	1-10V
						36°	1314lm	988lm	DALI
						15°	1383lm	1110lm	ON-OFF
						24°	1383lm	1058lm	TRIAC
	15W	36V	350mA	90	3000K	30°	1383lm	1208lm	1-10V
						36°	1383lm	1040lm	DALI
						15°	1467lm	1177lm	ON-OFF
						24°	1467lm	1122lm	TRIAC
						30°	1467lm	1281lm	1-10V
						36°	1467lm	1103lm	DALI



# Contact details

## **IINNO Ltd**

2101A Nan Fung Centre,  
264-298 Castle Peak Road,  
Tsuen Wan, Hong Kong

Tel: +852 2134 9906

+86 (0)769 23010151/2

M: +86 13922905402

Email: [sales@iinno-lighting.com](mailto:sales@iinno-lighting.com)

[www.iinno-lighting.com](http://www.iinno-lighting.com)





