

# CL36 series

Designing your lighting solutions



Suitable for height of 3-10m

3W/5W/8W  
≤3m

10W/12W  
≤5m

20W/25W  
≤6m

30W  
≤8m

# CL36 Series

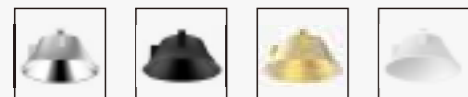


- Dark light technology with chip deeply hidden, well-designed dark light reflector with  $UGR \leq 19$ . Comfortable and no glare.
- Tens of reflectors in option, to satisfy designers requirements to different area and style.
- Precise distribution and even transition. Less scattering makes vision more comfortable.
- series use a composable, alternative, modular, simple and elegant lamp body.

# CL36 Series

Model	K-CL36-2F-R2D	K-CL36-2F-R2D	K-CL36-3F-R1D	K-CL36-3F-R1D		K-CL36-3F-R1D	K-CL36-3F-R2D	K-CL36-4F-R1D	K-CL36-4F-R1D
Product Photo									
Dimension(mm)									
Cutout(mm)	50	50	75	75		75	75	100	100
Wattage	3W/5W	8W	5W/8W	10W/12W		15W	15W	20W	25W/30W
CCT	2700K 3000K 3500K 4000K	2700K 3000K 3500K 4000K	2700K 3000K 3500K 4000K	2700K 3000K 3500K 4000K		2700K 3000K 3500K 4000K	2700K 3000K 3500K 4000K	2700K 3000K 3500K 4000K	2700K 3000K 3500K 4000K
CRI	>90	>90	>90	>90		>90	>90	>90	>90
Beam Angle	15°/18°/24°/36°	15°/18°/24°/36°	11°/15°/18°/24°/36°/50°	11°/15°/18°/24°/36°/50°		15°/24°/36°/50°	15°/24°/36°/50°	18°/24°/36°/50°	18°/24°/36°/50°
Lumen	150-200LM	300LM	360-460LM	530-690LM		697-939LM	697-939LM	1600-1800LM	2000LM
IP	IP 20	IP 20	IP20/IP54	IP20/IP54		IP54	IP54	IP20/IP65	IP20/IP65
Dimming			TRIAC/1-10V/DALI	TRIAC/1-10V/DALI		TRIAC/1-10V/DALI	TRIAC/1-10V/DALI	TRIAC/1-10V/DALI	TRIAC/1-10V/DALI
Accessory	Honeycomb Filter	Honeycomb Filter	Honeycomb Filter Stripped Glass Cross-grille Red Filter Green Filter Blue Filter	Honeycomb Filter Stripped Glass Cross-grille Red Filter Green Filter Blue Filter		Honeycomb Filter Stripped Glass Cross-grille Red Filter Green Filter Blue Filter	Honeycomb Filter Stripped Glass Cross-grille Red Filter Green Filter Blue Filter	Honeycomb Filter	Honeycomb Filter
Reflector Colour	UV processed black cup Highly specular aluminium White Gold	UV processed black cup Highly specular aluminium White Gold	UV processed black cup Highly specular aluminium White Gold	UV processed black cup Highly specular aluminium White Gold		UV processed black cup Highly specular aluminium White Gold	UV processed black cup Highly specular aluminium White Gold	UV processed black cup Highly specular aluminium White Gold	UV processed black cup Highly specular aluminium White Gold
Colour	White+Iron gray	White+Iron gray	White+Iron gray	White+Iron gray		White+Iron gray	White+Iron gray	White+Iron gray	White+Iron gray

## Reflecting Accessories









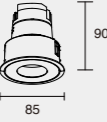
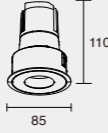
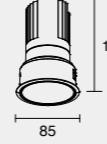
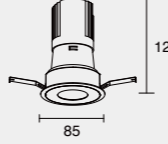
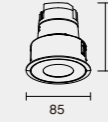
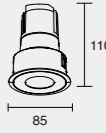
Highly specular aluminium   UV processed black cup   Gold   White

## Optical Accessories



Honeycomb Filter   Cross-grille   Stripped Glass   Red Filter   Green Filter   Blue Filter

# CL36 Series

Model	K-CL36-3F-R1R	K-CL36-3F-R1R	K-CL36-3F-R1R		K-CL36-3F-R2R	K-CL36-3F-R1P	K-CL36-3F-R1P
Product Photo							
Dimension(mm)							
Cutout(mm)	75	75	75		75	75	75
Wattage	5W/8W	10W/12W	15W		15W	5W/8W	10W/12W
CCT	2700K 3000K 4000K	2700K 3000K 4000K	2700K 3000K 4000K		2700K 3000K 4000K	2700K 3000K 4000K	2700K 3000K 4000K
CRI	>90	>90	>90		>90	>90	>90
Beam Angle	11°/15°/18°/24°/36°/50°	11°/15°/18°/24°/36°/50°	15°/24°/36°/50°		15°/24°/36°/50°	11°/15°/18°/24°/36°/50°	11°/15°/18°/24°/36°/50°
Lumen	300-400LM	450-560LM	519-595LM		519-595LM	260-350LM	390-480LM
IP	IP20/IP54	IP20/IP54	IP54		IP54	IP20/IP54	IP20/IP54
Dimming	TRIAC/1-10V/DALI	TRIAC/1-10V/DALI	TRIAC/1-10V/DALI		TRIAC/1-10V/DALI	TRIAC/1-10V/DALI	TRIAC/1-10V/DALI
Accessory	Honeycomb Filter Stripped Glass Cross-grille Red Filter Green Filter Blue Filter	Honeycomb Filter Stripped Glass Cross-grille Red Filter Green Filter Blue Filter	Honeycomb Filter Stripped Glass Cross-grille Red Filter Green Filter Blue Filter		Honeycomb Filter Stripped Glass Cross-grille Red Filter Green Filter Blue Filter		
Reflector Colour							
Colour	White+Iron gray	White+Iron gray	White+Iron gray		White+Iron gray	White+Iron gray	White+Iron gray

## Reflecting Accessories



Highly specular aluminium  
UV processed black cup  
Gold  
White

## Optical Accessories



Honeycomb Filter  
Cross-grille  
Stripped Glass  
Red Filter  
Green Filter  
Blue Filter

# CL36 Series

Model	K-CL36-2T-R2D	K-CL36-2T-R2D	K-CL36-55T-R2D	K-CL36-55T-R2D	K-CL36-3T-R1D		K-CL36-3T-R1D	K-CL36-3T-R1D	K-CL36-3T-R2D	K-CL36-4T-R1D	K-CL36-4T-R1D
Product Photo											
Dimension(mm)											
Cutout(mm)	50	50	55	55	75		75	75	75	100	100
Wattage	3W/5W	8W	5W/8W	10W/12W	5W/8W		10W/12W	15W	15W	20W	25W/30W
CCT	2700K 3000K 3500K 4000K	2700K 3000K 3500K 4000K	2700K 3000K 3500K 4000K	2700K 3000K 3500K 4000K	2700K 3000K 4000K		2700K 3000K 4000K	2700K 3000K 3500K 4000K	2700K 3000K 3500K 4000K	2700K 3000K 3500K 4000K	2700K 3000K 3500K 4000K
CRI	>90	>90	>90	>90	>90		>90	>90	>90	>90	>90
Beam Angle	15°/18°/24°/36°	15°/18°/24°/36°	15°/18°/24°/36°	15°/18°/24°/36°	11°/15°/18°/24°/36°/50°		11°/15°/18°/24°/36°/50°	15°/24°/36°/50°	15°/24°/36°/50°	18°/24°/36°/50°	18°/24°/36°/50°
Lumen	150-200LM	300LM	300LM	300LM	360-460LM		530-690LM	697-939LM	697-939LM	1600-1800LM	2000LM
IP	IP 20	IP 20	IP 20	IP 20	IP20/IP54		IP20/IP54	IP 54	IP 54	IP20/IP65	IP20/IP65
Dimming					TRIAC/1-10V/DALI		TRIAC/1-10V/DALI	TRIAC/1-10V/DALI	TRIAC/1-10V/DALI	TRIAC/1-10V/DALI	TRIAC/1-10V/DALI
Accessory	Honeycomb Filter	Honeycomb Filter	Honeycomb Filter	Honeycomb Filter	Honeycomb Filter Stripped Glass Cross-grille Red Filter Green Filter Blue Filter		Honeycomb Filter Stripped Glass Cross-grille Red Filter Green Filter Blue Filter	Honeycomb Filter Stripped Glass Cross-grille Red Filter Green Filter Blue Filter	Honeycomb Filter Stripped Glass Cross-grille Red Filter Green Filter Blue Filter	Honeycomb Filter	Honeycomb Filter
Reflector Colour	UV processed black cup Highly specular aluminium White Gold	UV processed black cup Highly specular aluminium White Gold	UV processed black cup Highly specular aluminium White Gold	UV processed black cup Highly specular aluminium White Gold	UV processed black cup Highly specular aluminium White Gold		UV processed black cup Highly specular aluminium White Gold	UV processed black cup Highly specular aluminium White Gold	UV processed black cup Highly specular aluminium White Gold	UV processed black cup Highly specular aluminium White Gold	UV processed black cup Highly specular aluminium White Gold
Colour	White+Iron gray	White+Iron gray	White+Iron gray	White+Iron gray	White+Iron gray		White+Iron gray	White+Iron gray	White+Iron gray	White+Iron gray	White+Iron gray

## Reflecting Accessories



Highly specular aluminium  
UV processed black cup  
Gold  
White

## Optical Accessories



Honeycomb Filter  
Cross-grille  
Stripped Glass  
Red Filter  
Green Filter  
Blue Filter

# CL36 Series

Model	K-CL36-3T-R1R	K-CL36-3T-R2R	K-CL36-3T-R1E	K-CL36-3T-R1E		K-CL36-3T-R1E	K-CL36-3T-R2E	K-CL36-45T-R1D	K-CL36-5T-R1D
Product Photo									
Dimension(mm)									
Cutout(mm)	75	75	75	75		75	75	120	150
Wattage	15W	15W	5W/8W	10W/12W		15W	20W/25W	20W/25W/30W	20W/25W/30W
CCT	2700K 3000K 3500K 4000K	2700K 3000K 3500K 4000K	2700K 3000K 4000K	2700K 3000K 4000K		2700K 3000K 3500K 4000K	2700K 3000K 3500K 4000K	2700K 3000K 3500K 4000K	2700K 3000K 3500K 4000K
CRI	>90	>90	>90	>90		>90	>90	>90	>90
Beam Angle	15°/24°/36°/50°	15°/24°/36°/50°	11°/15°/18°/24°/36°/50°	11°/15°/18°/24°/36°/50°		15°/24°/36°/50°	18°/24°/36°/45°	18°/24°/36°/45°	18°/24°/36°/45°
Lumen	519-595LM	519-595LM	300-400LM	450-560LM		660-961LM	660-961LM	1244-1776LM	1244-1776LM
IP	IP 54	IP 54	IP20/IP54	IP20/IP54		IP 54	IP 54	IP20/IP65	IP20/IP65
Dimming	TRIAC/1-10V/DALI	TRIAC/1-10V/DALI	TRIAC/1-10V/DALI	TRIAC/1-10V/DALI		TRIAC/1-10V/DALI	TRIAC/1-10V/DALI	TRIAC/1-10V/DALI	TRIAC/1-10V/DALI
Accessory									
Reflector Colour								UV processed black cup Highly specular aluminium	UV processed black cup Highly specular aluminium
Colour	White+Iron gray	White+Iron gray	White+Iron gray	White+Iron gray		White+Iron gray	White+Iron gray	White+Iron gray	White+Iron gray

## Reflecting Accessories



Highly specular aluminium  
UV processed black cup

Gold

White

## Optical Accessories



Honeycomb Filter

Cross-grille

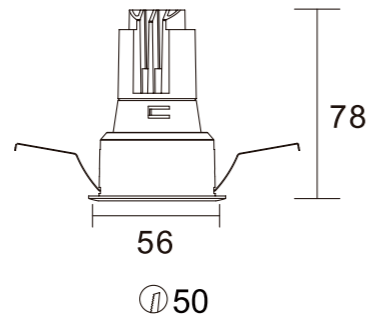
Stripped Glass

Red Filter

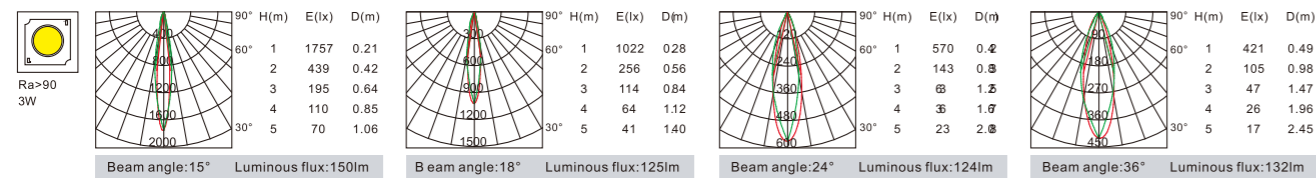
Green Filter

Blue Filter

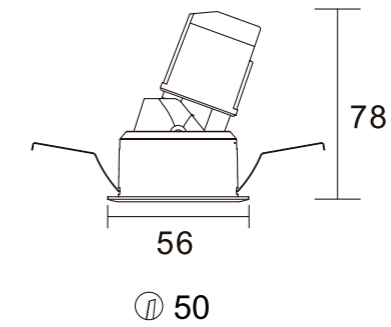
# K-CL36-2F-R2D



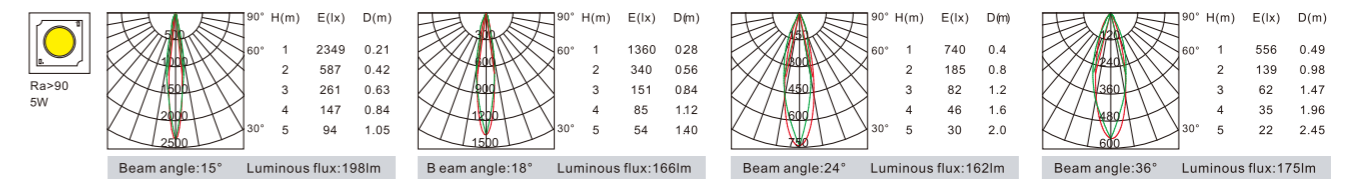
Model	Power	LED voltage	LED Current	CRI	CCT	Beam Angle	LED Output	System output	Dimming Type
K-CL36-203F-R2D	3W	3V	700mA	90	2700K	15°	198lm	139lm	ON-OFF
						18°	198lm	116lm	TRIAC
						24°	198lm	115lm	1-10V
						36°	198lm	122lm	DALI
K-CL36-203T-R2D	3W	3V	700mA	90	3000K	15°	213lm	150lm	ON-OFF
						18°	213lm	125lm	TRIAC
						24°	213lm	124lm	1-10V
						36°	213lm	132lm	DALI
K-CL36-203F-R2D	3W	3V	700mA	90	4000K	15°	231lm	162lm	ON-OFF
						18°	231lm	135lm	TRIAC
						24°	231lm	134lm	1-10V
						36°	231lm	143lm	DALI



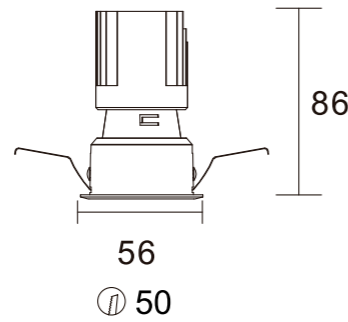
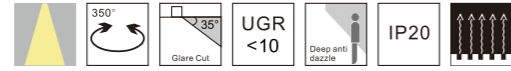
# K-CL36-2F-R2D



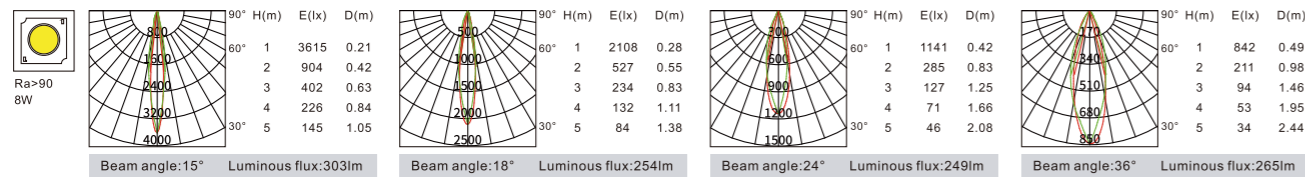
Model	Power	LED voltage	LED Current	CRI	CCT	Beam Angle	LED Output	System output	Dimming Type
K-CL36-205F-R2D	5W	3V	1000mA	90	2700K	15°	445lm	190lm	ON-OFF
						18°	445lm	156lm	TRIAC
						24°	445lm	159lm	1-10V
						36°	445lm	167lm	DALI
K-CL36-205T-R2D	5W	3V	1000mA	90	3000K	15°	462lm	198lm	ON-OFF
						18°	462lm	162lm	TRIAC
						24°	462lm	166lm	1-10V
						36°	462lm	174lm	DALI
K-CL36-205F-R2D	5W	3V	1000mA	90	4000K	15°	484lm	207lm	ON-OFF
						18°	484lm	169lm	TRIAC
						24°	484lm	173lm	1-10V
						36°	484lm	182lm	DALI



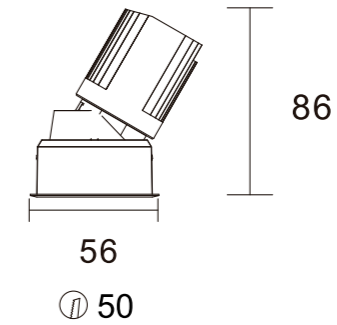
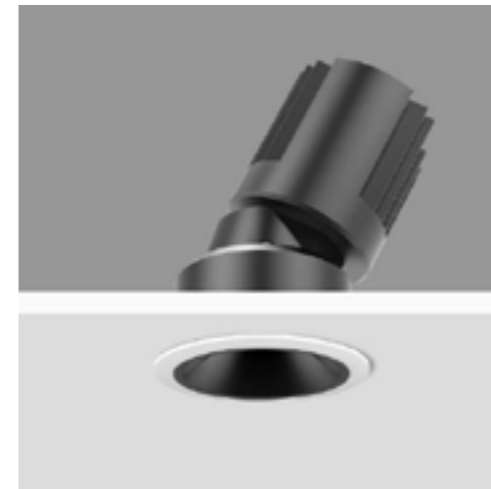
# K-CL36-2F-R2D



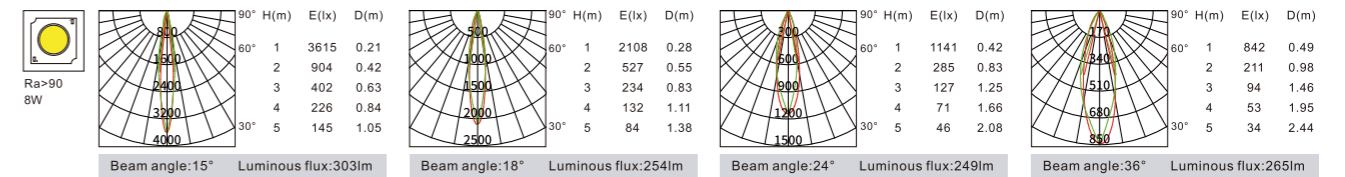
Model	Power	LED voltage	LED Current	CRI	CCT	Beam Angle	LED Output	System output	Dimming Type
K-CL36-208F-R2D	8W	3V	2000mA	90	2700K	15°	741lm	291lm	ON-OFF
						18°	741lm	244lm	TRIAC
						24°	741lm	240lm	1-10V
						36°	741lm	254lm	DALI
	8W	3V	2000mA	90	3000K	15°	770lm	303lm	ON-OFF
						18°	770lm	254lm	TRIAC
						24°	770lm	250lm	1-10V
						36°	770lm	264lm	DALI
	8W	3V	2000mA	90	4000K	15°	806lm	317lm	ON-OFF
						18°	806lm	265lm	TRIAC
						24°	806lm	261lm	1-10V
						36°	806lm	276lm	DALI



# K-CL36-2T-R2D

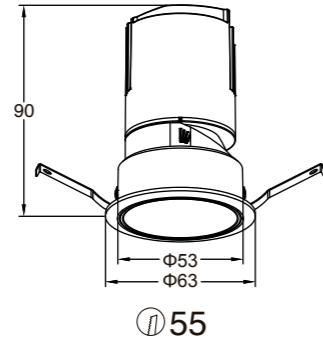


Model	Power	LED voltage	LED Current	CRI	CCT	Beam Angle	LED Output	System output	Dimming Type
K-CL36-208T-R2D	8W	3V	2000mA	90	2700K	15°	741lm	291lm	ON-OFF
						18°	741lm	244lm	TRIAC
						24°	741lm	240lm	1-10V
						36°	741lm	254lm	DALI
	8W	3V	2000mA	90	3000K	15°	770lm	303lm	ON-OFF
						18°	770lm	254lm	TRIAC
						24°	770lm	250lm	1-10V
						36°	770lm	264lm	DALI
	8W	3V	2000mA	90	4000K	15°	806lm	317lm	ON-OFF
						18°	806lm	265lm	TRIAC
						24°	806lm	261lm	1-10V
						36°	806lm	276lm	DALI

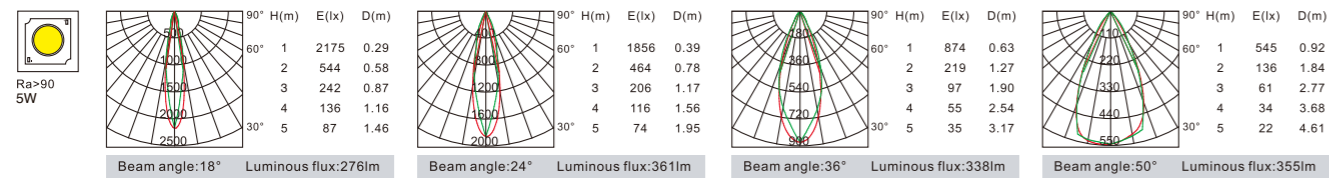




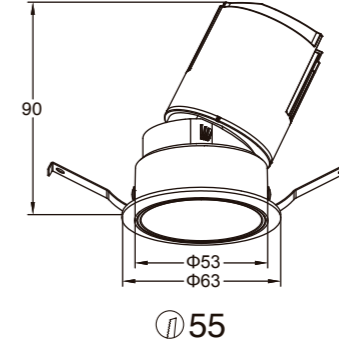
# K-CL36-55T-R2D



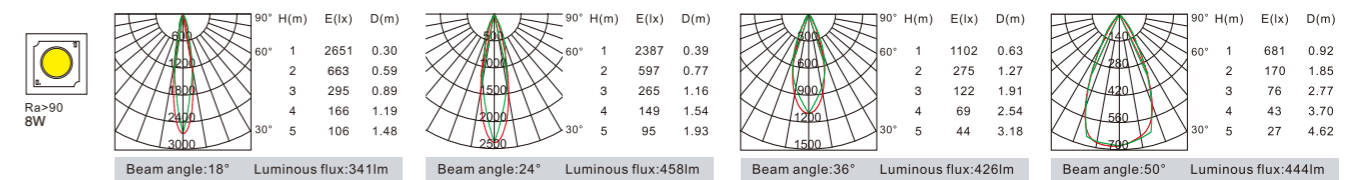
Model	Power	LED voltage	LED Current	CRI	CCT	Beam Angle	LED Output	System output	Dimming Type
K-CL36-5505T-R2D	5W	36V	120mA	90	2700K	18°	445lm	265lm	ON-OFF
						24°	445lm	347lm	TRIAC
						36°	445lm	325lm	1-10V
						50°	445lm	341lm	DALI
	5W	36V	120mA	90	3000K	18°	462lm	276lm	ON-OFF
						24°	462lm	361lm	TRIAC
						36°	462lm	338lm	1-10V
						50°	462lm	355lm	DALI
	5W	36V	120mA	90	4000K	18°	484lm	289lm	ON-OFF
						24°	484lm	378lm	TRIAC
						36°	484lm	354lm	1-10V
						50°	484lm	371lm	DALI



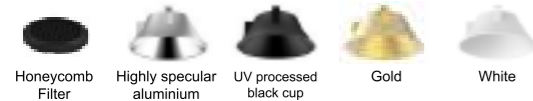
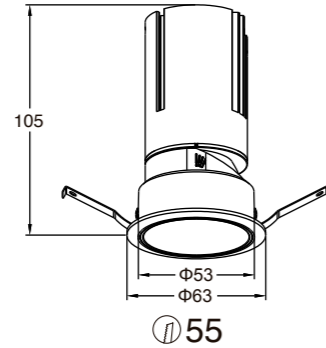
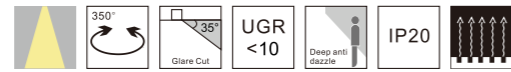
# K-CL36-55T-R2D



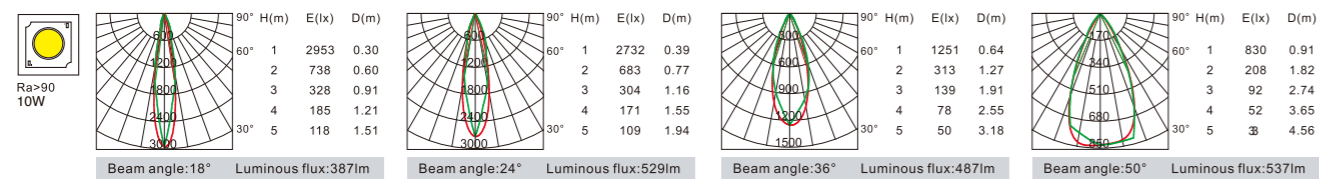
Model	Power	LED voltage	LED Current	CRI	CCT	Beam Angle	LED Output	System output	Dimming Type
K-CL36-5508T-R2D	8W	36V	200mA	90	2700K	18°	741lm	328lm	ON-OFF
						24°	741lm	440lm	TRIAC
						36°	741lm	409lm	1-10V
						50°	741lm	427lm	DALI
	8W	36V	200mA	90	3000K	18°	770lm	341lm	ON-OFF
						24°	770lm	358lm	TRIAC
						36°	770lm	426lm	1-10V
						50°	770lm	444lm	DALI
	8W	36V	200mA	90	4000K	18°	806lm	356lm	ON-OFF
						24°	806lm	479lm	TRIAC
						36°	806lm	445lm	1-10V
						50°	806lm	464lm	DALI



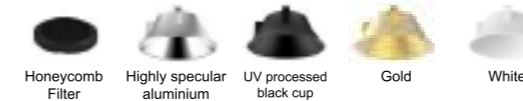
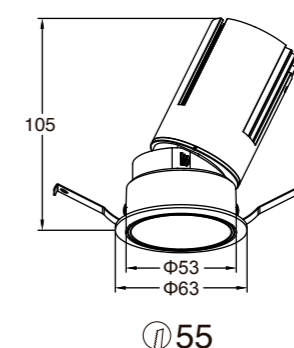
# K-CL36-55T-R2D



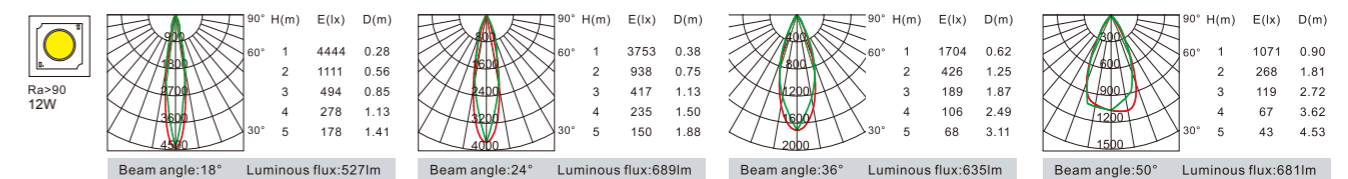
Model	Power	LED voltage	LED Current	CRI	CCT	Beam Angle	LED Output	System output	Dimming Type
K-CL36-5510T-R2D	10W	36V	250mA	90	2700K	18°	927lm	372lm	ON-OFF
						24°	927lm	509lm	TRIAC
						36°	927lm	468lm	1-10V
						50°	927lm	516lm	DALI
	10W	36V	250mA	90	3000K	18°	963lm	387lm	ON-OFF
						24°	963lm	529m	TRIAC
						36°	963lm	487lm	1-10V
						50°	963lm	537lm	DALI
	10W	36V	250mA	90	4000K	18°	1008lm	405lm	ON-OFF
						24°	1008lm	553lm	TRIAC
						36°	1008lm	509lm	1-10V
						50°	1008lm	562lm	DALI



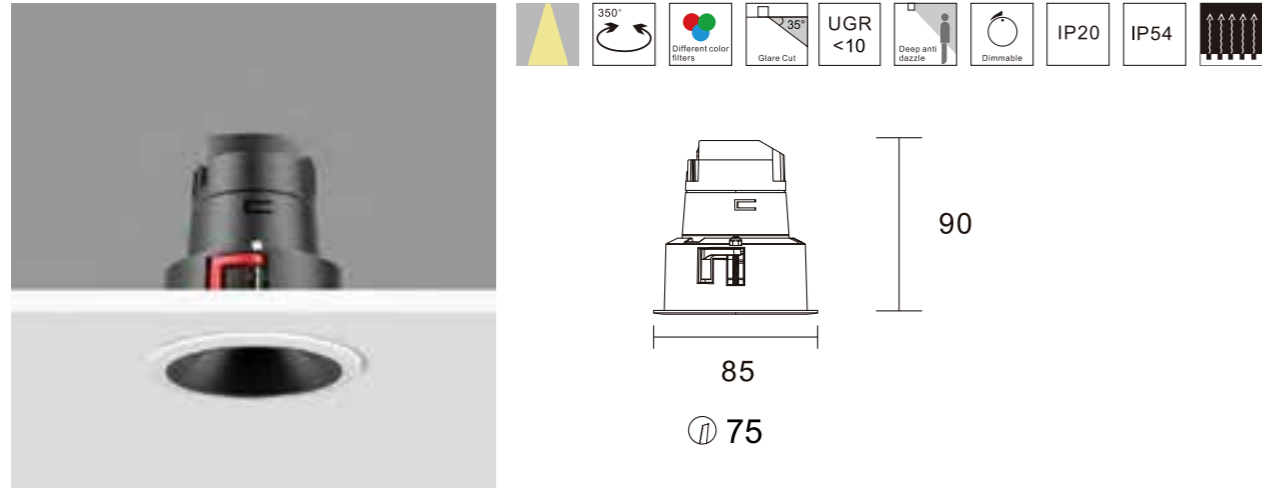
# K-CL36-55T-R2D



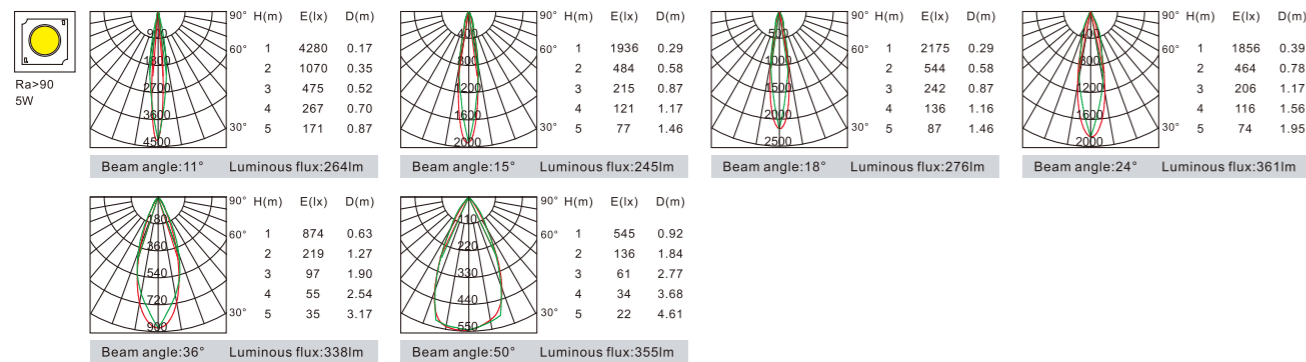
Model	Power	LED voltage	LED Current	CRI	CCT	Beam Angle	LED Output	System output	Dimming Type
K-CL36-5512T-R2D	12W	36V	300mA	90	2700K	18°	1112lm	507lm	ON-OFF
						24°	1112lm	663lm	TRIAC
						36°	1112lm	611lm	1-10V
						50°	1112lm	655lm	DALI
	12W	36V	300mA	90	3000K	18°	1155lm	527lm	ON-OFF
						24°	1155lm	689lm	TRIAC
						36°	1155lm	635lm	1-10V
						50°	1155lm	681lm	DALI
	12W	36V	300mA	90	4000K	18°	1209lm	551lm	ON-OFF
						24°	1209lm	721lm	TRIAC
						36°	1209lm	664lm	1-10V
						50°	1209lm	712lm	DALI



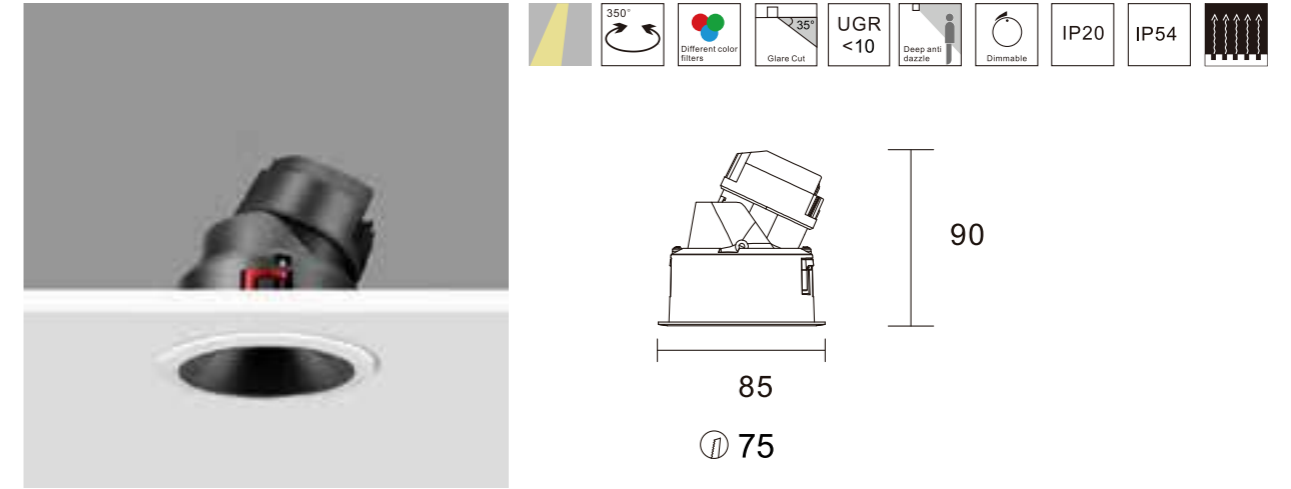
# K-CL36-3F-R1D



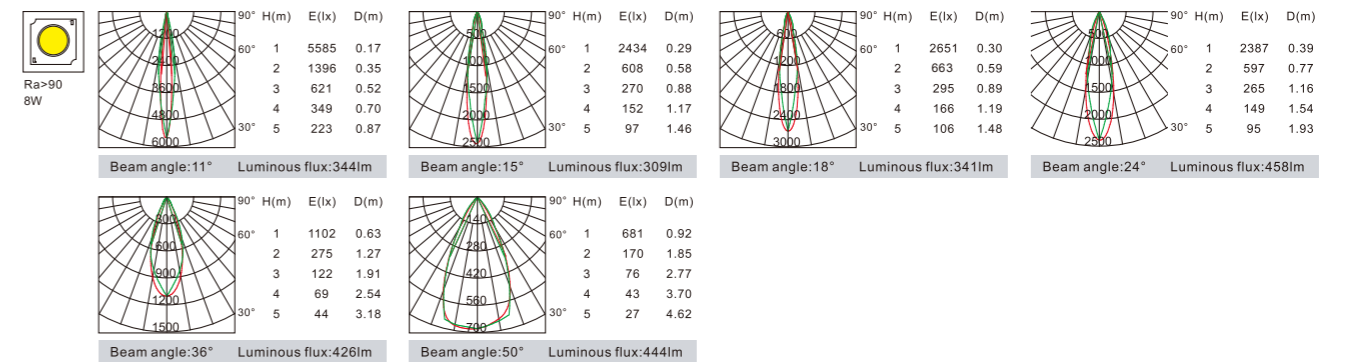
Model	Power	LED voltage	LED Current	CRI	CCT	Beam Angle	LED Output	System output	Dimming Type
K-CL36-305F-R1D	5W	36V	120mA	90	2700K	11°	445lm	254lm	ON-OFF TRIAC 1-10V DALI
						15°	445lm	235lm	
						18°	445lm	265lm	
						24°	445lm	347lm	
						36°	445lm	325lm	
K-CL36-305T-R1D	5W	36V	120mA	90	3000K	11°	462lm	264lm	ON-OFF TRIAC 1-10V DALI
						15°	462lm	245lm	
						18°	462lm	276lm	
						24°	462lm	361lm	
						36°	462lm	338lm	
K-CL36-305T-R1D	5W	36V	120mA	90	4000K	11°	484lm	276lm	ON-OFF TRIAC 1-10V DALI
						15°	484lm	256lm	
						18°	484lm	289lm	
						24°	484lm	378lm	
						36°	484lm	354lm	
50°	484lm	371lm							



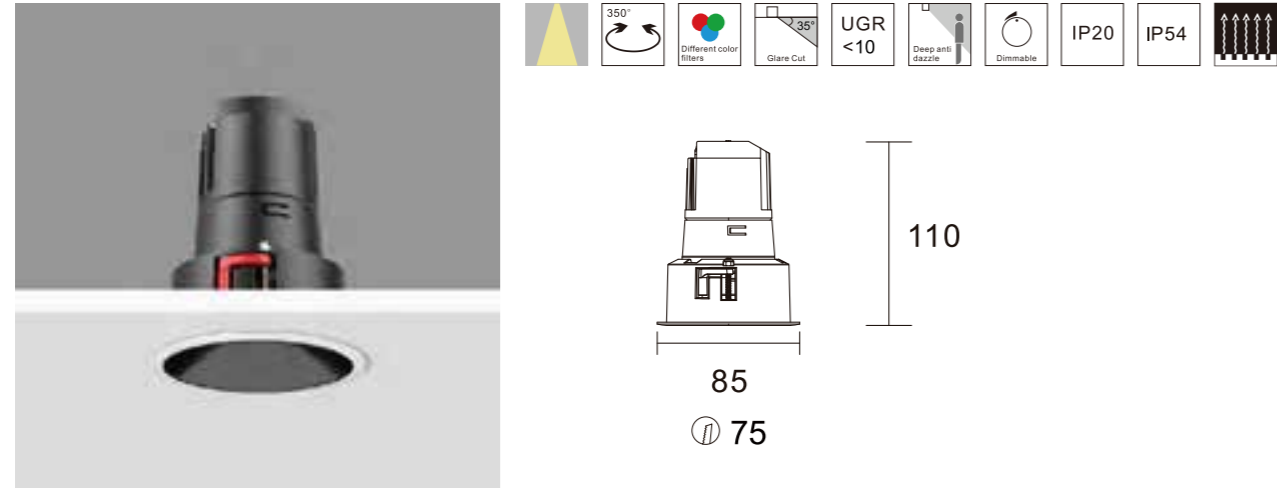
# K-CL36-3T-R1D



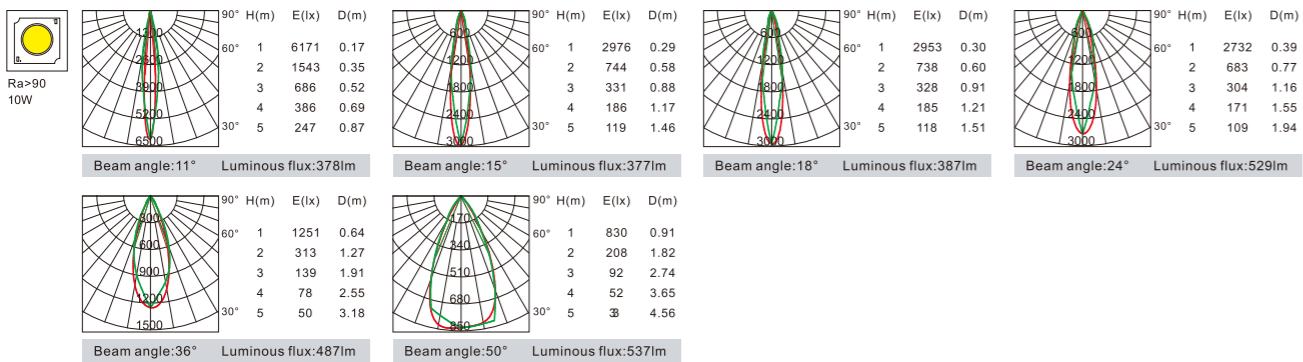
Model	Power	LED voltage	LED Current	CRI	CCT	Beam Angle	LED Output	System output	Dimming Type
K-CL36-308F-R1D	8W	36V	200mA	90	2700K	11°	741lm	331lm	ON-OFF TRIAC 1-10V DALI
						15°	741lm	295lm	
						18°	741lm	328lm	
						24°	741lm	440lm	
						36°	741lm	409lm	
K-CL36-308T-R1D	8W	36V	200mA	90	3000K	11°	770lm	344lm	ON-OFF TRIAC 1-10V DALI
						15°	770lm	307lm	
						18°	770lm	341lm	
						24°	770lm	458lm	
						36°	770lm	426lm	
K-CL36-308T-R1D	8W	36V	200mA	90	4000K	11°	806lm	360lm	ON-OFF TRIAC 1-10V DALI
						15°	806lm	321lm	
						18°	806lm	356lm	
						24°	806lm	479lm	
						36°	806lm	445lm	
50°	806lm	464lm							



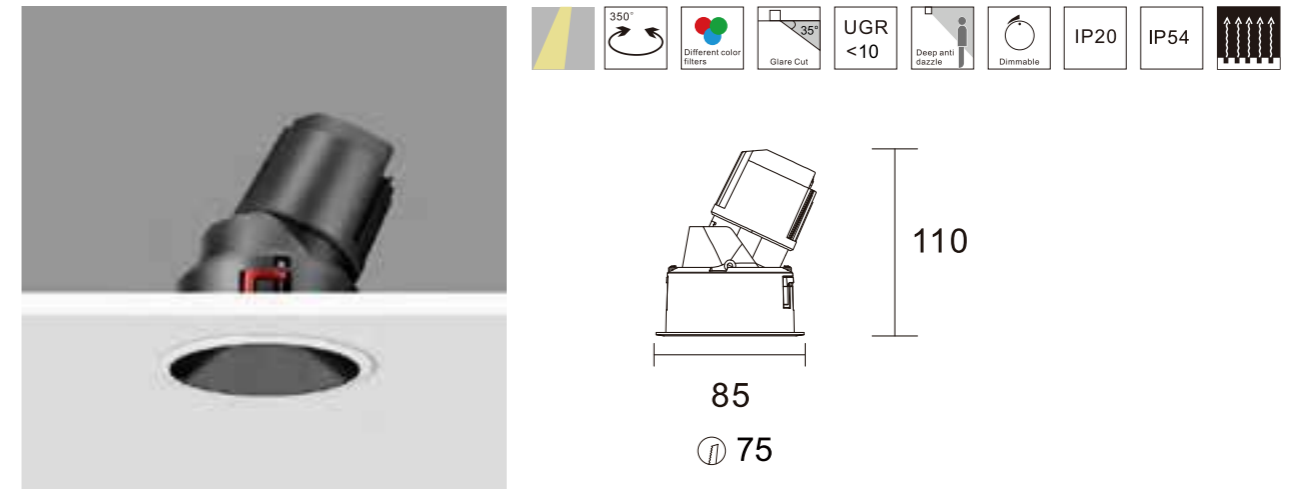
# K-CL36-3F-R1D



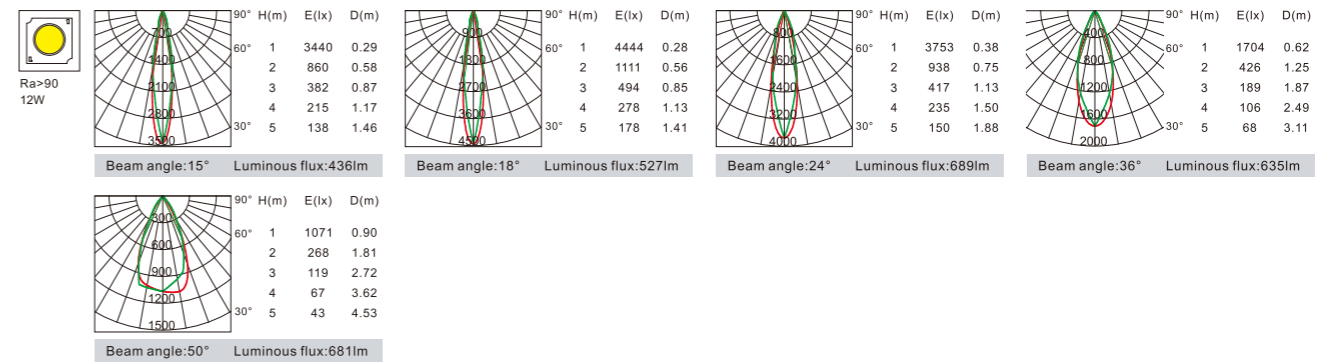
Model	Power	LED voltage	LED Current	CRI	CCT	Beam Angle	LED Output	System output	Dimming Type
K-CL36-310F-R1D	10W	36V	250mA	90	2700K	11°	927lm	363lm	ON-OFF TRIAC 1-10V DALI
						15°	927lm	362lm	
						18°	927lm	372lm	
						24°	927lm	509lm	
						36°	927lm	468lm	
K-CL36-310T-R1D	10W	36V	250mA	90	3000K	11°	963lm	378lm	ON-OFF TRIAC 1-10V DALI
						15°	963lm	377lm	
						18°	963lm	387lm	
						24°	963lm	529lm	
						36°	963lm	487lm	
K-CL36-310T-R1D	10W	36V	250mA	90	4000K	11°	1008lm	395lm	ON-OFF TRIAC 1-10V DALI
						15°	1008lm	394lm	
						18°	1008lm	405lm	
						24°	1008lm	553lm	
						36°	1008lm	509lm	
						50°	1008lm	562lm	



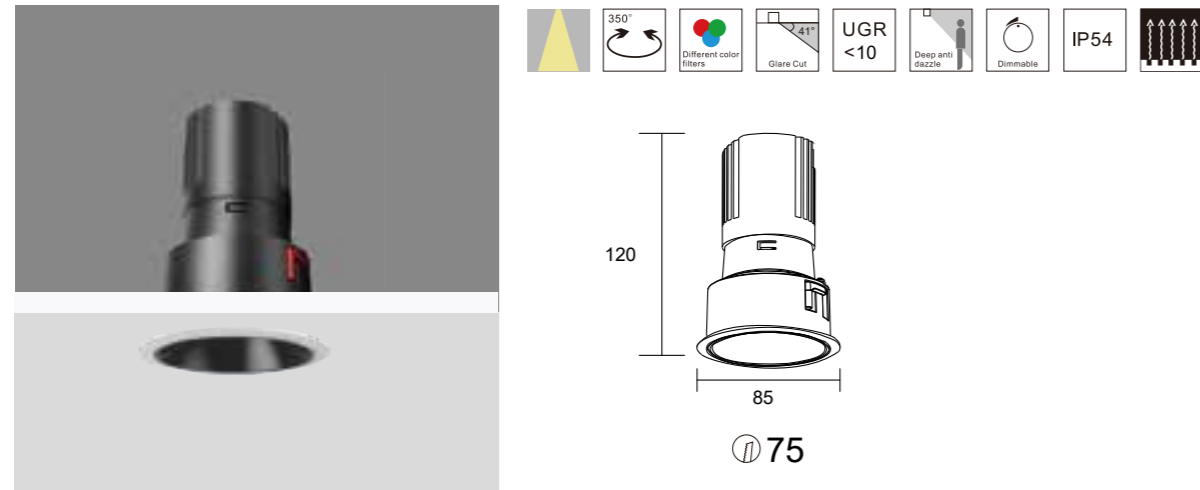
# K-CL36-3T-R1D



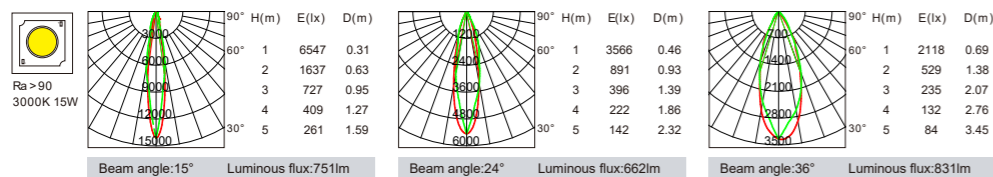
Model	Power	LED voltage	LED Current	CRI	CCT	Beam Angle	LED Output	System output	Dimming Type
K-CL36-312F-R1D	12W	36V	300mA	90	2700K	15°	1112lm	410lm	ON-OFF TRIAC 1-10V DALI
						18°	1112lm	507lm	
						24°	1112lm	663lm	
						36°	1112lm	611lm	
						50°	1112lm	655lm	
K-CL36-312T-R1D	12W	36V	300mA	90	3000K	15°	1155lm	436lm	ON-OFF TRIAC 1-10V DALI
						18°	1155lm	527lm	
						24°	1155lm	689lm	
						36°	1155lm	635lm	
						50°	1155lm	681lm	
K-CL36-312T-R1D	12W	36V	300mA	90	4000K	15°	1209lm	445lm	ON-OFF TRIAC 1-10V DALI
						18°	1209lm	551lm	
						24°	1209lm	721lm	
						36°	1209lm	664lm	
						50°	1209lm	712lm	



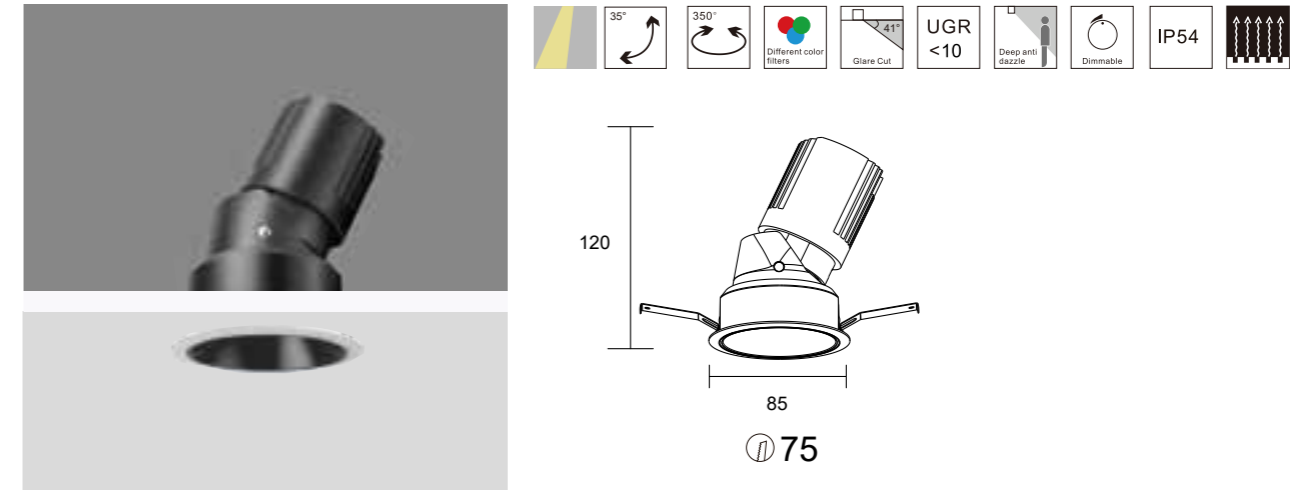
# K-CL36-3F-R1D



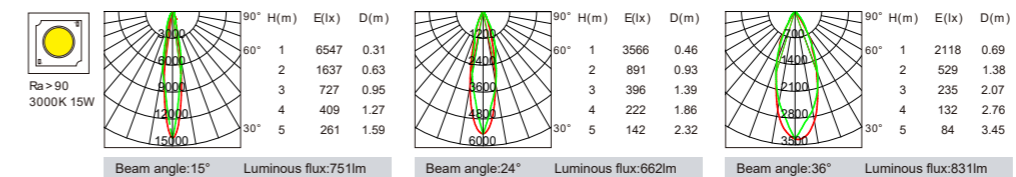
Model	Power	LED voltage	LED Current	CRI	CCT	Beam Angle	LED Output	System output	Dimming Type
K-CL36-315F-R1D	15W	36V	350mA	90	2700K	15°	1246lm	697lm	ON-OFF
						24°	1246lm	614lm	TRIAC
						36°	1246lm	771lm	1-10V
						50°	1246lm	820lm	DALI
K-CL36-315TR1D	15W	36V	350mA	90	3000K	15°	1342lm	751lm	ON-OFF
						24°	1342lm	662lm	TRIAC
						36°	1342lm	831lm	1-10V
						50°	1342lm	884lm	DALI
	15W	36V	350mA	90	4000K	15°	1426lm	798lm	ON-OFF
						24°	1426lm	703lm	TRIAC
						36°	1426lm	883lm	1-10V
						50°	1426lm	939lm	DALI



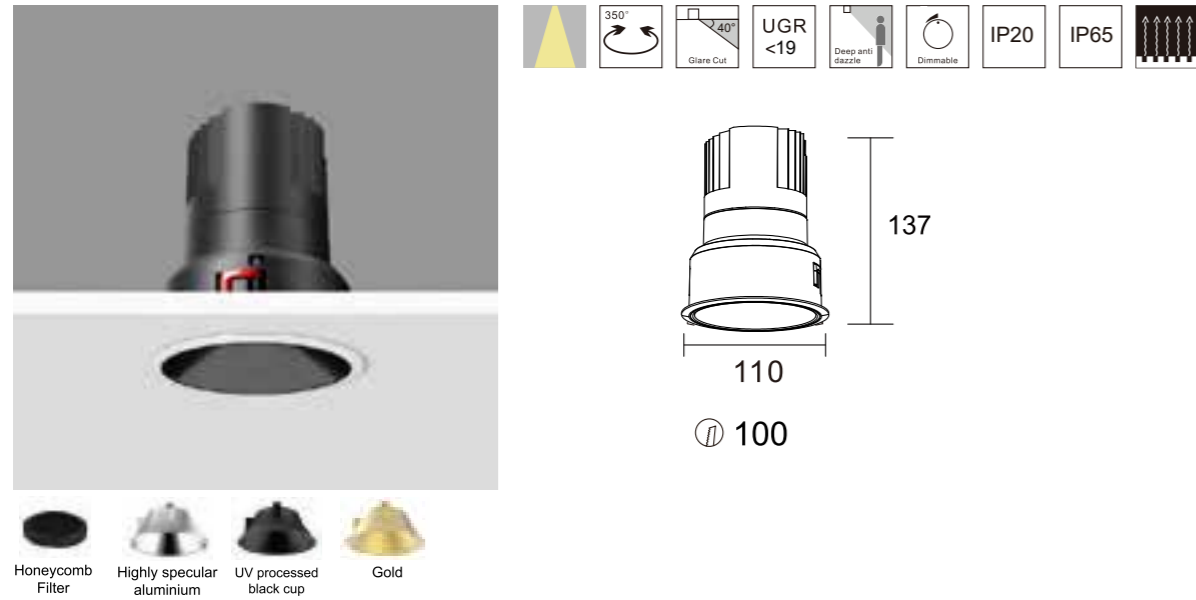
# K-CL36-3T-R2D



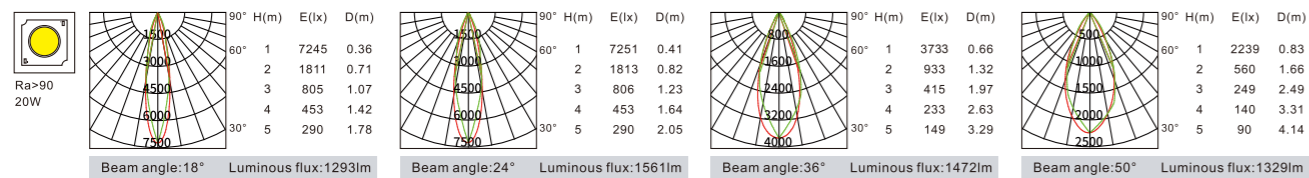
Model	Power	LED voltage	LED Current	CRI	CCT	Beam Angle	LED Output	System output	Dimming Type
K-CL36-315F-R2D	15W	36V	350mA	90	2700K	15°	1246lm	697lm	ON-OFF
						24°	1246lm	614lm	TRIAC
						36°	1246lm	771lm	1-10V
						50°	1246lm	820lm	DALI
K-CL36-315TR2D	15W	36V	350mA	90	3000K	15°	1342lm	751lm	ON-OFF
						24°	1342lm	662lm	TRIAC
						36°	1342lm	831lm	1-10V
						50°	1342lm	884lm	DALI
	15W	36V	350mA	90	4000K	15°	1426lm	798lm	ON-OFF
						24°	1426lm	703lm	TRIAC
						36°	1426lm	883lm	1-10V
						50°	1426lm	939lm	DALI



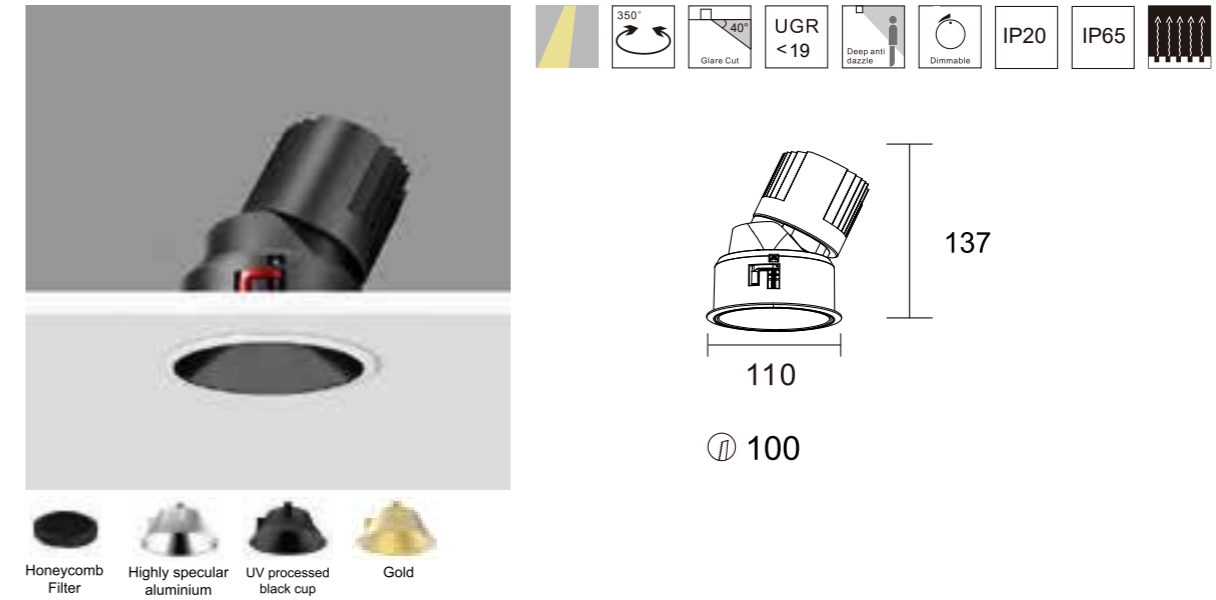
# K-CL36-4F-R1D



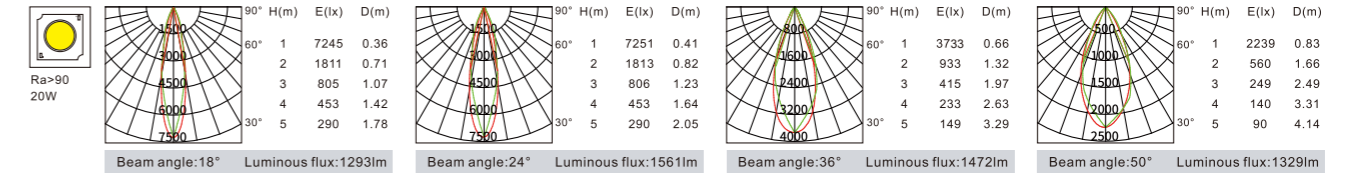
Model	Power	LED voltage	LED Current	CRI	CCT	Beam Angle	LED Output	System output	Dimming Type
K-CL36-420F-R1D	20W	36V	500mA	90	2700K	10°	1754lm	1065lm	ON-OFF
						15°	1754lm	1103lm	TRIAC
						24°	1754lm	1444lm	1-10V
						36°	1754lm	1346lm	1-10V
						50°	1754lm	1250lm	DALI
K-CL36-420F-R1D	20W	36V	500mA	90	3000K	10°	1826lm	1135lm	ON-OFF
						15°	1826lm	1293lm	TRIAC
						24°	1826lm	1560lm	1-10V
						36°	1826lm	1472lm	1-10V
						50°	1826lm	1329lm	DALI
K-CL36-420F-R1D	20W	36V	500mA	90	4000K	10°	1916lm	1302lm	ON-OFF
						15°	1916lm	1455lm	TRIAC
						24°	1916lm	1705lm	1-10V
						36°	1916lm	1607lm	1-10V
						50°	1916lm	1503lm	DALI



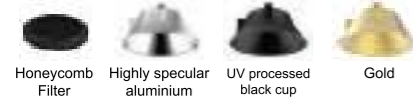
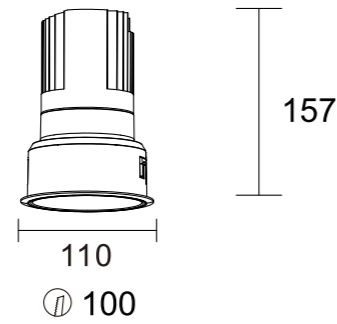
# K-CL36-4T-R1D



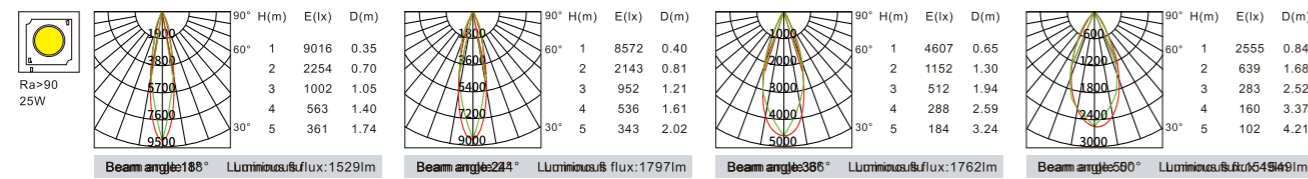
Model	Power	LED voltage	LED Current	CRI	CCT	Beam Angle	LED Output	System output	Dimming Type
K-CL36-420T-R1D	20W	36V	500mA	90	2700K	10°	1754lm	1065lm	ON-OFF
						15°	1754lm	1103lm	TRIAC
						24°	1754lm	1444lm	1-10V
						36°	1754lm	1346lm	1-10V
						50°	1754lm	1250lm	DALI
K-CL36-420T-R1D	20W	36V	500mA	90	3000K	10°	1826lm	1135lm	ON-OFF
						15°	1826lm	1293lm	TRIAC
						24°	1826lm	1560lm	1-10V
						36°	1826lm	1472lm	1-10V
						50°	1826lm	1329lm	DALI
K-CL36-420T-R1D	20W	36V	500mA	90	4000K	10°	1916lm	1302lm	ON-OFF
						15°	1916lm	1455lm	TRIAC
						24°	1916lm	1705lm	1-10V
						36°	1916lm	1607lm	1-10V
						50°	1916lm	1503lm	DALI



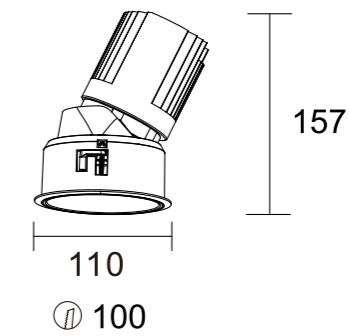
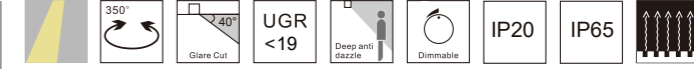
# K-CL36-4F-R1D



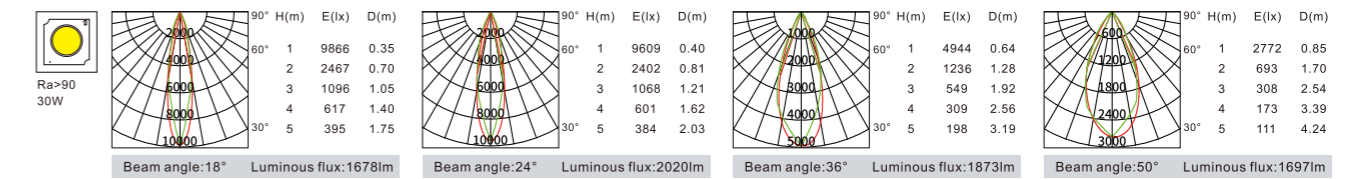
Model	Power	LED voltage	LED Current	CRI	CCT	Beam Angle	LED Output	System output	Dimming Type
K-CL36-425F-R1D	25W	36V	600mA	90	2700K	18°	2225lm	2216lm	ON-OFF
						24°	2225lm	2347lm	TRIAC
						36°	2225lm	2322lm	1-10V
						50°	2225lm	2209lm	DALI
K-CL36-425T-R1D	25W	36V	600mA	90	3000K	18°	2311lm	2303lm	ON-OFF
						24°	2311lm	2439lm	TRIAC
						36°	2311lm	2413lm	1-10V
						50°	2311lm	2297lm	DALI
K-CL36-425F-R1D	25W	36V	600mA	90	4000K	18°	2419lm	2409lm	ON-OFF
						24°	2419lm	2552lm	TRIAC
						36°	2419lm	2525lm	1-10V
						50°	2419lm	2402lm	DALI



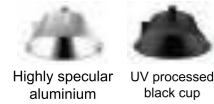
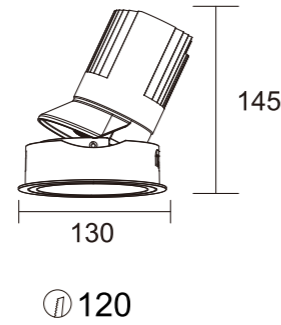
# K-CL36-4T-R1D



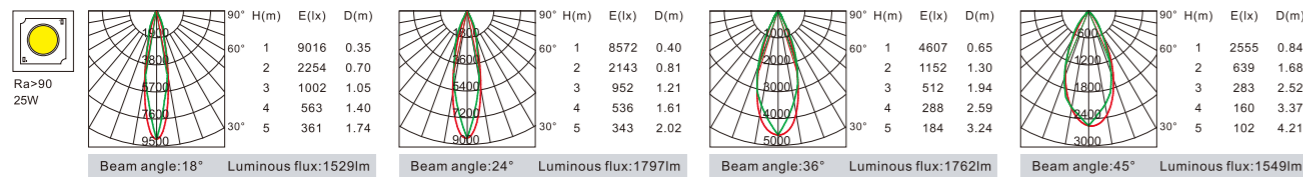
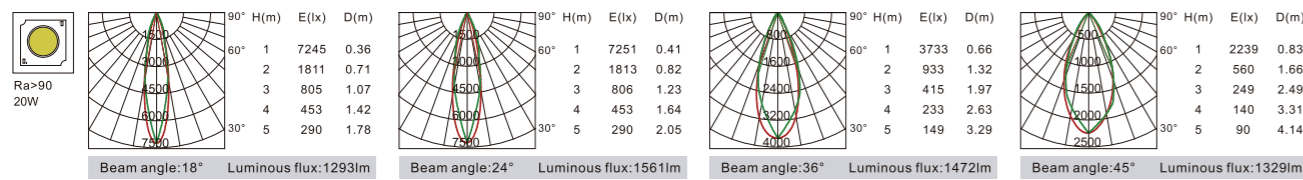
Model	Power	LED voltage	LED Current	CRI	CCT	Beam Angle	LED Output	System output	Dimming Type
K-CL36-430F-R1D	30W	36V	700mA	90	2700K	18°	2595lm	2343lm	ON-OFF
						24°	2595lm	2358lm	TRIAC
						36°	2595lm	2322lm	1-10V
						50°	2595lm	2255lm	DALI
K-CL36-430T-R1D	30W	36V	700mA	90	3000K	18°	2696lm	2436lm	ON-OFF
						24°	2696lm	2451lm	TRIAC
						36°	2696lm	2415lm	1-10V
						50°	2696lm	2345lm	DALI
K-CL36-430F-R1D	30W	36V	700mA	90	4000K	18°	2822lm	2548lm	ON-OFF
						24°	2822lm	2565lm	TRIAC
						36°	2822lm	2525lm	1-10V
						50°	2822lm	2452lm	DALI



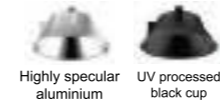
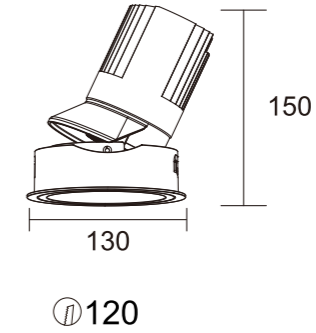
# K-CL36-4T-R1D



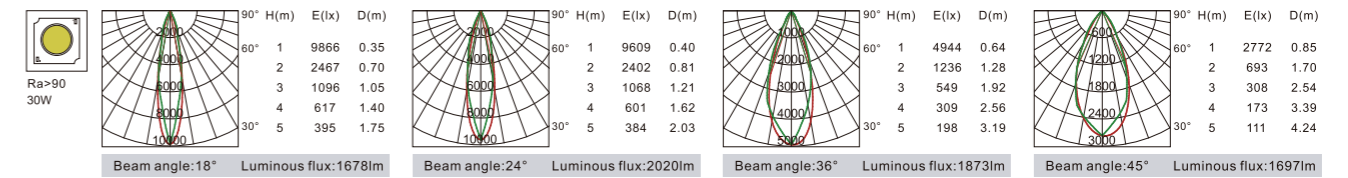
Model	Power	LED voltage	LED Current	CRI	CCT	Beam Angle	LED Output	System output	Dimming Type
K-CL36-4520T-R1D	20W	36V	500mA	90	2700K	18°	1854lm	1244lm	ON-OFF
						24°	1854lm	1502lm	TRIAC
						36°	1854lm	1416lm	1-10V
						45°	1854lm	1279lm	DALI
	20W	36V	500mA	90	3000K	18°	1926lm	1293lm	ON-OFF
						24°	1926lm	1561lm	TRIAC
						36°	1926lm	1472lm	1-10V
						45°	1926lm	1329lm	DALI
	20W	36V	500mA	90	4000K	18°	2016lm	1353lm	ON-OFF
						24°	2016lm	1633lm	TRIAC
						36°	2016lm	1540lm	1-10V
						45°	2016lm	1391lm	DALI
K-CL36-4525T-R1D	25W	36V	600mA	90	2700K	18°	2225lm	1472lm	ON-OFF
						24°	2225lm	1730lm	TRIAC
						36°	2225lm	1696lm	1-10V
						45°	2225lm	1491lm	DALI
	25W	36V	600mA	90	3000K	18°	2311lm	1529lm	ON-OFF
						24°	2311lm	1797lm	TRIAC
						36°	2311lm	1762lm	1-10V
						45°	2311lm	1549lm	DALI
	25W	36V	600mA	90	4000K	18°	2419lm	1600lm	ON-OFF
						24°	2419lm	1880lm	TRIAC
						36°	2419lm	1844lm	1-10V
						45°	2419lm	1621lm	DALI



# K-CL36-4T-R1D

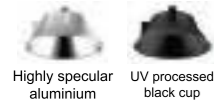
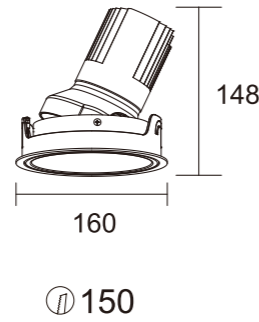


Model	Power	LED voltage	LED Current	CRI	CCT	Beam Angle	LED Output	System output	Dimming Type
K-CL36-4530T-R1D	30W	36V	700mA	90	2700K	18°	2595lm	1615lm	ON-OFF
						24°	2595lm	1944lm	TRIAC
						36°	2595lm	1802lm	1-10V
						45°	2595lm	1633lm	DALI
	30W	36V	700mA	90	3000K	18°	2696lm	1678lm	ON-OFF
						24°	2696lm	2020lm	TRIAC
						36°	2696lm	1873lm	1-10V
						45°	2696lm	1697lm	DALI
	30W	36V	700mA	90	4000K	18°	2822lm	1756lm	ON-OFF
						24°	2822lm	2114lm	TRIAC
						36°	2822lm	1960lm	1-10V
						45°	2822lm	1776lm	DALI

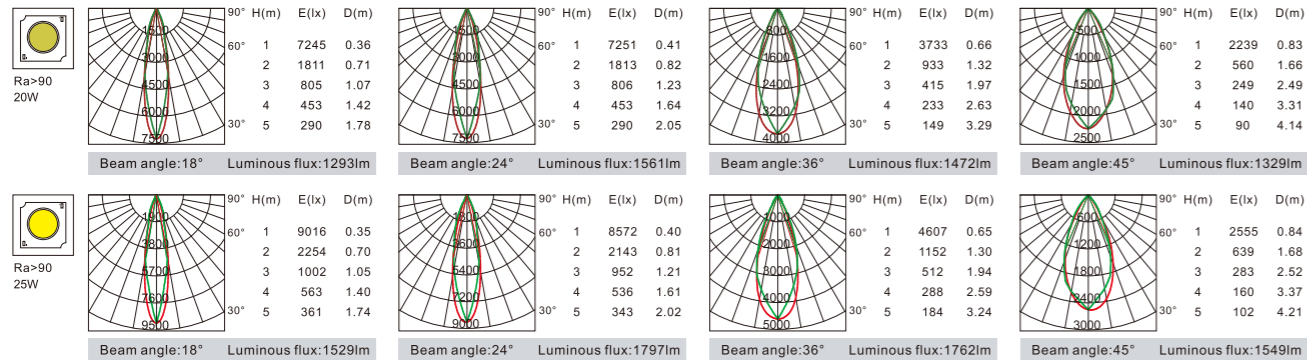




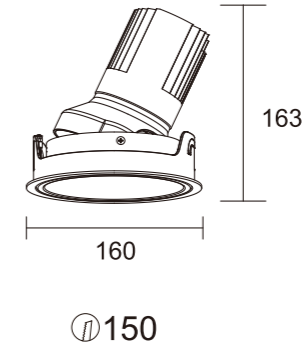
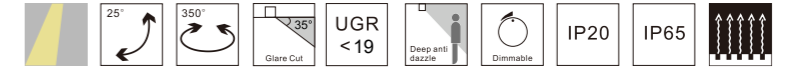
# K-CL36-5T-R1D



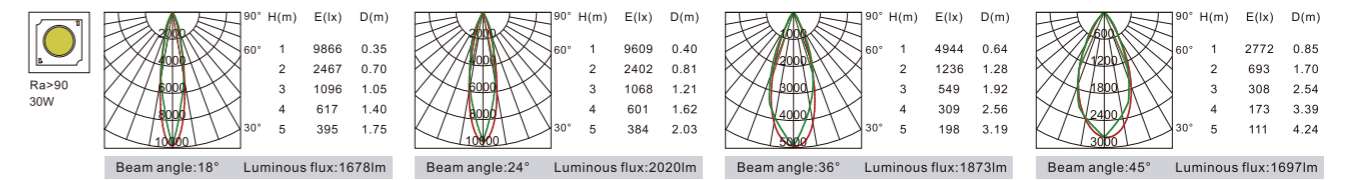
Model	Power	LED voltage	LED Current	CRI	CCT	Beam Angle	LED Output	System output	Dimming Type
K-CL36-520T-R1D	20W	36V	500mA	90	2700K	18°	1854lm	1244lm	ON-OFF
						24°	1854lm	1502lm	TRIAC
						36°	1854lm	1416lm	1-10V
						45°	1854lm	1279lm	DALI
	20W	36V	500mA	90	3000K	18°	1926lm	1293lm	ON-OFF
						24°	1926lm	1561lm	TRIAC
						36°	1926lm	1472lm	1-10V
						45°	1926lm	1329lm	DALI
	20W	36V	500mA	90	4000K	18°	2016lm	1353lm	ON-OFF
						24°	2016lm	1633lm	TRIAC
						36°	2016lm	1540lm	1-10V
						45°	2016lm	1391lm	DALI
K-CL36-525T-R1D	25W	36V	600mA	90	2700K	18°	2225lm	1472lm	ON-OFF
						24°	2225lm	1730lm	TRIAC
						36°	2225lm	1696lm	1-10V
						45°	2225lm	1491lm	DALI
	25W	36V	600mA	90	3000K	18°	2311lm	1529lm	ON-OFF
						24°	2311lm	1797lm	TRIAC
						36°	2311lm	1762lm	1-10V
						45°	2311lm	1549lm	DALI
	25W	36V	600mA	90	4000K	18°	2419lm	1600lm	ON-OFF
						24°	2419lm	1880lm	TRIAC
						36°	2419lm	1844lm	1-10V
						45°	2419lm	1621lm	DALI



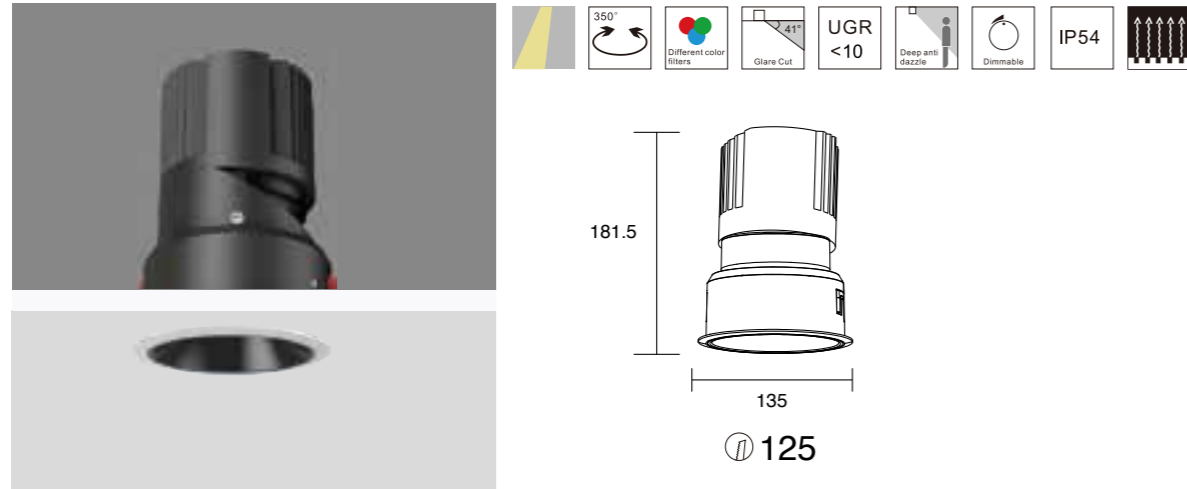
# K-CL36-5T-R1D



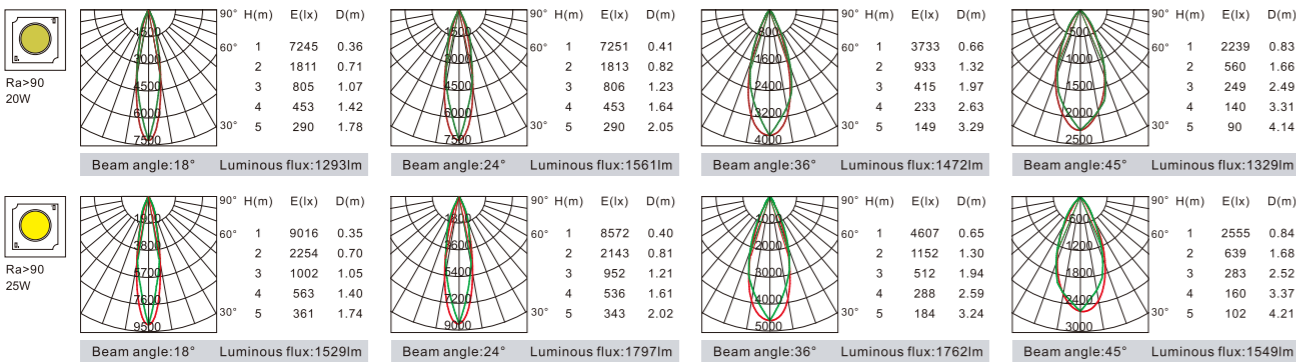
Model	Power	LED voltage	LED Current	CRI	CCT	Beam Angle	LED Output	System output	Dimming Type
K-CL36-530T-R1D	30W	36V	700mA	90	2700K	18°	2595lm	1615lm	ON-OFF
						24°	2595lm	1944lm	TRIAC
						36°	2595lm	1802lm	1-10V
						45°	2595lm	1633lm	DALI
	30W	36V	700mA	90	3000K	18°	2696lm	1678lm	ON-OFF
						24°	2696lm	2020lm	TRIAC
						36°	2696lm	1873lm	1-10V
						45°	2696lm	1697lm	DALI
	30W	36V	700mA	90	4000K	18°	2822lm	1756lm	ON-OFF
						24°	2822lm	2114lm	TRIAC
						36°	2822lm	1960lm	1-10V
						45°	2822lm	1776lm	DALI



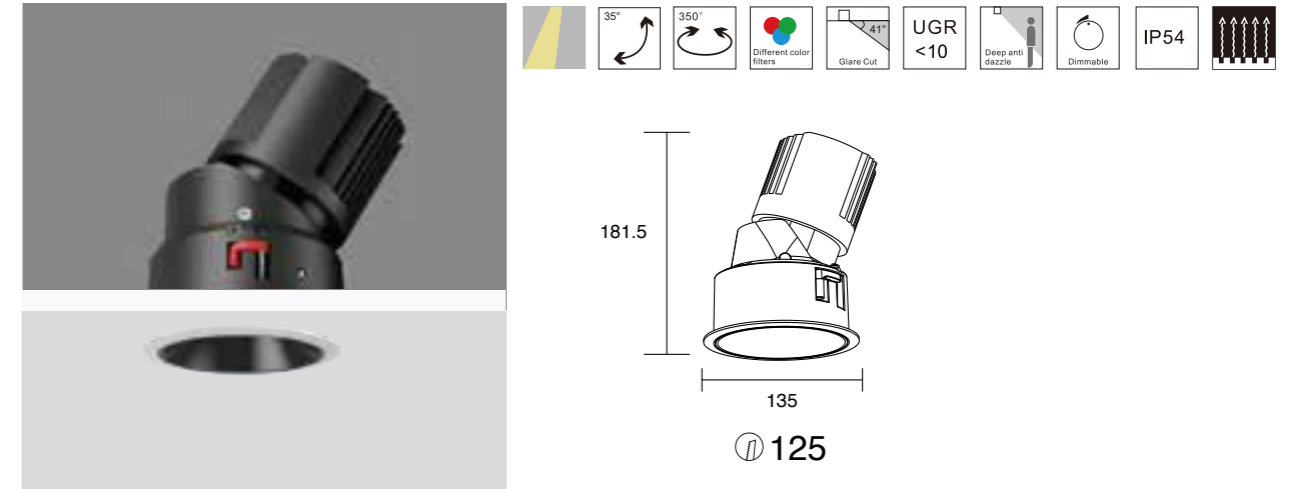
# KAS-CL36L-5F-R1D



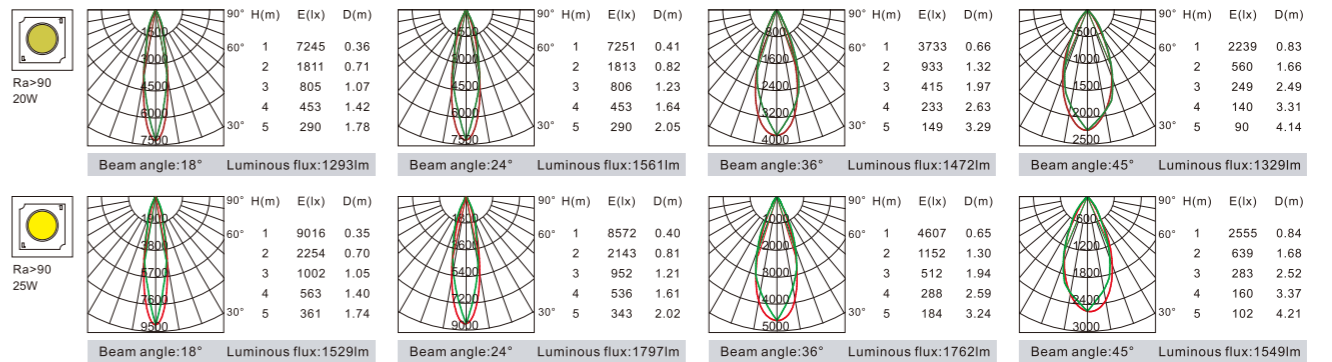
Honeycomb Filter	Model	Power	LED voltage	LED Current	CRI	CCT	Beam Angle	LED Output	System output	Dimming Type
Honeycomb Filter	KAS-CL36L-530F-R1D	20W	36V	500mA	90	2700K	20°	2854lm	2544lm	ON-OFF
							24°	2854lm	2702lm	TRIAC
							36°	2854lm	2616lm	1-10V
							50°	2854lm	2579lm	DALI
	20W	36V	500mA	90	3000K	20°	2926lm	2593lm	ON-OFF	
						24°	2926lm	2861lm	TRIAC	
						36°	2926lm	2772lm	1-10V	
						50°	2926lm	2829lm	DALI	
	20W	36V	500mA	90	4000K	20°	3016lm	2705lm	ON-OFF	
						24°	3016lm	2682lm	TRIAC	
						36°	3016lm	2658lm	1-10V	
						50°	3016lm	2865lm	DALI	
Honeycomb Filter	KAS-CL36L-540F-R1D	25W	36V	600mA	90	2700K	20°	3925lm	3472lm	ON-OFF
							24°	3925lm	3730lm	TRIAC
							36°	3925lm	3696lm	1-10V
							50°	3925lm	3491lm	DALI
	25W	36V	600mA	90	3000K	18°	4311lm	3929lm	ON-OFF	
						24°	4311lm	4097lm	TRIAC	
						36°	4311lm	4062lm	1-10V	
						45°	4311lm	3849lm	DALI	
	25W	36V	600mA	90	4000K	20°	4419lm	4041lm	ON-OFF	
						24°	4419lm	3895lm	TRIAC	
						36°	4419lm	3868lm	1-10V	
						50°	4419lm	3964lm	DALI	



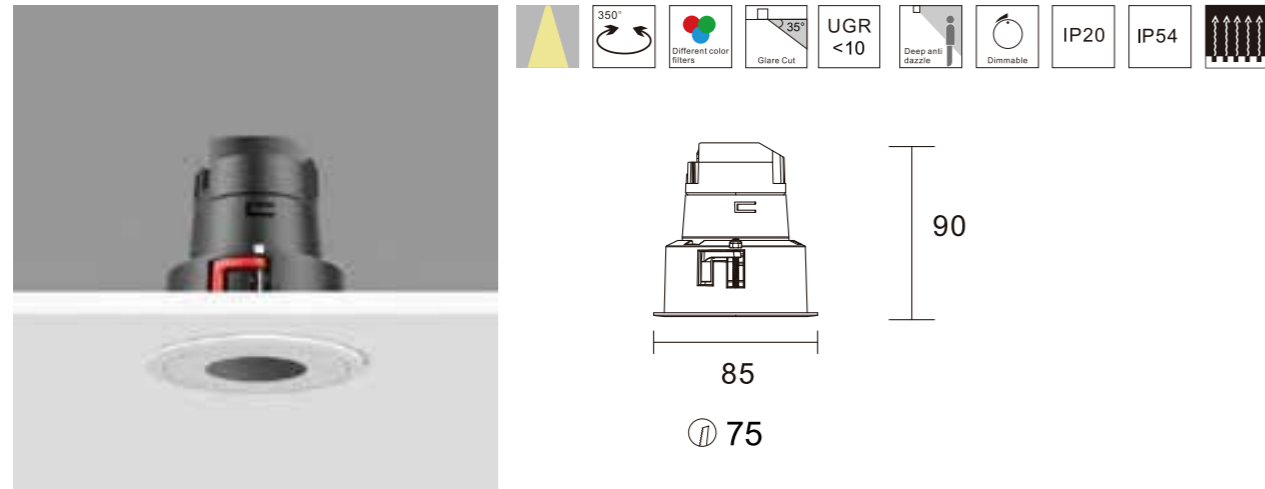
# KAS-CL36L-5T-R1D



Honeycomb Filter	Model	Power	LED voltage	LED Current	CRI	CCT	Beam Angle	LED Output	System output	Dimming Type
Honeycomb Filter	KAS-CL36L-530T-R1D	20W	36V	500mA	90	2700K	20°	2854lm	2544lm	ON-OFF
							24°	2854lm	2702lm	TRIAC
							36°	2854lm	2616lm	1-10V
							50°	2854lm	2579lm	DALI
	20W	36V	500mA	90	3000K	20°	2926lm	2593lm	ON-OFF	
						24°	2926lm	2861lm	TRIAC	
						36°	2926lm	2772lm	1-10V	
						50°	2926lm	2829lm	DALI	
	20W	36V	500mA	90	4000K	20°	3016lm	2705lm	ON-OFF	
						24°	3016lm	2682lm	TRIAC	
						36°	3016lm	2658lm	1-10V	
						50°	3016lm	2865lm	DALI	
Honeycomb Filter	KAS-CL36L-540T-R1D	25W	36V	600mA	90	2700K	20°	3925lm	3472lm	ON-OFF
							24°	3925lm	3730lm	TRIAC
							36°	3925lm	3696lm	1-10V
							50°	3925lm	3491lm	DALI
	25W	36V	600mA	90	3000K	20°	4311lm	3929lm	ON-OFF	
						24°	4311lm	4097lm	TRIAC	
						36°	4311lm	4062lm	1-10V	
						50°	4311lm	3849lm	DALI	
	25W	36V	600mA	90	4000K	20°	4419lm	4041lm	ON-OFF	
						24°	4419lm	3895lm	TRIAC	
						36°	4419lm	3868lm	1-10V	
						50°	4419lm	3964lm	DALI	

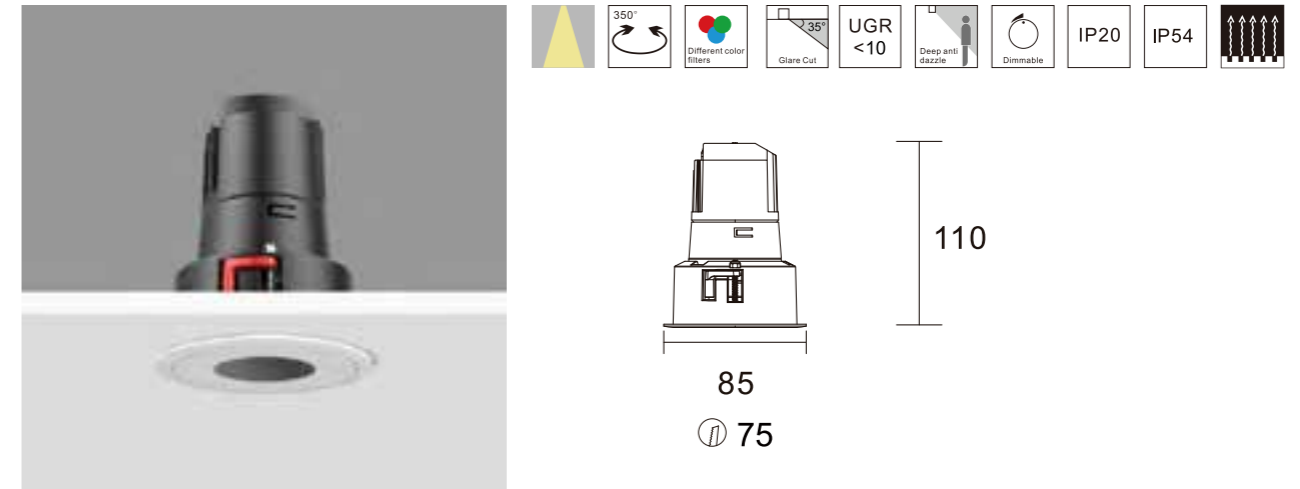


# K-CL36-3F-R1R



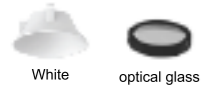
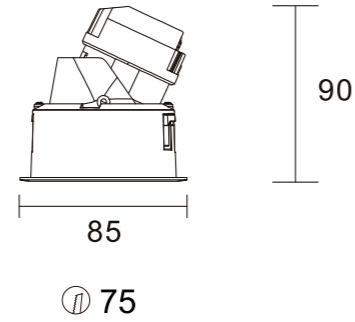
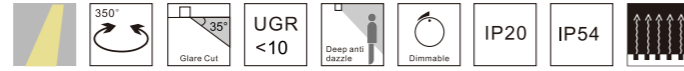
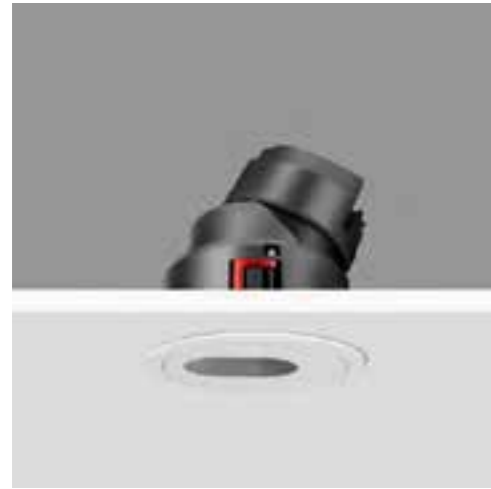
Model	Power	LED voltage	LED Current	CRI	CCT	Beam Angle	LED Output	System output	Dimming Type
K-CL36-305F-R1R	5W	36V	120mA	90	2700K	11°	445lm	254lm	ON-OFF TRIAC 1-10V DALI
						15°	445lm	235lm	
						18°	445lm	265lm	
						24°	445lm	347lm	
						36°	445lm	325lm	
	5W	36V	120mA	90	3000K	11°	462lm	264lm	ON-OFF TRIAC 1-10V DALI
						15°	462lm	245lm	
						18°	462lm	276lm	
						24°	462lm	361lm	
						36°	462lm	338lm	
	5W	36V	120mA	90	4000K	11°	484lm	276lm	ON-OFF TRIAC 1-10V DALI
						15°	484lm	256lm	
						18°	484lm	289lm	
						24°	484lm	378lm	
						36°	484lm	354lm	
K-CL36-308F-R1R	8W	36V	200mA	90	2700K	11°	741lm	331lm	ON-OFF TRIAC 1-10V DALI
						15°	741lm	295lm	
						18°	741lm	328lm	
						24°	741lm	440lm	
						36°	741lm	409lm	
	8W	36V	200mA	90	3000K	11°	770lm	344lm	ON-OFF TRIAC 1-10V DALI
						15°	770lm	307lm	
						18°	770lm	341lm	
						24°	770lm	458lm	
						36°	770lm	426lm	
8W	36V	200mA	90	4000K	11°	806lm	360lm	ON-OFF TRIAC 1-10V DALI	
					15°	806lm	321lm		
					18°	806lm	356lm		
					24°	806lm	479lm		
					36°	806lm	445lm		

# K-CL36-3F-R1R



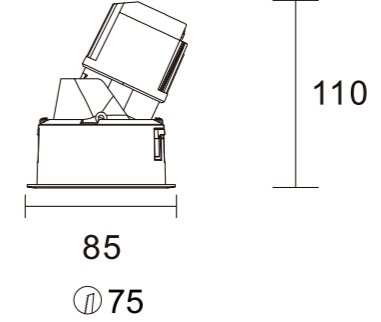
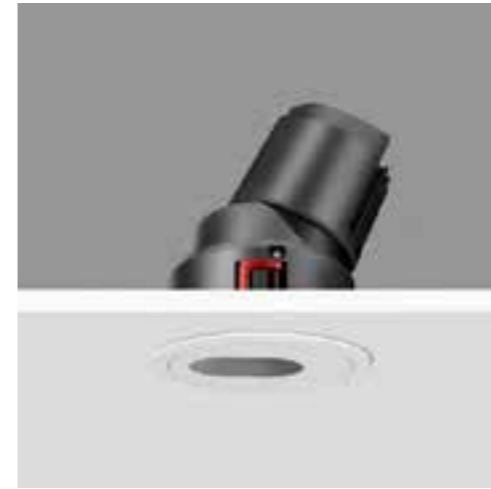
Model	Power	LED voltage	LED Current	CRI	CCT	Beam Angle	LED Output	System output	Dimming Type
K-CL36-310F-R1R	10W	36V	250mA	90	2700K	11°	927lm	363lm	ON-OFF TRIAC 1-10V DALI
						15°	927lm	362lm	
						18°	927lm	372lm	
						24°	927lm	509lm	
						36°	927lm	468lm	
	10W	36V	250mA	90	3000K	11°	927lm	516lm	ON-OFF TRIAC 1-10V DALI
						15°	927lm	378lm	
						18°	927lm	377lm	
						24°	927lm	387lm	
						36°	927lm	529lm	
	10W	36V	250mA	90	4000K	11°	927lm	487lm	ON-OFF TRIAC 1-10V DALI
						15°	927lm	537lm	
						18°	927lm	395lm	
						24°	927lm	394lm	
						36°	927lm	405lm	
K-CL36-312F-R1R	12W	36V	300mA	90	2700K	11°	1008lm	395lm	ON-OFF TRIAC 1-10V DALI
						15°	1008lm	394lm	
						18°	1008lm	405lm	
						24°	1008lm	553lm	
						36°	1008lm	509lm	
	12W	36V	300mA	90	3000K	11°	1008lm	562lm	ON-OFF TRIAC 1-10V DALI
						15°	1008lm	247lm	
						18°	1008lm	240lm	
						24°	1008lm	336lm	
						36°	1008lm	273lm	
12W	36V	300mA	90	4000K	11°	1008lm	303lm	ON-OFF TRIAC 1-10V DALI	
					15°	1008lm	412lm		
					18°	1008lm	401lm		
					24°	1008lm	560lm		
					36°	1008lm	455lm		
12W	36V	300mA	90	4000K	11°	1008lm	505lm	ON-OFF TRIAC 1-10V DALI	
					15°	1008lm	515lm		
					18°	1008lm	501lm		
					24°	1008lm	700lm		
					36°	1008lm	568lm		

# K-CL36-3T-R1E



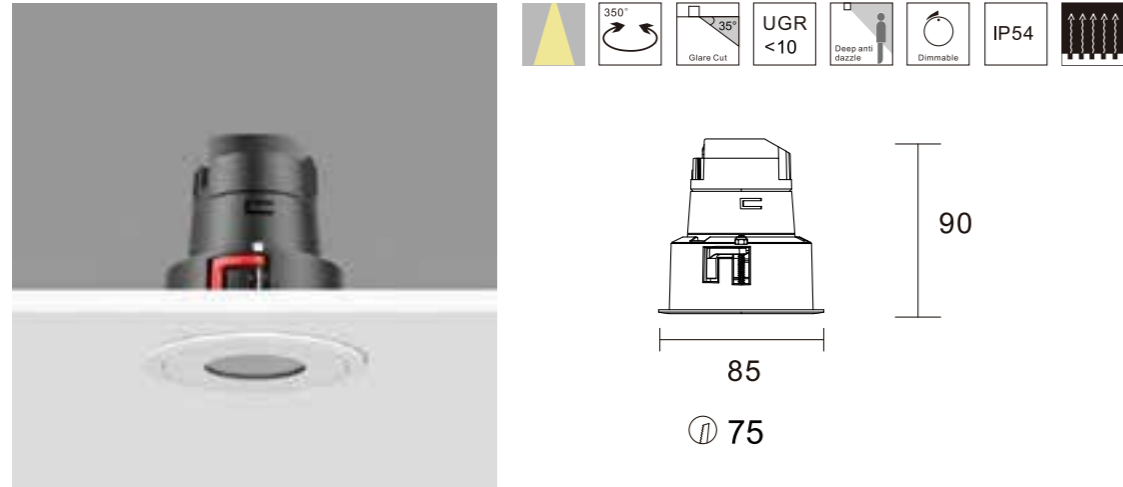
Model	Power	LED voltage	LED Current	CRI	CCT	Beam Angle	LED Output	System output	Dimming Type
K-CL36-305T-R1E	5W	36V	120mA	90	2700K	11°	445lm	254lm	ON-OFF TRIAC 1-10V DALI
						15°	445lm	235lm	
						18°	445lm	265lm	
						24°	445lm	347lm	
						36°	445lm	325lm	
	5W	36V	120mA	90	3000K	11°	462lm	264lm	ON-OFF TRIAC 1-10V DALI
						15°	462lm	245lm	
						18°	462lm	276lm	
						24°	462lm	361lm	
						36°	462lm	338lm	
	5W	36V	120mA	90	4000K	11°	484lm	276lm	ON-OFF TRIAC 1-10V DALI
						15°	484lm	256lm	
						18°	484lm	289lm	
						24°	484lm	378lm	
						36°	484lm	354lm	
K-CL36-308T-R1E	8W	36V	200mA	90	2700K	11°	741lm	331lm	ON-OFF TRIAC 1-10V DALI
						15°	741lm	295lm	
						18°	741lm	328lm	
						24°	741lm	440lm	
						36°	741lm	409lm	
	8W	36V	200mA	90	3000K	11°	770lm	344lm	ON-OFF TRIAC 1-10V DALI
						15°	770lm	307lm	
						18°	770lm	341lm	
						24°	770lm	458lm	
						36°	770lm	426lm	
8W	36V	200mA	90	4000K	11°	806lm	360lm	ON-OFF TRIAC 1-10V DALI	
					15°	806lm	321lm		
					18°	806lm	356lm		
					24°	806lm	479lm		
					36°	806lm	445lm		

# K-CL36-3T-R1E



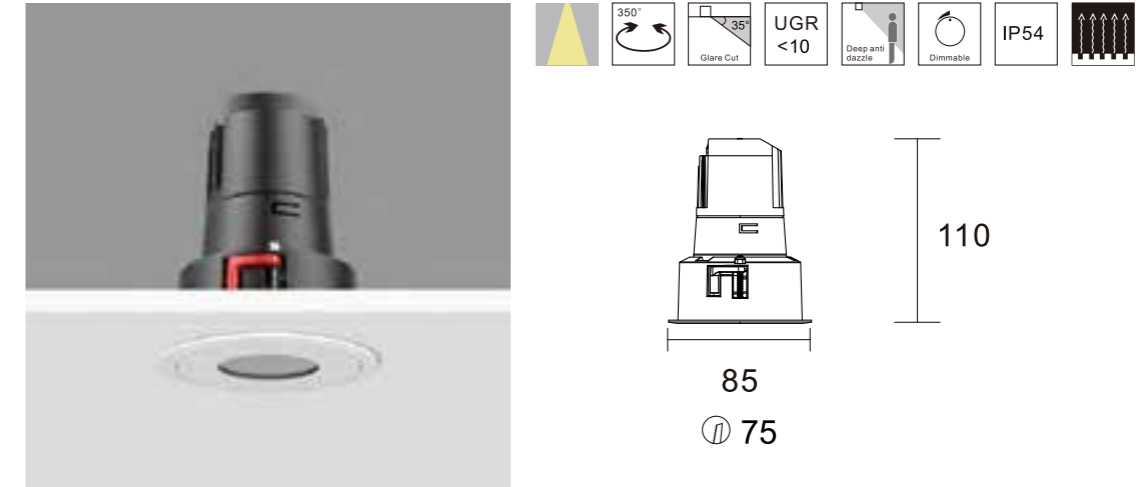
Model	Power	LED voltage	LED Current	CRI	CCT	Beam Angle	LED Output	System output	Dimming Type
K-CL36-310T-R1E	10W	36V	250mA	90	2700K	11°	927lm	363lm	ON-OFF TRIAC 1-10V DALI
						15°	927lm	362lm	
						18°	927lm	372lm	
						24°	927lm	509lm	
						36°	927lm	468lm	
	10W	36V	250mA	90	3000K	11°	963lm	378lm	ON-OFF TRIAC 1-10V DALI
						15°	963lm	377lm	
						18°	963lm	387lm	
						24°	963lm	529lm	
						36°	963lm	487lm	
	10W	36V	250mA	90	4000K	11°	1008lm	395lm	ON-OFF TRIAC 1-10V DALI
						15°	1008lm	394lm	
						18°	1008lm	405lm	
						24°	1008lm	553lm	
						36°	1008lm	509lm	
K-CL36-312T-R1E	12W	36V	300mA	90	2700K	15°	1112lm	247lm	ON-OFF TRIAC 1-10V DALI
						18°	1112lm	240lm	
						24°	1112lm	336lm	
						36°	1112lm	273lm	
						50°	1112lm	303lm	
	12W	36V	300mA	90	3000K	15°	1155lm	412lm	ON-OFF TRIAC 1-10V DALI
						18°	1155lm	401lm	
						24°	1155lm	560lm	
						36°	1155lm	455lm	
						50°	1155lm	505lm	
12W	36V	300mA	90	4000K	15°	1209lm	515lm	ON-OFF TRIAC 1-10V DALI	
					18°	1209lm	501lm		
					24°	1209lm	700lm		
					36°	1209lm	568lm		
					50°	1209lm	631lm		

# K-CL36-3F-R1P



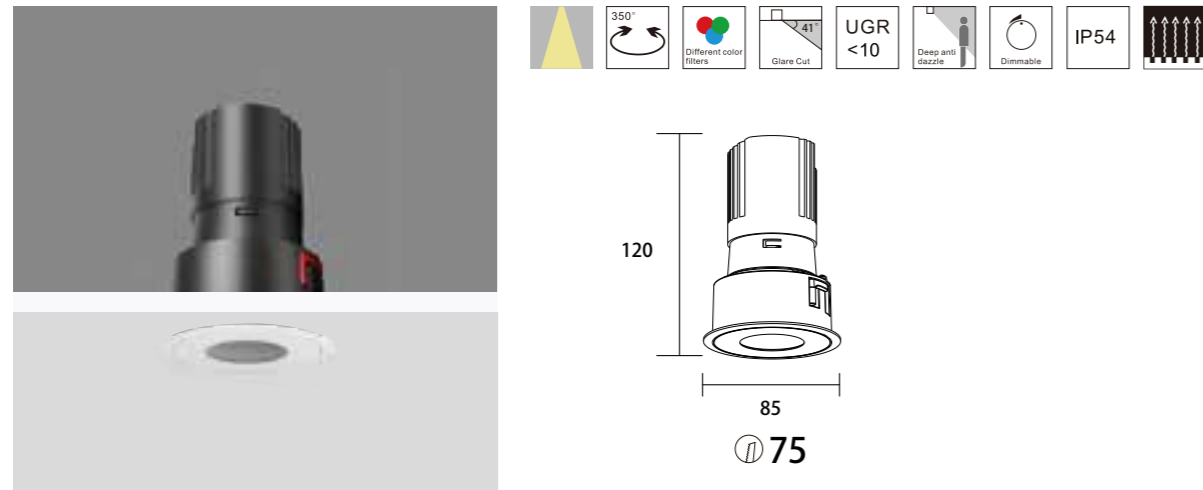
Model	Power	LED voltage	LED Current	CRI	CCT	Beam Angle	LED Output	System output	Dimming Type
K-CL36-305F-R1P	5W	36V	120mA	90	2700K	11°	445lm	254lm	ON-OFF TRIAC 1-10V DALI
						15°	445lm	235lm	
						18°	445m	265lm	
						24°	445lm	347lm	
						36°	445lm	325lm	
	50°	445lm	341lm						
	5W	36V	120mA	90	3000K	11°	462lm	264lm	ON-OFF TRIAC 1-10V DALI
						15°	462lm	245lm	
						18°	462lm	276lm	
						24°	462lm	361lm	
						36°	462lm	338lm	
	50°	462lm	355lm						
	5W	36V	120mA	90	4000K	11°	484lm	276lm	ON-OFF TRIAC 1-10V DALI
						15°	484lm	256lm	
						18°	484lm	289lm	
24°						484lm	378lm		
36°						484lm	354lm		
50°	484lm	371lm							
K-CL36-308F-R1P	8W	36V	200mA	90	2700K	11°	741lm	331lm	ON-OFF TRIAC 1-10V DALI
						15°	741lm	295lm	
						18°	741lm	328lm	
						24°	741lm	440lm	
						36°	741lm	409lm	
50°	741lm	427lm							
8W	36V	200mA	90	3000K	11°	770lm	344lm	ON-OFF TRIAC 1-10V DALI	
					15°	770lm	307lm		
					18°	770lm	341lm		
					24°	770lm	458lm		
					36°	770lm	426lm		
50°	770lm	444lm							
8W	36V	200mA	90	4000K	11°	806lm	360lm	ON-OFF TRIAC 1-10V DALI	
					15°	806lm	321lm		
					18°	806lm	356lm		
					24°	806lm	479lm		
					36°	806lm	445lm		
50°	806lm	464lm							

# K-CL36-3F-R1P



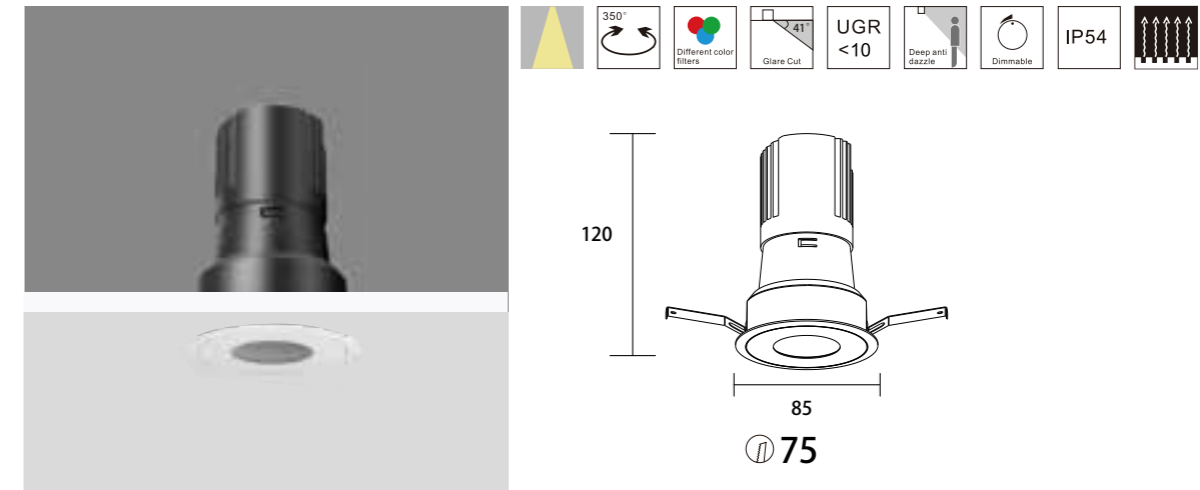
Model	Power	LED voltage	LED Current	CRI	CCT	Beam Angle	LED Output	System output	Dimming Type
K-CL36-310F-R1P	10W	36V	250mA	90	2700K	11°	927lm	363lm	ON-OFF TRIAC 1-10V DALI
						15°	927lm	362lm	
						18°	927lm	372lm	
						24°	927lm	509lm	
						36°	927lm	468lm	
	50°	927lm	516lm						
	10W	36V	250mA	90	3000K	11°	963lm	378lm	ON-OFF TRIAC 1-10V DALI
						15°	963lm	377lm	
						18°	963lm	387lm	
						24°	963lm	529lm	
						36°	963lm	487lm	
	50°	963lm	537lm						
	10W	36V	250mA	90	4000K	11°	1008lm	395lm	ON-OFF TRIAC 1-10V DALI
						15°	1008lm	394lm	
						18°	1008lm	405lm	
24°						1008lm	553lm		
36°						1008lm	509lm		
50°	1008lm	562lm							
K-CL36-312F-R1P	12W	36V	300mA	90	2700K	15°	1112lm	247lm	ON-OFF TRIAC 1-10V DALI
						18°	1112lm	240lm	
						24°	1112lm	336lm	
						36°	1112lm	273lm	
						50°	1112lm	303lm	
12W	36V	300mA	90	3000K	15°	1155lm	412lm	ON-OFF TRIAC 1-10V DALI	
					18°	1155lm	401lm		
					24°	1155lm	560lm		
					36°	1155lm	455lm		
					50°	1155lm	505lm		
12W	36V	300mA	90	4000K	15°	1209lm	515lm	ON-OFF TRIAC 1-10V DALI	
					18°	1209lm	501lm		
					24°	1209lm	700lm		
					36°	1209lm	568lm		
					50°	1209lm	631lm		

# K-CL36-3F-R1P



Model	Power	LED voltage	LED Current	CRI	CCT	Beam Angle	LED Output	System output	Dimming Type
K-CL36-315F-R1P	15W	36V	350mA	90	2700K	15°	1246lm	519lm	ON-OFF
						24°	1246lm	428lm	TRIAC
						36°	1246lm	510lm	1-10V
						50°	1246lm	453lm	DALI
K-CL36-315T-R1P	15W	36V	350mA	90	3000K	15°	1342lm	560lm	ON-OFF
						24°	1342lm	462lm	TRIAC
						36°	1342lm	550lm	1-10V
						50°	1342lm	488lm	DALI
K-CL36-315T-R1P	15W	36V	350mA	90	4000K	15°	1426lm	595lm	ON-OFF
						24°	1426lm	490lm	TRIAC
						36°	1426lm	584lm	1-10V
						50°	1426lm	518lm	DALI

# K-CL36-3F-R1R



Model	Power	LED voltage	LED Current	CRI	CCT	Beam Angle	LED Output	System output	Dimming Type
K-CL36-315F-R2R	15W	36V	350mA	90	2700K	15°	1246lm	519lm	ON-OFF
						24°	1246lm	428lm	TRIAC
						36°	1246lm	510lm	1-10V
						50°	1246lm	453lm	DALI
K-CL36-315T-R2R	15W	36V	350mA	90	3000K	15°	1342lm	560lm	ON-OFF
						24°	1342lm	462lm	TRIAC
						36°	1342lm	550lm	1-10V
						50°	1342lm	488lm	DALI
K-CL36-315T-R2R	15W	36V	350mA	90	4000K	15°	1426lm	595lm	ON-OFF
						24°	1426lm	490lm	TRIAC
						36°	1426lm	584lm	1-10V
						50°	1426lm	518lm	DALI

# CL36 Series



# Galaxy Series Wall Washer

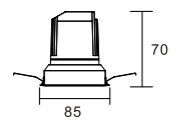


- Possesses high efficiency
- Outstanding color rendition effect, meet the lighting demand of upscale places. 2700K/3000K/4000K, Ra>90
- Die-casting aluminium heat sink, conducts the heat from the chip effectively, and ensure the lamp performance and long lifespan.

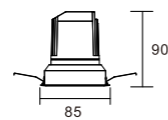
# CL36 Series



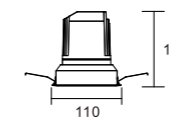
**K-CL36-3W-R2S**  
Power: 5W/8W  
Cutout: 75mm  
Height: 70mm



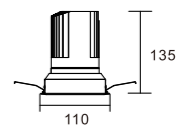
**K-CL36-3W-R2S**  
Power: 10W/12W  
Cutout: 75mm  
Height: 90mm



**K-CL36-4W-R2S**  
Power: 20W  
Cutout: 100mm  
Height: 120mm





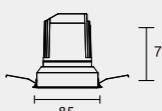
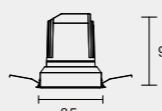

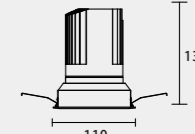


**K-CL36-4W-R2S**  
Power: 25W/30W  
Cutout: 100mm  
Height: 135mm

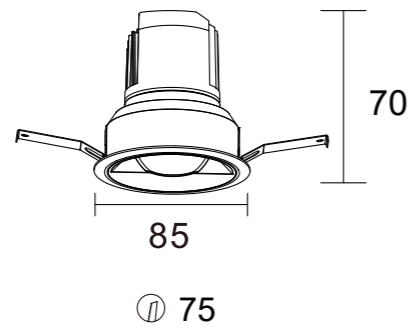
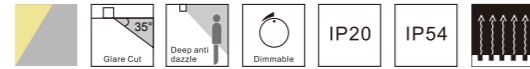




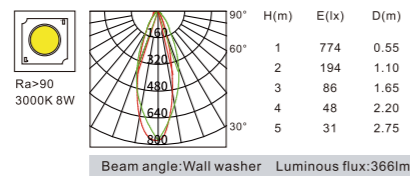
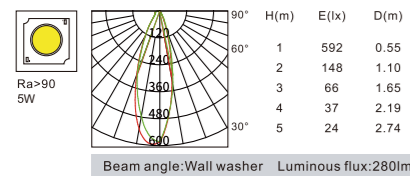
# CL36 Series

Model	K-CL36-3W-R25	K-CL36-3W-R25	K-CL36-4W-R25	K-CL36-4W-R25
Product Photo				
Dimension(mm)				
Cutout (mm)	75	75	100	100
Wattage	5W/8W	10W/12W	20W/25W	30W
CCT	2700K/3000K/4000K	2700K/3000K/4000K	2700K/3000K/3500K/4000K	2700K/3000K/3500K/4000K
CRI	>90	>90	>90	>90
Beam Angle	Wall Washer	Wall Washer	Wall Washer	Wall Washer
Lumen	280-360LM	420-540LM	1100-1200LM	1330LM
IP	IP20/IP54	IP20/IP54	IP20/IP65	IP20/IP65
Dimming	TRI AC/ 1-10V/DALI	TRIAC/ 1-10V/DALI	TRI AC/ 1-10V/DALI	TRI AC/ 1-10V/DALI
Colour	White+Irongray	White+Irongray	White+Irongray	White+Iron gray

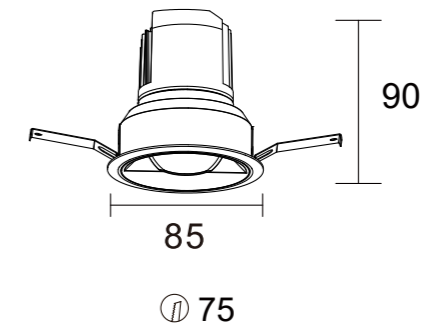
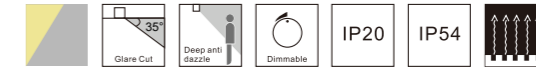
# K-CL36-3W-R2S



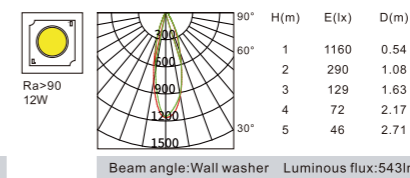
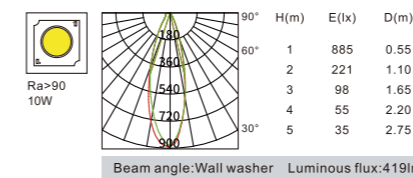
Model	Power	LED voltage	LED Current	CRI	CCT	Beam Angle	LED Output	System output	Dimming Type
K-CL36-305W-R2S	5W	36V	120mA	90	2700K	Wall Washer	445lm	269lm	ON-OFF TRIAC 1-10V DALI
	5W	36V	120mA	90	3000K	Wall Washer	462lm	280lm	ON-OFF TRIAC 1-10V DALI
	5W	36V	120mA	90	4000K	Wall Washer	484lm	293lm	ON-OFF TRIAC 1-10V DALI
K-CL36-308W-R2S	8W	36V	200mA	90	2700K	Wall Washer	741lm	352lm	ON-OFF TRIAC 1-10V DALI
	8W	36V	200mA	90	3000K	Wall Washer	770lm	366lm	ON-OFF TRIAC 1-10V DALI
	8W	36V	200mA	90	4000K	Wall Washer	806lm	383lm	ON-OFF TRIAC 1-10V DALI



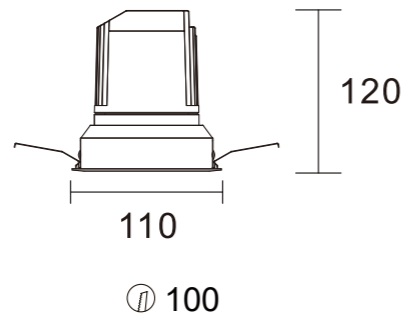
# K-CL36-3W-R2S



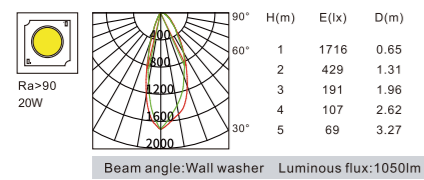
Model	Power	LED voltage	LED Current	CRI	CCT	Beam Angle	LED Output	System output	Dimming Type
K-CL36-312W-R2S	10W	36V	250mA	90	2700K	Wall Washer	927lm	403lm	ON-OFF TRIAC 1-10V DALI
	10W	36V	250mA	90	3000K	Wall Washer	963lm	419lm	ON-OFF TRIAC 1-10V DALI
	10W	36V	250mA	90	4000K	Wall Washer	1008lm	438lm	ON-OFF TRIAC 1-10V DALI
K-CL36-312W-R2S	12W	36V	300mA	90	2700K	Wall Washer	1112lm	522lm	ON-OFF TRIAC 1-10V DALI
	12W	36V	300mA	90	3000K	Wall Washer	1155lm	543lm	ON-OFF TRIAC 1-10V DALI
	12W	36V	300mA	90	4000K	Wall Washer	1209lm	568lm	ON-OFF TRIAC 1-10V DALI



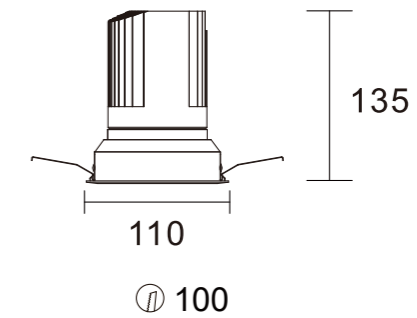
# K-CL36-4W-R2S



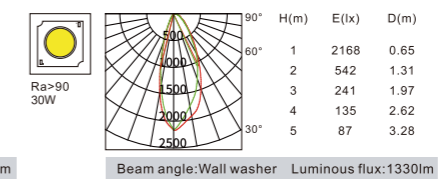
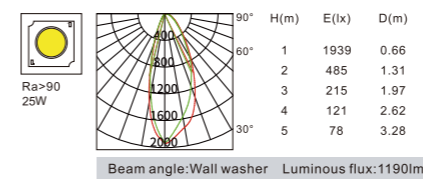
Model	Power	LED voltage	LED Current	CRI	CCT	Beam Angle	LED Output	System output	Dimming Type
K-CL36-420W-R2S	20W	36V	500mA	90	2700K	Wall washer	1854lm	1010lm	ON-OFF TRIAC 1-10V DALI
	20W	36V	500mA	90	3000K	Wall washer	1926lm	1050lm	ON-OFF TRIAC 1-10V DALI
	20W	36V	500mA	90	4000K	Wall washer	2016lm	1099lm	ON-OFF TRIAC 1-10V DALI



# K-CL36-4W-R2S



Model	Power	LED voltage	LED Current	CRI	CCT	Beam Angle	LED Output	System output	Dimming Type
K-CL36-425W-R2S	25W	36V	600mA	90	2700K	Wall washer	2225lm	1145lm	ON-OFF TRIAC 1-10V DALI
	25W	36V	600mA	90	3000K	Wall washer	2311lm	1190lm	ON-OFF TRIAC 1-10V DALI
	25W	36V	600mA	90	4000K	Wall washer	2419lm	1245lm	ON-OFF TRIAC 1-10V DALI
K-CL36-430W-R2S	30W	36V	700mA	90	2700K	Wall Washer	2595lm	1280lm	ON-OFF TRIAC 1-10V DALI
	30W	36V	700mA	90	3000K	Wall Washer	2696lm	1330lm	ON-OFF TRIAC 1-10V DALI
	30W	36V	700mA	90	4000K	Wall Washer	2822lm	1392lm	ON-OFF TRIAC 1-10V DALI



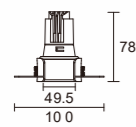


- Dark light technology with chip deeply hidden, well-designed dark light reflector with  $UGR \leq 19$ . Comfortable and no glare.
- Tens of reflectors in option, to satisfy designers requirements to different area and style.
- Precise distribution and even transition. Less scattering makes vision more comfortable.
- Galaxy series use a composable, alternative, modular, simple and elegant lamp body.

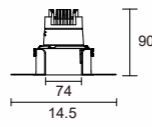
# CL36 Series



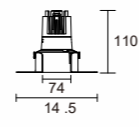
**K-CL36-2F-R3D**  
 Power: 3W/5W  
 Cutout: 55mm  
 Height: 78mm



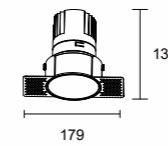
**K-CL36-3F-R3D**  
 Power: 5W/8W  
 Cutout: 83mm  
 Height: 90mm



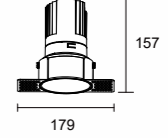
**K-CL36-3F-R3D**  
 Power: 10W/12W  
 Cutout: 83mm  
 Height: 110mm



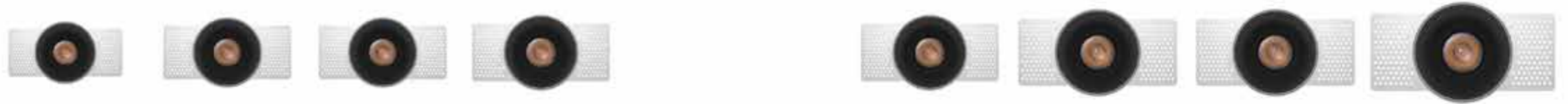
**K-CL36-4F-R3D**  
 Power: 20W  
 Cutout: 100mm  
 Height: 137mm



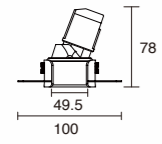
**K-CL36-4F-R3D**  
 Power: 25W/30W  
 Cutout: 100mm  
 Height: 157mm



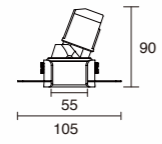
# CL36 Series



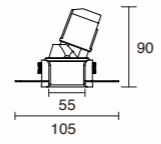
**K-CL36-2T-R3D**  
 Power: 3W/5W  
 Cutout: 55mm  
 Height: 78mm



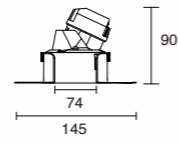
**K-CL36-55T-R3D**  
 Power: 5W  
 Cutout: 55mm  
 Height: 90mm



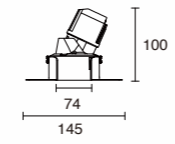
**K-CL36-55T-R3D**  
 Power: 5W  
 Cutout: 55mm  
 Height: 90mm



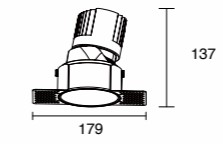
**K-CL36-3T-R3D**  
 Power: 5W/8W  
 Cutout: 83mm  
 Height: 90mm



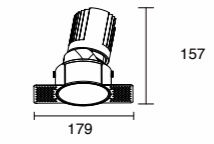
**K-CL36-3T-R3D**  
 Power: 10W/12W  
 Cutout: 83mm  
 Height: 110mm



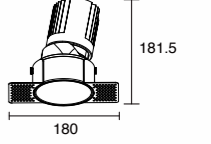
**K-CL36-4T-R3D**  
 Power: 20W  
 Cutout: 100mm  
 Height: 137mm



**K-CL36-4T-R3D**  
 Power: 25W/30W  
 Cutout: 100mm  
 Height: 157mm



**K-CL36-5T-R3D**  
 Power: 25W/30W  
 Cutout: 123mm  
 Height: 157mm



# CL36 Series

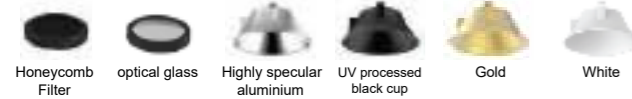
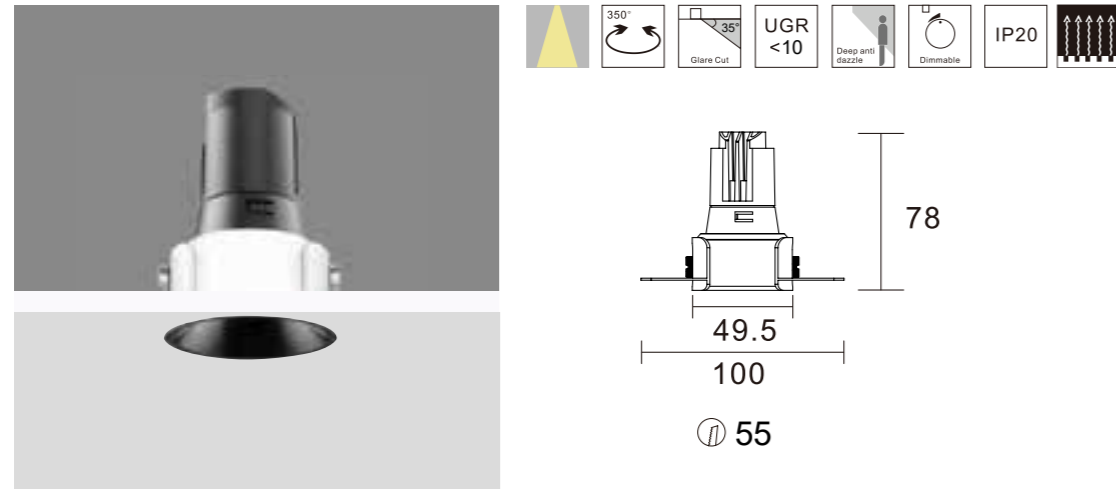
Model	K-CL36-2F-R3D	K-CL36-3F-R3D	K-CL36-3F-R3D	K-CL36-3F-R3D	K-CL36-4F-R3D		K-CL36-4F-R3D	K-CL36-3F-R3R	K-CL36-3F-R3R	K-CL36-3F-R3P	K-CL36-3F-R3P
Product Photo											
Dimension(mm)											
Cutout(mm)	55	83	83	83	110		110	83	83	83	83
Wattage	3W/5W	5W/8W	10W/12W	15W	20W		25W/30W	5W/8W	10W/12W	5W/8W	10W/12W
CCT	2700K 3000K 3500K 4000K	2700K 3000K 4000K	2700K 3000K 4000K	2700K 3000K 3500K 4000K	2700K 3000K 3500K 4000K		2700K 3000K 3500K 4000K	2700K 3000K 4000K	2700K 3000K 4000K	2700K 3000K 4000K	2700K 3000K 4000K
CRI	>90	>90	>90	>90	>90		>90	>90	>90	>90	>90
Beam Angle	15°/18°/24°/36°	11°/15°/18°/24°/36°/50°	11°/15°/18°/24°/36°/50°	15°/24°/36°/50°	18°/24°/36°/50°		18°/24°/36°/50°	11°/15°/18°/24°/36°/50°	11°/15°/18°/24°/36°/50°	11°/15°/18°/24°/36°/50°	11°/15°/18°/24°/36°/50°
Lumen	150-200LM	360-460LM	530-690LM	597-939LM	1600-1800LM		2000LM	300-400LM	450-560LM	260-350LM	390-480LM
IP	IP20	IP20/IP54	IP20/IP54	IP54	IP20/IP65		IP20/IP65	IP20/IP54	IP20/IP54	IP20/IP54	IP20/IP54
Dimming		TRIAC/1-10V/DALI	TRIAC/1-10V/DALI	TRIAC/1-10V/DALI	TRIAC/1-10V/DALI		TRIAC/1-10V/DALI	TRIAC/1-10V/DALI	TRIAC/1-10V/DALI	TRIAC/1-10V/DALI	TRIAC/1-10V/DALI
Accessory	Honeycomb Filter	Honeycomb Filter Stripped Glass Cross-grille Red Filter Green Filter Blue Filter	Honeycomb Filter Stripped Glass Cross-grille Red Filter Green Filter Blue Filter	Honeycomb Filter Stripped Glass Cross-grille Red Filter Green Filter Blue Filter	Honeycomb Filter		Honeycomb Filter	Honeycomb Filter Stripped Glass Cross-grille Red Filter Green Filter Blue Filter	Honeycomb Filter Stripped Glass Cross-grille Red Filter Green Filter Blue Filter		
Reflector Colour	UV processed black cup Highly specular aluminium White Gold	UV processed black cup Highly specular aluminium White Gold	UV processed black cup Highly specular aluminium White Gold	UV processed black cup Highly specular aluminium White Gold	UV processed black cup Highly specular aluminium White Gold		UV processed black cup Highly specular aluminium White Gold				
Colour	White+Iron gray	White+Iron gray	White+Iron gray	White+Iron gray	White+Iron gray		White+Iron gray	White+Iron gray	White+Iron gray	White+Iron gray	White+Iron gray

# CL36 Series

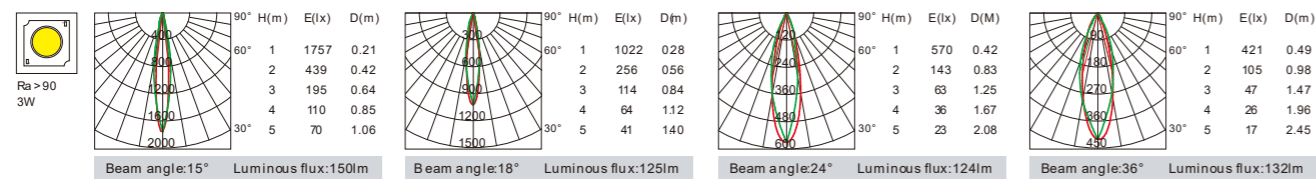
Model	K-CL36-2T-R3D	K-CL36-3T-R3D	K-CL36-3T-R3D	K-CL36-3T-R3D		K-CL36-4T-R3D	K-CL36-4T-R3D	K-CL36-5T-R3R	K-CL36-3T-R3R	K-CL36-3T-R3E
Product Photo										
Dimension(mm)										
Cutout(mm)	55	83	83	83		110	110	123	83	83
Wattage	3W/5W	5W/8W	10W/12W	15W		20W	25W/30W	25W/30W	15W	15W
CCT	2700K 3000K 3500K 4000K	2700K 3000K 4000K	2700K 3000K 4000K	2700K 3000K 4000K		2700K 3000K 3500K 4000K	2700K 3000K 3500K 4000K	2700K 3000K 3500K 4000K	2700K 3000K 4000K	2700K 3000K 4000K
CRI	>90	>90	>90	>90		>90	>90	>90	>90	>90
Beam Angle	15°/18°/24°/36°	11°/15°/18°/24°/36°/50°	11°/15°/18°/24°/36°/50°	15°/24°/36°/50°		18°/24°/36°/50°	18°/24°/36°/50°	18°/24°/36°/50°	15°/24°/36°/50°	15°/24°/36°/50°
Lumen	150-200LM	360-460LM	530-690LM	697-939LM		1600-1800LM	1472LM-2114LM	1472LM-2114LM	428-595LM	697-939LM
IP	IP 20	IP20/IP54	IP20/IP54	IP20		IP20/IP65	IP20/IP65	IP20/IP65	IP20	IP20
Dimming		TRIAC/1-10V/DALI	TRIAC/1-10V/DALI	TRIAC/1-10V/DALI		TRIAC/1-10V/DALI	TRIAC/1-10V/DALI	TRIAC/1-10V/DALI	TRIAC/1-10V/DALI	TRIAC/1-10V/DALI
Accessory	Honeycomb Filter	Honeycomb Filter Stripped Glass Cross-grille Red Filter Green Filter Blue Filter	Honeycomb Filter Stripped Glass Cross-grille Red Filter Green Filter Blue Filter	Honeycomb Filter Stripped Glass Cross-grille Red Filter Green Filter Blue Filter		Honeycomb Filter	Honeycomb Filter	Honeycomb Filter	Honeycomb Filter Stripped Glass Cross-grille Red Filter Green Filter Blue Filter	Honeycomb Filter Stripped Glass Cross-grille Red Filter Green Filter Blue Filter
Reflector Colour	UV processed black cup Highly specular aluminium White Gold	UV processed black cup Highly specular aluminium White Gold	UV processed black cup Highly specular aluminium White Gold	UV processed black cup Highly specular aluminium White Gold		UV processed black cup Highly specular aluminium White Gold	UV processed black cup Highly specular aluminium White Gold	UV processed black cup Highly specular aluminium White Gold	White	White+Iron gray
Colour	White+Iron gray	White+Iron gray	White+Iron gray	White+Iron gray		White+Iron gray	White+Iron gray	White+Iron gray	White+Iron gray	White+Iron gray



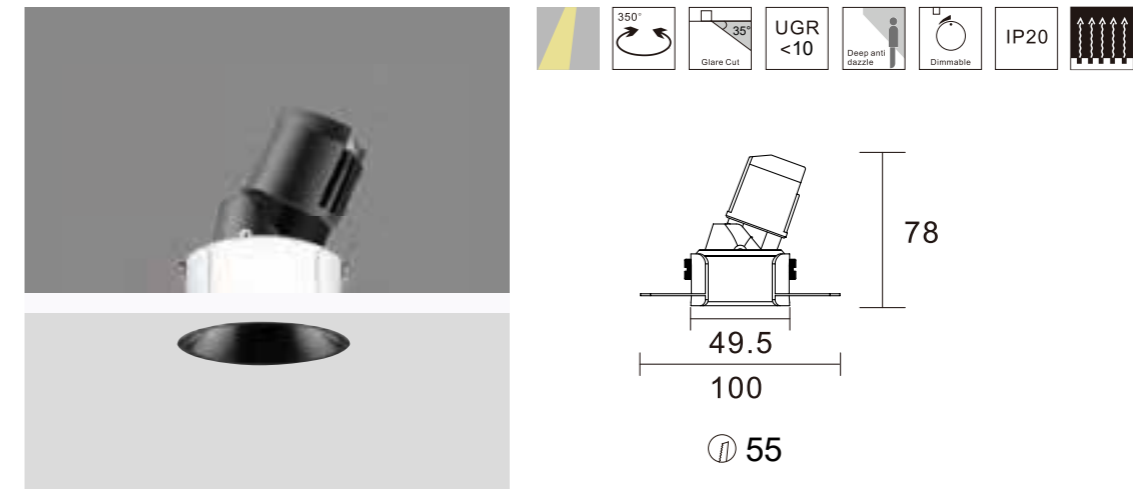
# K-CL36-2F-R3D



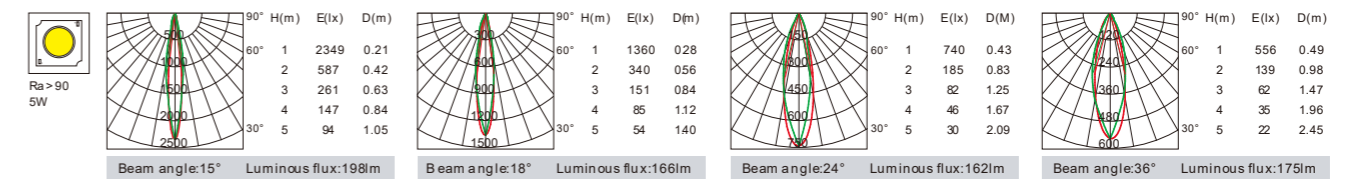
Model	Power	LED voltage	LED Current	CRI	CCT	Beam Angle	LED Output	System output	Dimming Type
K-CL36-203F-R3D	3W	3V	700mA	90	2700K	15°	198lm	139lm	ON-OFF
						18°	198lm	116lm	TRIAC
						24°	198lm	115lm	1-10V
						36°	198lm	122lm	DALI
K-CL36-203T-R3D	3W	3V	700mA	90	3000K	15°	213lm	150lm	ON-OFF
						18°	213lm	125lm	TRIAC
						24°	213lm	124lm	1-10V
						36°	213lm	132lm	DALI
K-CL36-203F-R3D	3W	3V	700mA	90	4000K	15°	231lm	162lm	ON-OFF
						18°	231lm	135lm	TRIAC
						24°	231lm	134lm	1-10V
						36°	231lm	143lm	DALI



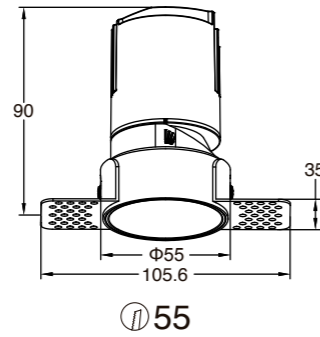
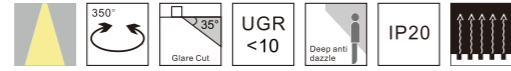
# K-CL36-2T-R3D



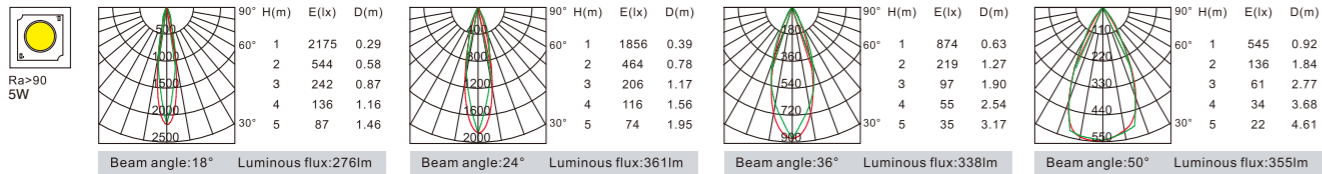
Model	Power	LED voltage	LED Current	CRI	CCT	Beam Angle	LED Output	System output	Dimming Type
K-CL36-205F-R3D	5W	3V	1000mA	90	2700K	15°	356lm	183lm	ON-OFF
						18°	356lm	153lm	TRIAC
						24°	356lm	151lm	1-10V
						36°	356lm	162lm	DALI
K-CL36-205T-R3D	5W	3V	1000mA	90	3000K	15°	384lm	198lm	ON-OFF
						18°	384lm	166lm	TRIAC
						24°	384lm	162lm	1-10V
						36°	384lm	175lm	DALI
K-CL36-205F-R3D	5W	3V	1000mA	90	4000K	15°	416lm	214lm	ON-OFF
						18°	416lm	179lm	TRIAC
						24°	416lm	175lm	1-10V
						36°	416lm	189lm	DALI



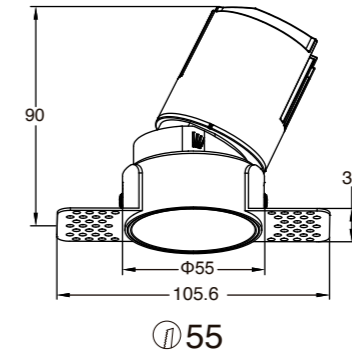
# K-CL36-55T-R3D



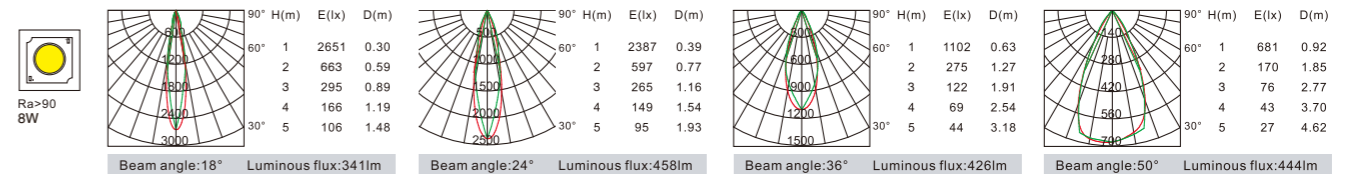
Model	Power	LED voltage	LED Current	CRI	CCT	Beam Angle	LED Output	System output	Dimming Type
K-CL36-5505T-R3D	5W	36V	120mA	90	2700K	18°	445lm	265lm	ON-OFF
						24°	445lm	347lm	TRIAC
						36°	445lm	325lm	1-10V
						50°	445lm	341lm	DALI
	5W	36V	120mA	90	3000K	18°	462lm	276lm	ON-OFF
						24°	462lm	361lm	TRIAC
						36°	462lm	338lm	1-10V
						50°	462lm	355lm	DALI
	5W	36V	120mA	90	4000K	18°	484lm	289lm	ON-OFF
						24°	484lm	378lm	TRIAC
						36°	484lm	354lm	1-10V
						50°	484lm	371lm	DALI



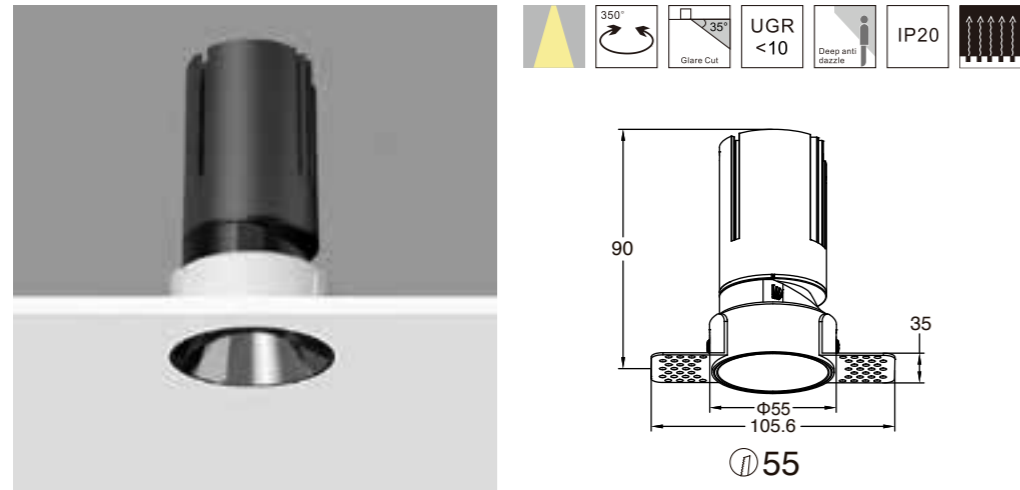
# K-CL36-55T-R3D



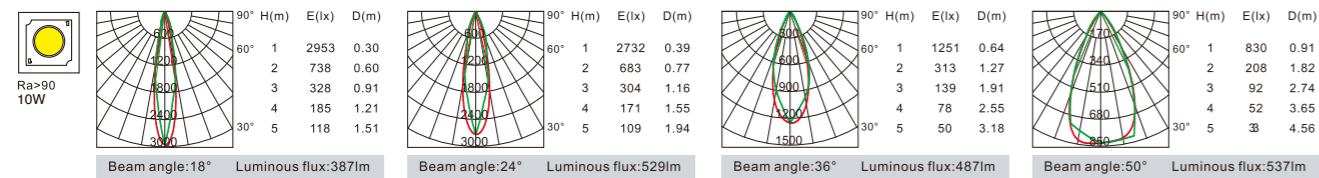
Model	Power	LED voltage	LED Current	CRI	CCT	Beam Angle	LED Output	System output	Dimming Type
K-CL36-5508T-R3D	8W	36V	200mA	90	2700K	18°	741lm	328lm	ON-OFF
						24°	741lm	440lm	TRIAC
						36°	741lm	409lm	1-10V
						50°	741lm	427lm	DALI
	8W	36V	200mA	90	3000K	18°	770lm	341lm	ON-OFF
						24°	770lm	358lm	TRIAC
						36°	770lm	426lm	1-10V
						50°	770lm	444lm	DALI
	8W	36V	200mA	90	4000K	18°	806lm	356lm	ON-OFF
						24°	806lm	479lm	TRIAC
						36°	806lm	445lm	1-10V
						50°	806lm	464lm	DALI



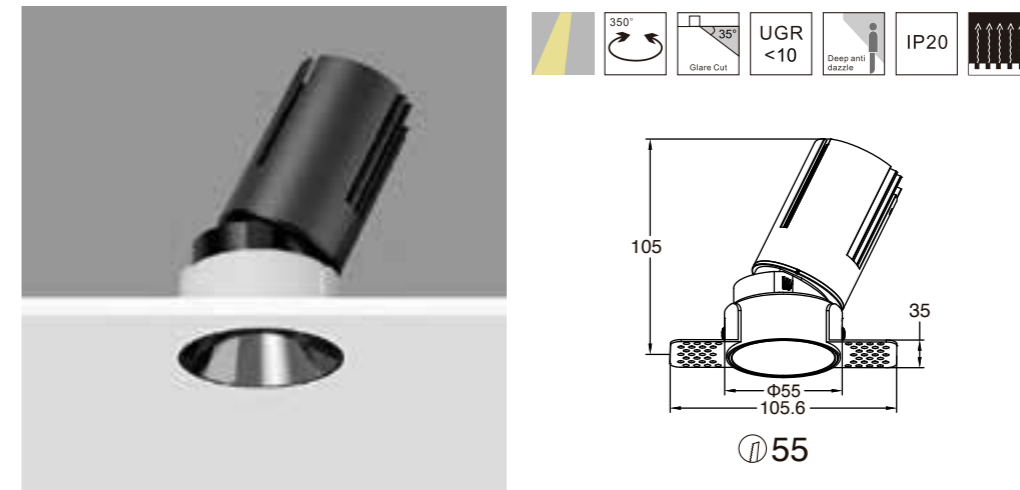
# K-CL36-55T-R3D



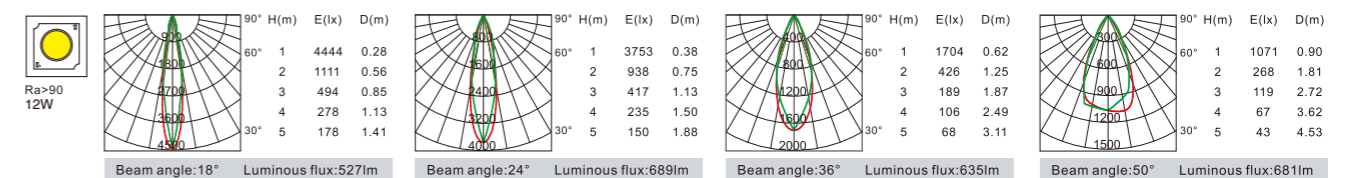
Model	Power	LED voltage	LED Current	CRI	CCT	Beam Angle	LED Output	System output	Dimming Type
K-CL36-5510T-R3D	10W	36V	250mA	90	2700K	18°	927lm	372lm	ON-OFF
						24°	927lm	509lm	TRIAC
						36°	927lm	468lm	1-10V
						50°	927lm	516lm	DALI
K-CL36-5510T-R3D	10W	36V	250mA	90	3000K	18°	963lm	387lm	ON-OFF
						24°	963lm	529m	TRIAC
						36°	963lm	487lm	1-10V
						50°	963lm	537lm	DALI
K-CL36-5510T-R3D	10W	36V	250mA	90	4000K	18°	1008lm	405lm	ON-OFF
						24°	1008lm	553lm	TRIAC
						36°	1008lm	509lm	1-10V
						50°	1008lm	562lm	DALI



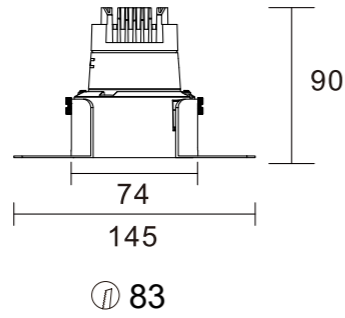
# K-CL36-55T-R3D



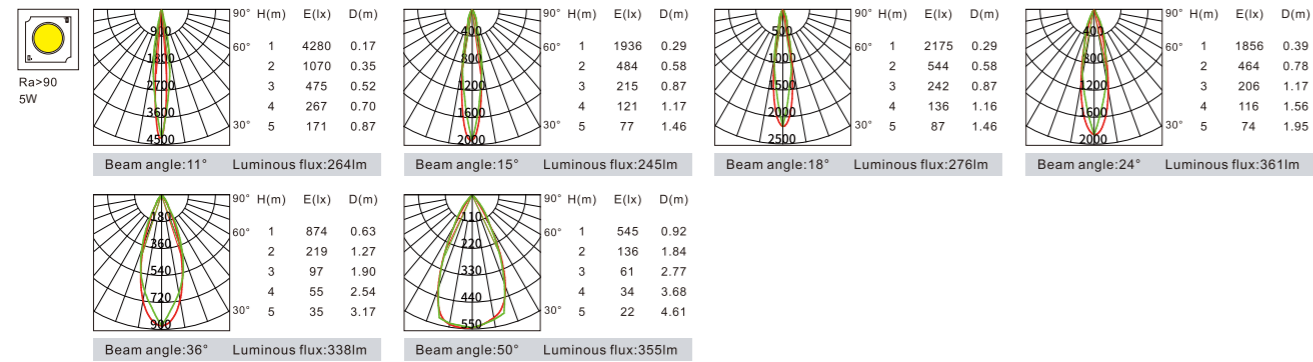
Model	Power	LED voltage	LED Current	CRI	CCT	Beam Angle	LED Output	System output	Dimming Type
K-CL36-5512T-R3D	12W	36V	300mA	90	2700K	18°	1112lm	507lm	ON-OFF
						24°	1112lm	663lm	TRIAC
						36°	1112lm	611lm	1-10V
						50°	1112lm	655lm	DALI
K-CL36-5512T-R3D	12W	36V	300mA	90	3000K	18°	1155lm	527lm	ON-OFF
						24°	1155lm	689lm	TRIAC
						36°	1155lm	635lm	1-10V
						50°	1155lm	681lm	DALI
K-CL36-5512T-R3D	12W	36V	300mA	90	4000K	18°	1209lm	551lm	ON-OFF
						24°	1209lm	721lm	TRIAC
						36°	1209lm	664lm	1-10V
						50°	1209lm	712lm	DALI



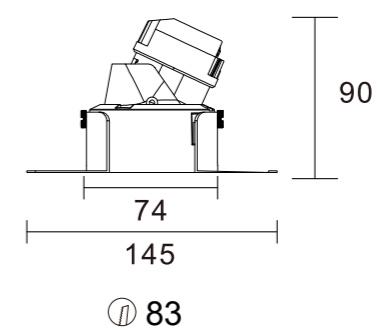
# K-CL36-3F-R3D



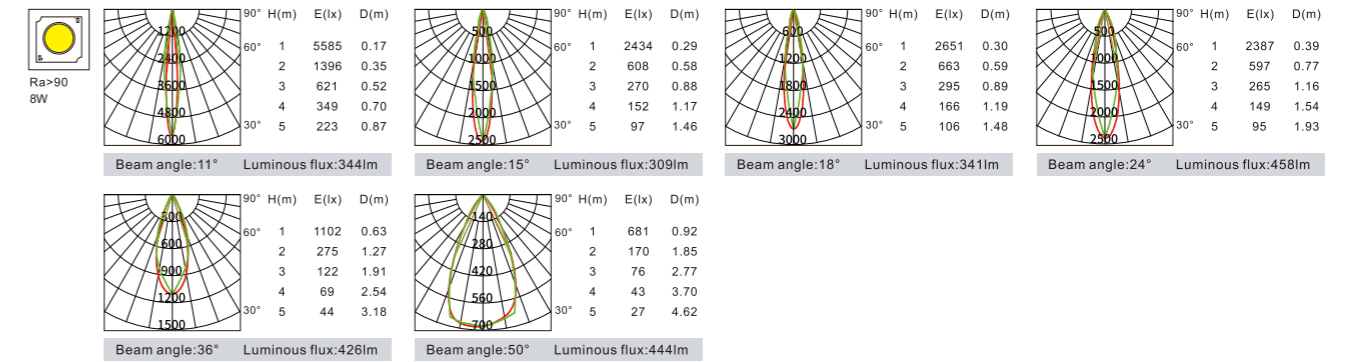
Model	Power	LED voltage	LED Current	CRI	CCT	Beam Angle	LED Output	System output	Dimming Type
K-CL36-305F-R3D	5W	36V	120mA	90	2700K	11°	445lm	254lm	ON-OFF TRIAC 1-10V DALI
						15°	445lm	235lm	
						18°	445lm	265lm	
						24°	445lm	347lm	
						36°	445lm	325lm	
K-CL36-305T-R3D	5W	36V	120mA	90	3000K	11°	462lm	264lm	ON-OFF TRIAC 1-10V DALI
						15°	462lm	245lm	
						18°	462lm	276lm	
						24°	462lm	361lm	
						36°	462lm	338lm	
K-CL36-305T-R3D	5W	36V	120mA	90	4000K	11°	484lm	276lm	ON-OFF TRIAC 1-10V DALI
						15°	484lm	256lm	
						18°	484lm	289lm	
						24°	484lm	378lm	
						36°	484lm	354lm	



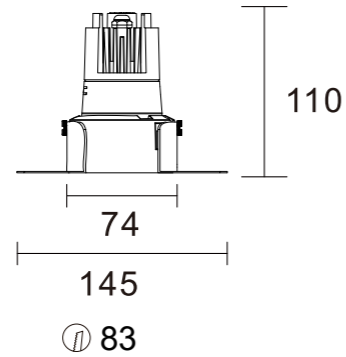
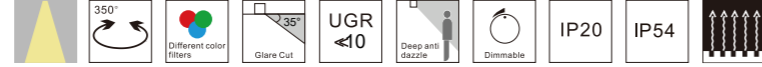
# K-CL36-3T-R3D



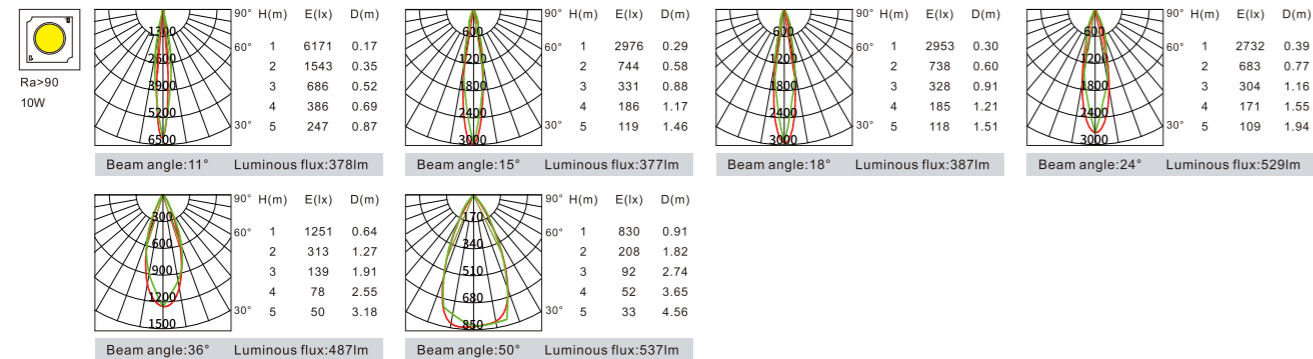
Model	Power	LED voltage	LED Current	CRI	CCT	Beam Angle	LED Output	System output	Dimming Type
K-CL36-308F-R3D	8W	36V	200mA	90	2700K	11°	741lm	331lm	ON-OFF TRIAC 1-10V DALI
						15°	741lm	295lm	
						18°	741lm	328lm	
						24°	741lm	440lm	
						36°	741lm	409lm	
K-CL36-308T-R3D	8W	36V	200mA	90	3000K	11°	770lm	344lm	ON-OFF TRIAC 1-10V DALI
						15°	770lm	309lm	
						18°	770lm	341lm	
						24°	770lm	458lm	
						36°	770lm	426lm	
K-CL36-308T-R3D	8W	36V	200mA	90	4000K	11°	806lm	360lm	ON-OFF TRIAC 1-10V DALI
						15°	806lm	321lm	
						18°	806lm	356lm	
						24°	806lm	479lm	
						36°	806lm	445lm	



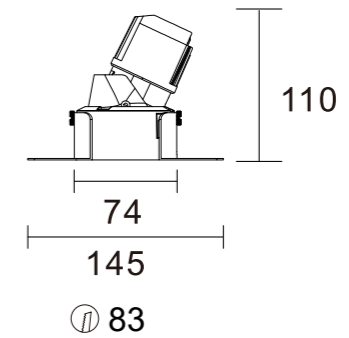
# K-CL36-3F-R3D



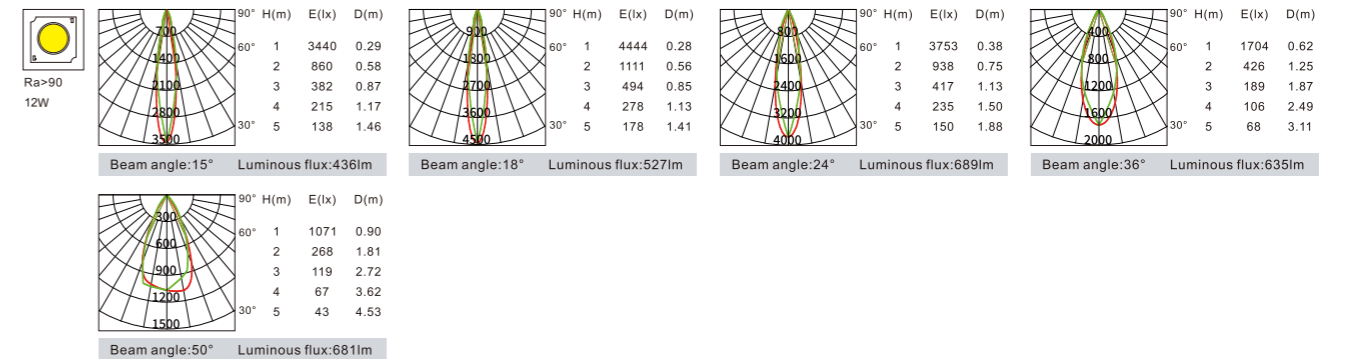
Model	Power	LED voltage	LED Current	CRI	CCT	Beam Angle	LED Output	System output	Dimming Type
K-CL36-310F-R3D	10W	36V	250mA	90	2700K	11°	927lm	363lm	ON-OFF TRIAC 1-10V DALI
						15°	927lm	362lm	
						18°	927lm	372lm	
						24°	927lm	509lm	
						36°	927lm	468lm	
K-CL36-310T-R3D	10W	36V	250mA	90	3000K	11°	963lm	378lm	ON-OFF TRIAC 1-10V DALI
						15°	963lm	377lm	
						18°	963lm	387lm	
						24°	963lm	529lm	
						36°	963lm	487lm	
	10W	36V	250mA	90	4000K	11°	1008lm	395lm	ON-OFF TRIAC 1-10V DALI
						15°	1008lm	394lm	
						18°	1008lm	405lm	
						24°	1008lm	553lm	
						36°	1008lm	509lm	
						50°	1008lm	562lm	



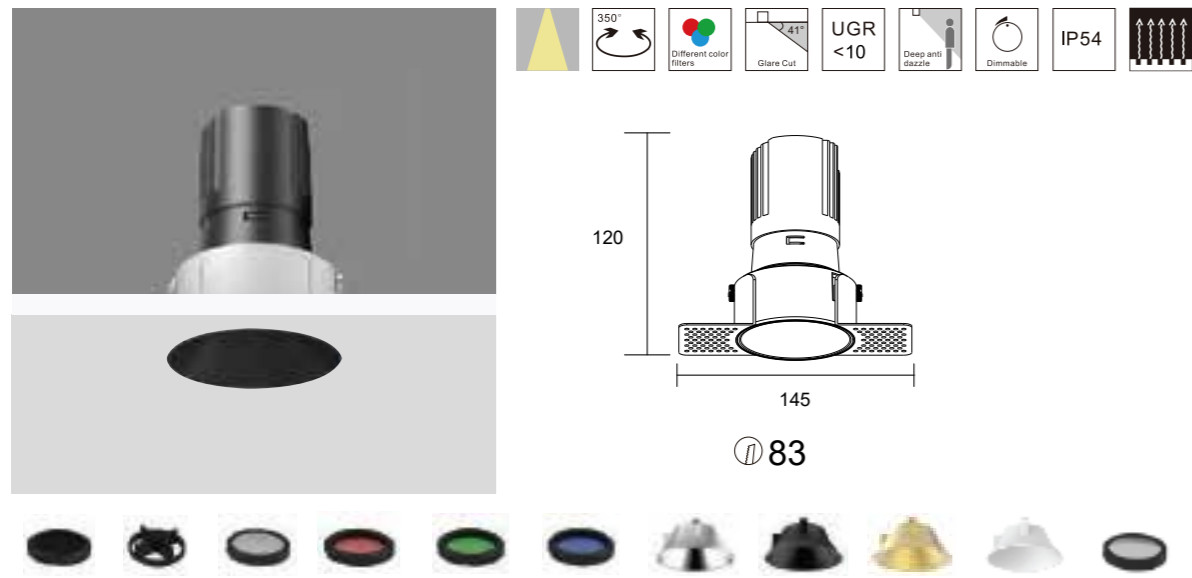
# K-CL36-3T-R3D



Model	Power	LED voltage	LED Current	CRI	CCT	Beam Angle	LED Output	System output	Dimming Type
K-CL36-312F-R3D	12W	36V	300mA	90	2700K	15°	1112lm	419lm	ON-OFF TRIAC 1-10V DALI
						18°	1112lm	507lm	
						24°	1112lm	663lm	
						36°	1112lm	611lm	
						50°	1112lm	655lm	
K-CL36-312T-R3D	12W	36V	300mA	90	3000K	15°	1155lm	436lm	ON-OFF TRIAC 1-10V DALI
						18°	1155lm	527lm	
						24°	1155lm	689lm	
						36°	1155lm	635lm	
						50°	1155lm	681lm	
	12W	36V	300mA	90	4000K	15°	1209lm	456lm	ON-OFF TRIAC 1-10V DALI
						18°	1209lm	551lm	
						24°	1209lm	721lm	
						36°	1209lm	664lm	
						50°	1209lm	712lm	

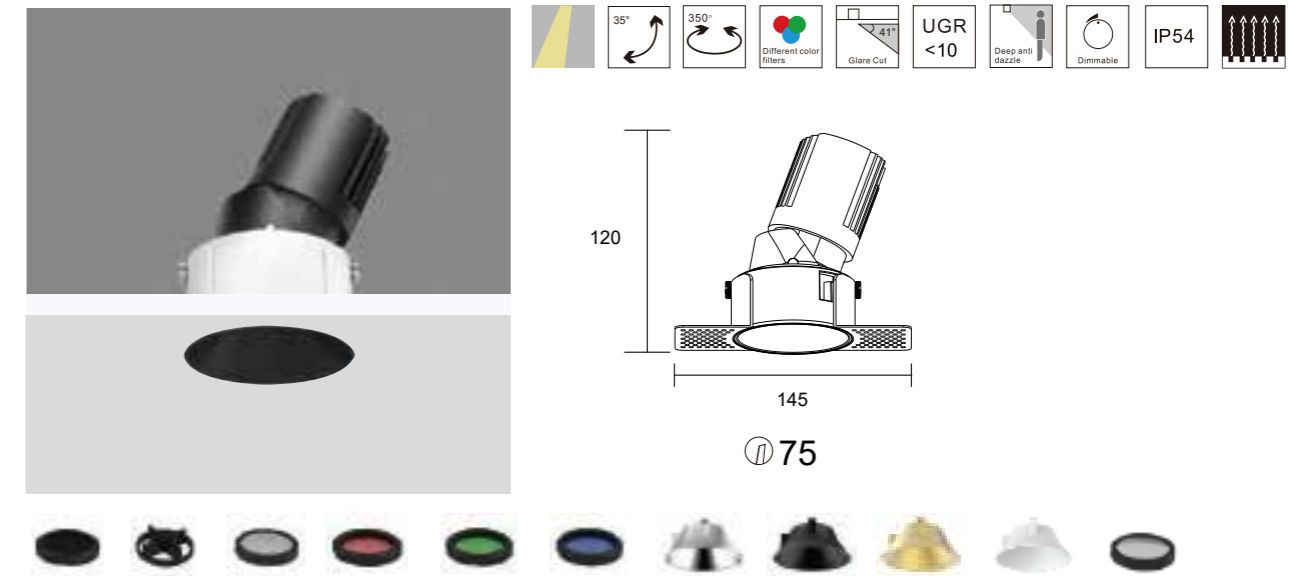


# K-CL36-3F-R3D



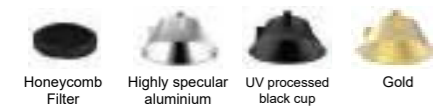
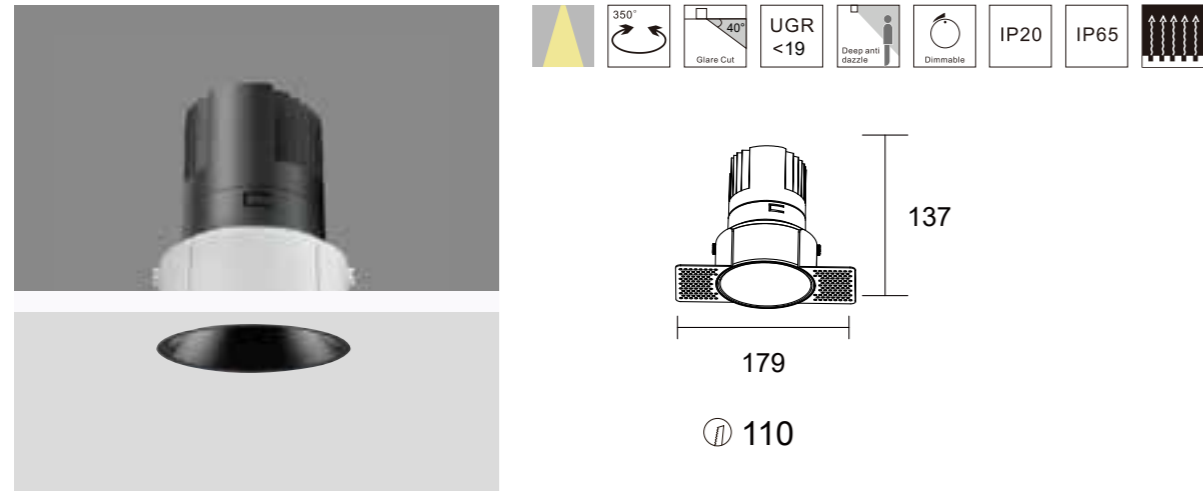
Model	Power	LED voltage	LED Current	CRI	CCT	Beam Angle	LED Output	System output	Dimming Type
K-CL36-315F-R3D	15W	36V	350mA	90	2700K	15°	1246lm	697lm	ON-OFF
						24°	1246lm	614lm	TRIAC
						36°	1246lm	771lm	1-10V
						50°	1246lm	820lm	DALI
	15W	36V	350mA	90	3000K	15°	1342lm	751lm	ON-OFF
						24°	1342lm	662lm	TRIAC
						36°	1342lm	831lm	1-10V
						50°	1342lm	884lm	DALI
	15W	36V	350mA	90	4000K	15°	1426lm	798lm	ON-OFF
						24°	1426lm	703lm	TRIAC
						36°	1426lm	883lm	1-10V
						50°	1426lm	939lm	DALI

# K-CL36-3T-R3D



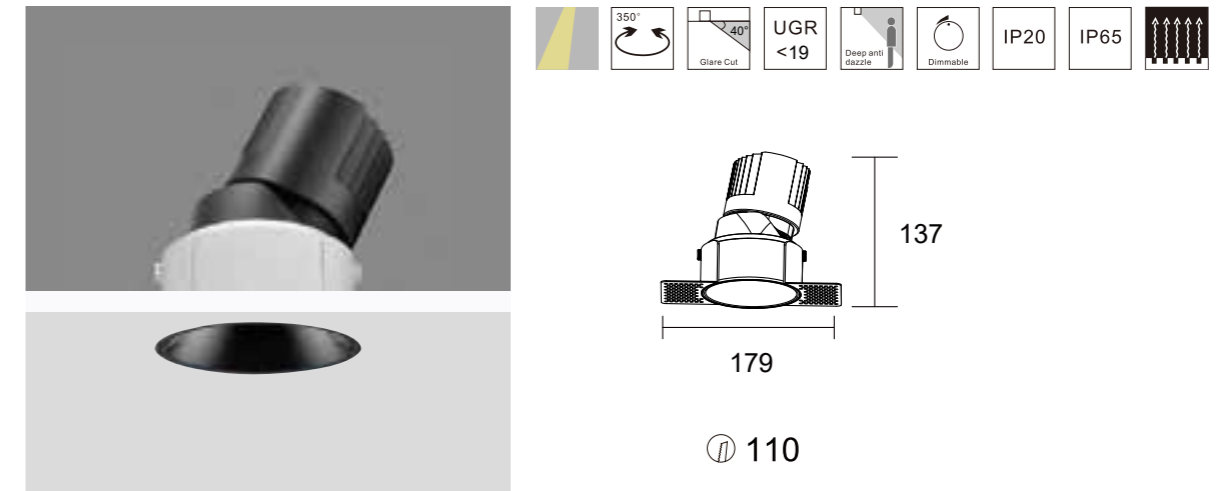
Model	Power	LED voltage	LED Current	CRI	CCT	Beam Angle	LED Output	System output	Dimming Type
K-CL36-315T-R3D	15W	36V	350mA	90	2700K	15°	1246lm	697lm	ON-OFF
						24°	1246lm	614lm	TRIAC
						36°	1246lm	771lm	1-10V
						50°	1246lm	820lm	DALI
	15W	36V	350mA	90	3000K	15°	1342lm	751lm	ON-OFF
						24°	1342lm	662lm	TRIAC
						36°	1342lm	831lm	1-10V
						50°	1342lm	884lm	DALI
	15W	36V	350mA	90	4000K	15°	1426lm	798lm	ON-OFF
						24°	1426lm	703lm	TRIAC
						36°	1426lm	883lm	1-10V
						50°	1426lm	939lm	DALI

# K-CL36-4F-R3D

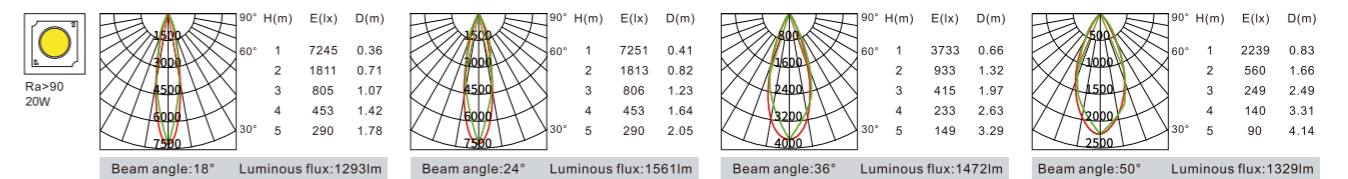
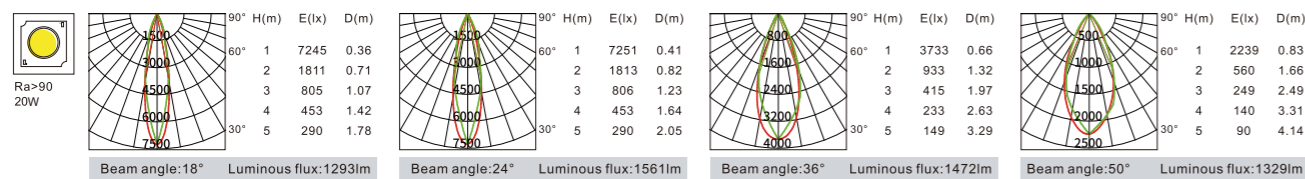


Model	Power	LED voltage	LED Current	CRI	CCT	Beam Angle	LED Output	System output	Dimming Type
K-CL36-420F-R3D	20W	36V	500mA	90	2700K	18°	1854lm	1244lm	ON-OFF
						24°	1854lm	1502lm	TRIAC
						36°	1854lm	1416lm	1-10V
						50°	1854lm	1279lm	DALI
	20W	36V	500mA	90	3000K	18°	1926lm	1293lm	ON-OFF
						24°	1926lm	1561lm	TRIAC
						36°	1926lm	1472lm	1-10V
						50°	1926lm	1329lm	DALI
	20W	36V	500mA	90	4000K	18°	2016lm	1353lm	ON-OFF
						24°	2016lm	1633lm	TRIAC
						36°	2016lm	1540lm	1-10V
						50°	2016lm	1391lm	DALI

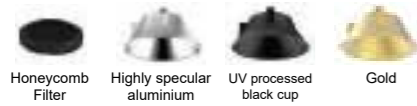
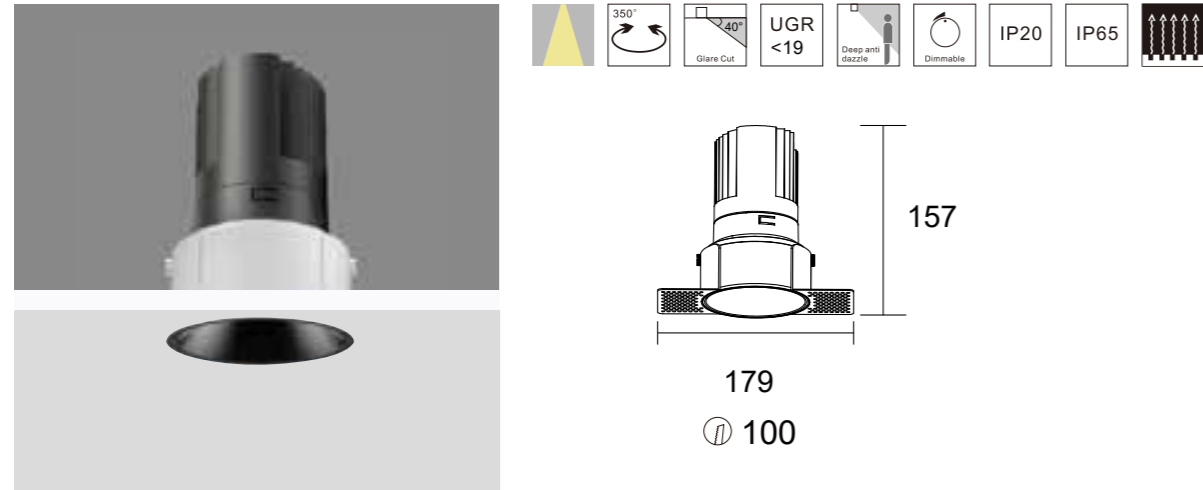
# K-CL36-4T-R3D



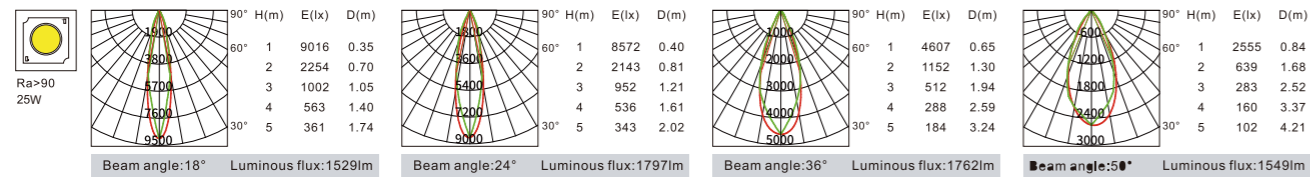
Model	Power	LED voltage	LED Current	CRI	CCT	Beam Angle	LED Output	System output	Dimming Type
K-CL36-420T-R3D	20W	36V	500mA	90	2700K	18°	1854lm	1156lm	ON-OFF
						24°	1854lm	1364lm	TRIAC
						36°	1854lm	1297lm	1-10V
						50°	1854lm	1175lm	DALI
	20W	36V	500mA	90	3000K	18°	1926lm	1203lm	ON-OFF
						24°	1926lm	1419lm	TRIAC
						36°	1926lm	1350lm	1-10V
						50°	1926lm	1221lm	DALI
	20W	36V	500mA	90	4000K	18°	2016lm	1257lm	ON-OFF
						24°	2016lm	1483lm	TRIAC
						36°	2016lm	1411lm	1-10V
						50°	2016lm	1278lm	DALI



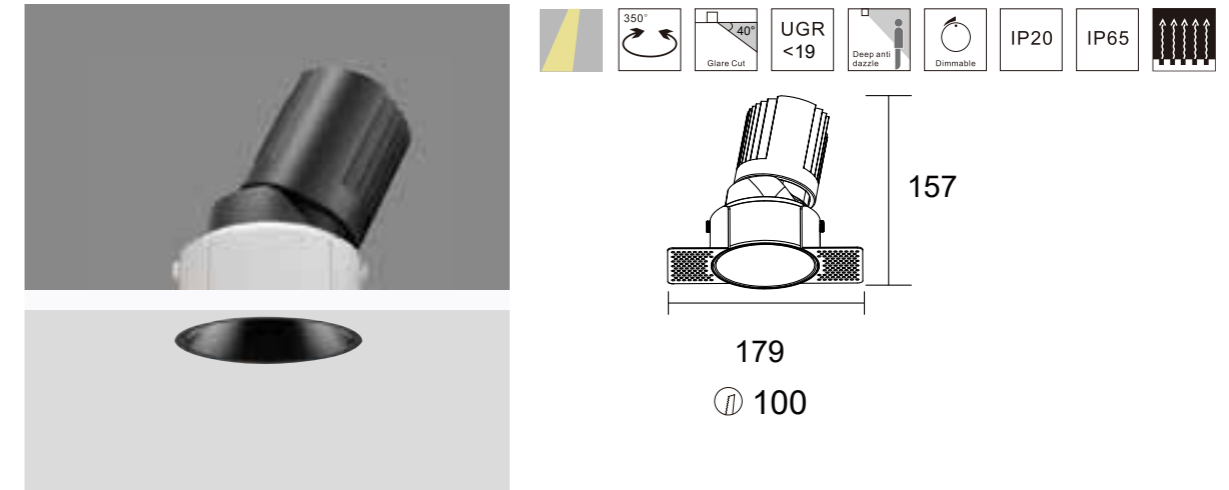
# K-CL36-4F-R3D



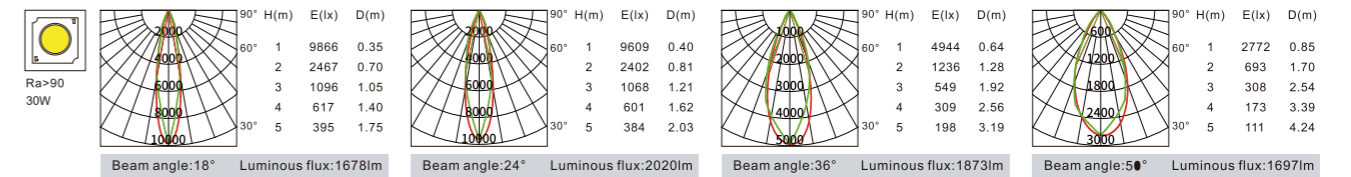
Model	Power	LED voltage	LED Current	CRI	CCT	Beam Angle	LED Output	System output	Dimming Type
K-CL36-425F-R3D	25W	36V	600mA	90	2700K	18°	2225lm	1448lm	ON-OFF
						24°	2225lm	1780lm	TRIAC
						36°	2225lm	1668lm	1-10V
						50°	2225lm	1508lm	DALI
K-CL36-425T-R3D	25W	36V	600mA	90	3000K	18°	2311lm	1506lm	ON-OFF
						24°	2311lm	1871lm	TRIAC
						36°	2311lm	1731lm	1-10V
						50°	2311lm	1569lm	DALI
K-CL36-425F-R3D	25W	36V	600mA	90	4000K	18°	2419lm	1574lm	ON-OFF
						24°	2419lm	1935lm	TRIAC
						36°	2419lm	1814lm	1-10V
						50°	2419lm	1640lm	DALI



# K-CL36-4T-R3D

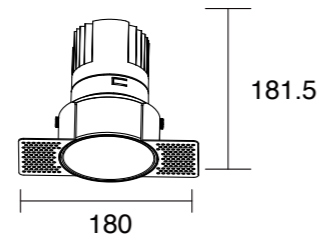


Model	Power	LED voltage	LED Current	CRI	CCT	Beam Angle	LED Output	System output	Dimming Type
K-CL36-430F-R3D	30W	36V	700mA	90	2700K	18°	2595lm	1614lm	NO-OFF
						24°	2595lm	1941lm	TRIAC
						36°	2595lm	1800lm	1-10V
						50°	2595lm	1632lm	DALI
K-CL36-430T-R3D	30W	36V	700mA	90	3000K	18°	2696lm	1677lm	NO-OFF
						24°	2696lm	2019lm	TRIAC
						36°	2696lm	1872lm	1-10V
						50°	2696lm	1696lm	DALI
K-CL36-430F-R3D	30W	36V	700mA	90	4000K	18°	2822lm	1756lm	NO-OFF
						24°	2822lm	2110lm	TRIAC
						36°	2822lm	1958lm	1-10V
						50°	2822lm	1775lm	DALI

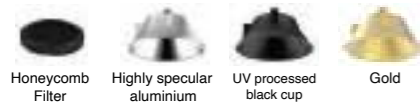




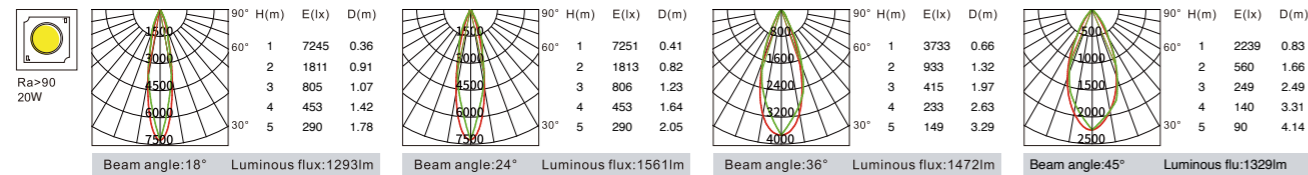
# KAS-CL36L-5F-R3D



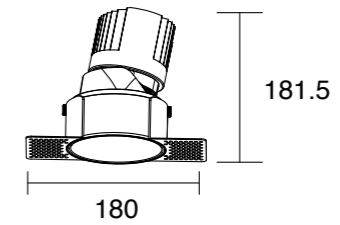
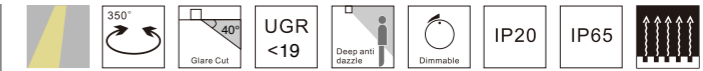
① 123



Model	Power	LED voltage	LED Current	CRI	CCT	Beam Angle	LED Output	System output	Dimming Type
K-CL36L-520F-R3D	20W	36V	500mA	90	2700K	18°	1854lm	1244lm	ON-OFF
						24°	1854lm	1502lm	TRIAC
						36°	1854lm	1416lm	1-10V
						45°	1854lm	1279lm	DALI
	20W	36V	500mA	90	3000K	18°	1926lm	1293lm	ON-OFF
						24°	1926lm	1561lm	TRIAC
						36°	1926lm	1472lm	1-10V
						54°	1926lm	1329lm	DALI
	20W	36V	500mA	90	4000K	18°	2016lm	1353lm	ON-OFF
						24°	2016lm	1633lm	TRIAC
						36°	2016lm	1540lm	1-10V
						45°	2016lm	1391lm	DALI
K-CL36L-525F-R3D	25W	36V	600mA	90	2700K	18°	1854lm	1244lm	ON-OFF
						24°	1854lm	1502lm	TRIAC
						36°	1854lm	1416lm	1-10V
						45°	1854lm	1279lm	DALI
	25W	36V	600mA	90	3000K	18°	1926lm	1293lm	ON-OFF
						24°	1926lm	1561lm	TRIAC
						36°	1926lm	1472lm	1-10V
						54°	1926lm	1329lm	DALI
	25W	36V	600mA	90	4000K	18°	2016lm	1353lm	ON-OFF
						24°	2016lm	1633lm	TRIAC
						36°	2016lm	1540lm	1-10V
						45°	2016lm	1391lm	DALI



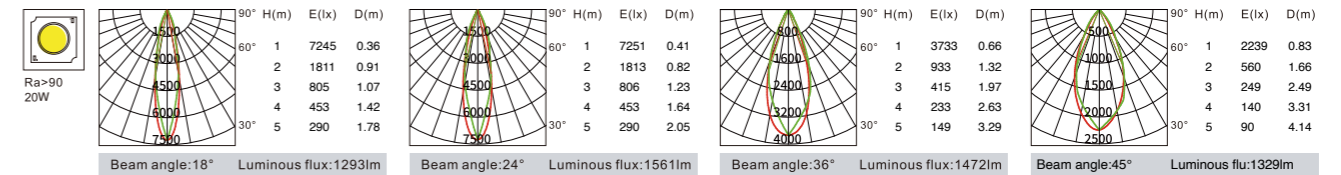
# KAS-CL36L-5T-R3D



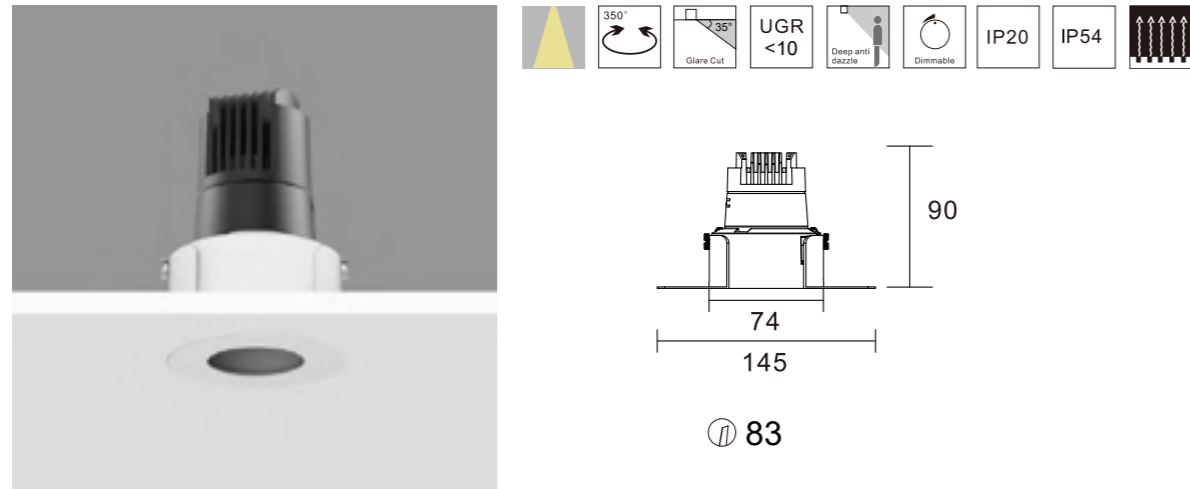
① 123



Model	Power	LED voltage	LED Current	CRI	CCT	Beam Angle	LED Output	System output	Dimming Type
K-CL36L-520T-R3D	20W	36V	500mA	90	2700K	18°	1854lm	1156lm	ON-OFF
						24°	1854lm	1364lm	TRIAC
						36°	1854lm	1297lm	1-10V
						50°	1854lm	1175lm	DALI
	20W	36V	500mA	90	3000K	18°	1926lm	1203lm	ON-OFF
						24°	1926lm	1419lm	TRIAC
						36°	1926lm	1350lm	1-10V
						50°	1926lm	1221lm	DALI
	20W	36V	500mA	90	4000K	18°	2016lm	1257lm	ON-OFF
						24°	2016lm	1483lm	TRIAC
						36°	2016lm	1411lm	1-10V
						50°	2016lm	1278lm	DALI
K-CL36L-525F-R3D	25W	36V	600mA	90	2700K	18°	1854lm	1244lm	ON-OFF
						24°	1854lm	1502lm	TRIAC
						36°	1854lm	1416lm	1-10V
						45°	1854lm	1279lm	DALI
	25W	36V	600mA	90	3000K	18°	1926lm	1293lm	ON-OFF
						24°	1926lm	1561lm	TRIAC
						36°	1926lm	1472lm	1-10V
						54°	1926lm	1329lm	DALI
	25W	36V	600mA	90	4000K	18°	2016lm	1353lm	ON-OFF
						24°	2016lm	1633lm	TRIAC
						36°	2016lm	1540lm	1-10V
						45°	2016lm	1391lm	DALI

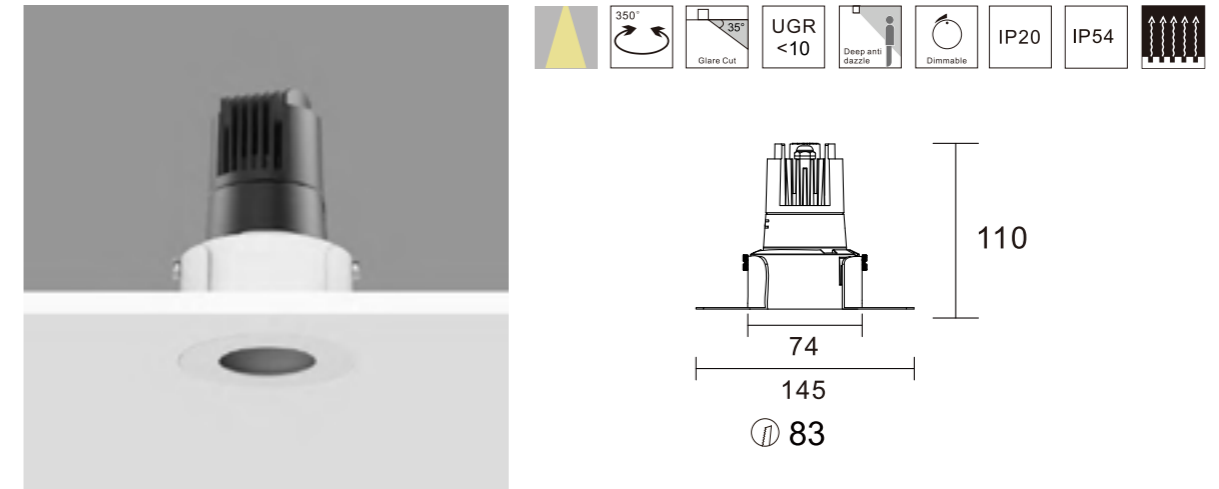


# K-CL36-3F-R3R



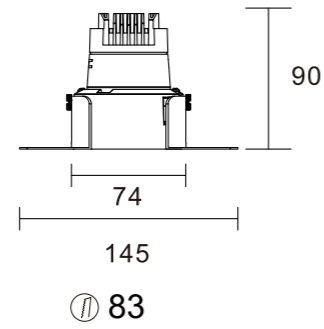
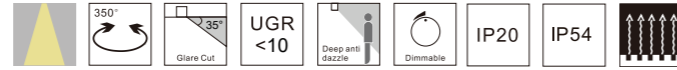
Model	Power	LED voltage	LED Current	CRI	CCT	Beam Angle	LED Output	System output	Dimming Type
K-CL36-305F-R3R	5W	36V	120mA	90	2700K	11°	445lm	254lm	ON-OFF TRIAC 1-10V DALI
						15°	445lm	235lm	
						18°	445lm	265lm	
						24°	445lm	347lm	
						36°	445lm	325lm	
	50°	445lm	341lm						
	5W	36V	120mA	90	3000K	11°	462lm	264lm	ON-OFF TRIAC 1-10V DALI
						15°	462lm	245lm	
						18°	462lm	276lm	
						24°	462lm	361lm	
						36°	462lm	338lm	
	50°	462lm	355lm						
	5W	36V	120mA	90	4000K	11°	484lm	276lm	ON-OFF TRIAC 1-10V DALI
						15°	484lm	256lm	
						18°	484lm	289lm	
24°						484lm	378lm		
36°						484lm	354lm		
50°	484lm	371lm							
K-CL36-308F-R3R	8W	36V	200mA	90	2700K	11°	741lm	331lm	ON-OFF TRIAC 1-10V DALI
						15°	741lm	295lm	
						18°	741lm	328lm	
						24°	741lm	440lm	
						36°	741lm	409lm	
50°	741lm	427lm							
8W	36V	200mA	90	3000K	11°	770lm	344lm	ON-OFF TRIAC 1-10V DALI	
					15°	770lm	307lm		
					18°	770lm	341lm		
					24°	770lm	458lm		
					36°	770lm	426lm		
50°	770lm	444lm							
8W	36V	200mA	90	4000K	11°	806lm	360lm	ON-OFF TRIAC 1-10V DALI	
					15°	806lm	321lm		
					18°	806lm	356lm		
					24°	806lm	479lm		
					36°	806lm	445lm		
50°	806lm	464lm							

# K-CL36-3F-R3R



Model	Power	LED voltage	LED Current	CRI	CCT	Beam Angle	LED Output	System output	Dimming Type
K-CL36-310F-R3R	10W	36V	250mA	90	2700K	11°	927lm	363lm	ON-OFF TRIAC 1-10V DALI
						15°	927lm	362lm	
						18°	927lm	372lm	
						24°	927lm	509lm	
						36°	927lm	468lm	
	50°	927lm	516lm						
	10W	36V	250mA	90	3000K	11°	963lm	378lm	ON-OFF TRIAC 1-10V DALI
						15°	963lm	377lm	
						18°	963lm	387lm	
						24°	963lm	529lm	
						36°	963lm	487lm	
	50°	963lm	537lm						
	10W	36V	250mA	90	4000K	11°	1008lm	395lm	ON-OFF TRIAC 1-10V DALI
						15°	1008lm	394lm	
						18°	1008lm	405lm	
24°						1008lm	553lm		
36°						1008lm	509lm		
50°	1008lm	562lm							
K-CL36-312F-R3R	12W	36V	300mA	90	2700K	15°	1112lm	247lm	ON-OFF TRIAC 1-10V DALI
						18°	1112lm	240lm	
						24°	1112lm	336lm	
						36°	1112lm	273lm	
						50°	1112lm	303lm	
12W	36V	300mA	90	3000K	15°	1155lm	412lm	ON-OFF TRIAC 1-10V DALI	
					18°	1155lm	401lm		
					24°	1155lm	560lm		
					36°	1155lm	455lm		
					50°	1155lm	505lm		
12W	36V	300mA	90	4000K	15°	1209lm	515lm	ON-OFF TRIAC 1-10V DALI	
					18°	1209lm	501lm		
					24°	1209lm	700lm		
					36°	1209lm	568lm		
					50°	1209lm	631lm		

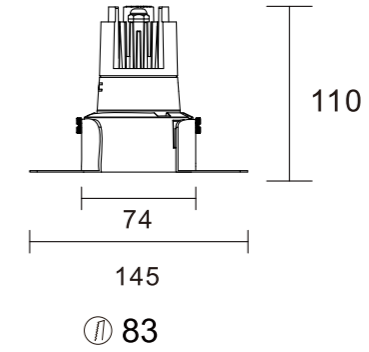
# K-CL36-3F-R3P



White

Model	Power	LED voltage	LED Current	CRI	CCT	Beam Angle	LED Output	System output	Dimming Type
K-CL36-305F-R3P	5W	36V	120mA	90	2700K	11°	445lm	254lm	ON-OFF TRIAC 1-10V DALI
						15°	445lm	235lm	
						18°	445lm	265lm	
						24°	445lm	347lm	
						36°	445lm	325lm	
	50°	445lm	341lm						
	5W	36V	120mA	90	3000K	11°	462lm	264lm	ON-OFF TRIAC 1-10V DALI
						15°	462lm	245lm	
						18°	462lm	276lm	
						24°	462lm	361lm	
						36°	462lm	338lm	
	50°	462lm	355lm						
	5W	36V	120mA	90	4000K	11°	484lm	276lm	ON-OFF TRIAC 1-10V DALI
						15°	484lm	256lm	
						18°	484lm	289lm	
24°						484lm	378lm		
36°						484lm	354lm		
50°	484lm	371lm							
K-CL36-308F-R3P	8W	36V	200mA	90	2700K	11°	741lm	331lm	ON-OFF TRIAC 1-10V DALI
						15°	741lm	295lm	
						18°	741lm	328lm	
						24°	741lm	440lm	
						36°	741lm	409lm	
	50°	741lm	427lm						
	8W	36V	200mA	90	3000K	11°	770lm	344lm	ON-OFF TRIAC 1-10V DALI
						15°	770lm	307lm	
						18°	770lm	341lm	
						24°	770lm	458lm	
						36°	770lm	426lm	
	50°	770lm	444lm						
	8W	36V	200mA	90	4000K	11°	806lm	360lm	ON-OFF TRIAC 1-10V DALI
						15°	806lm	321lm	
						18°	806lm	356lm	
24°						806lm	479lm		
36°						806lm	445lm		
50°	806lm	464lm							

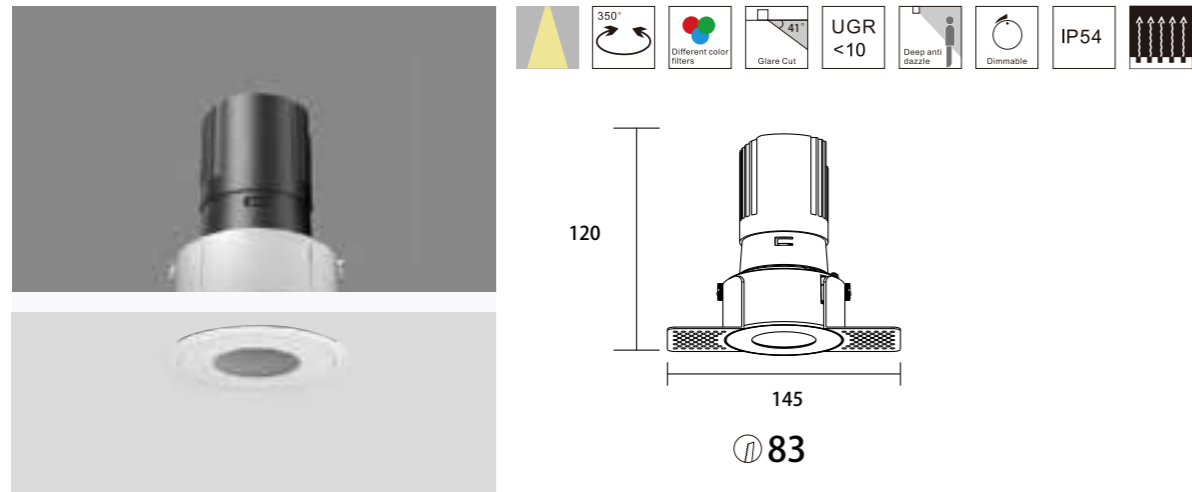
# K-CL36-3F-R3P



White

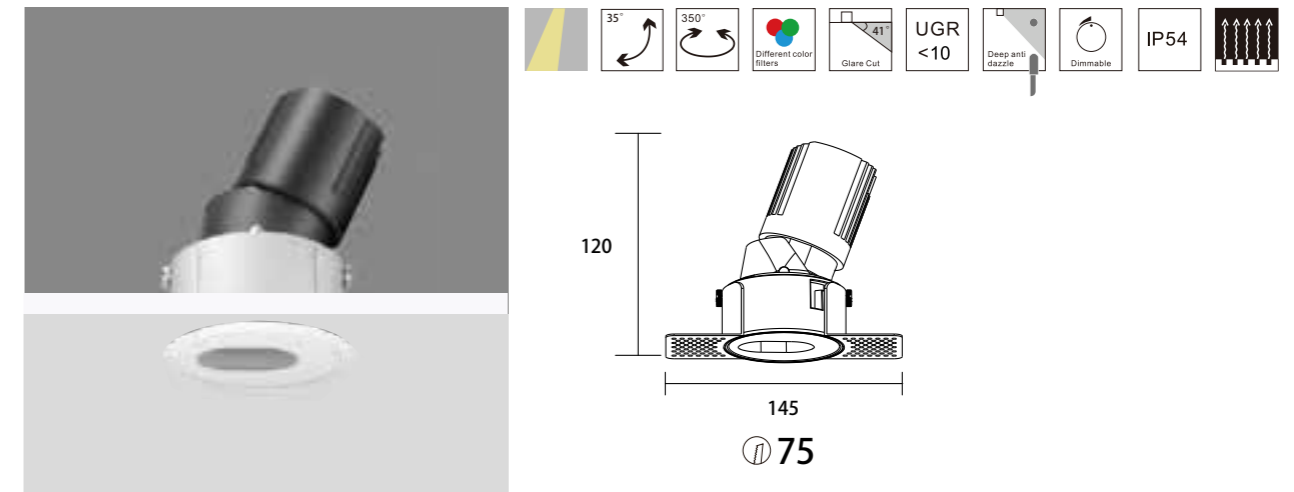
Model	Power	LED voltage	LED Current	CRI	CCT	Beam Angle	LED Output	System output	Dimming Type
K-CL36-310F-R3P	10W	36V	250mA	90	2700K	11°	927lm	363lm	ON-OFF TRIAC 1-10V DALI
						15°	927lm	362lm	
						18°	927lm	372lm	
						24°	927lm	509lm	
						36°	927lm	468lm	
	50°	927lm	516lm						
	10W	36V	250mA	90	3000K	11°	963lm	378lm	ON-OFF TRIAC 1-10V DALI
						15°	963lm	377lm	
						18°	963lm	387lm	
						24°	963lm	529lm	
						36°	963lm	487lm	
	50°	963lm	537lm						
	10W	36V	250mA	90	4000K	11°	1008lm	395lm	ON-OFF TRIAC 1-10V DALI
						15°	1008lm	394lm	
						18°	1008lm	405lm	
24°						1008lm	553lm		
36°						1008lm	509lm		
50°	1008lm	562lm							
K-CL36-312F-R3P	12W	36V	300mA	90	2700K	15°	1112lm	247lm	ON-OFF TRIAC 1-10V DALI
						18°	1112lm	240lm	
						24°	1112lm	336lm	
						36°	1112lm	273lm	
						50°	1112lm	303lm	
	12W	36V	300mA	90	3000K	15°	1155lm	412lm	ON-OFF TRIAC 1-10V DALI
						18°	1155lm	401lm	
						24°	1155lm	560lm	
						36°	1155lm	455lm	
						50°	1155lm	505lm	
	12W	36V	300mA	90	4000K	15°	1209lm	515lm	ON-OFF TRIAC 1-10V DALI
						18°	1209lm	501lm	
						24°	1209lm	700lm	
						36°	1209lm	568lm	
						50°	1209lm	631lm	

# K-CL36-3F-R3R



Model	Power	LED voltage	LED Current	CRI	CCT	Beam Angle	LED Output	System output	Dimming Type
K-CL36-315F-R3R	15W	36V	350mA	90	2700K	15°	1246lm	519lm	ON-OFF
						24°	1246lm	428lm	TRIAC
						36°	1246lm	510lm	1-10V
						50°	1246lm	453lm	DALI
K-CL36-315FR3R	15W	36V	350mA	90	3000K	15°	1342lm	560lm	ON-OFF
						24°	1342lm	462lm	TRIAC
						36°	1342lm	550lm	1-10V
						50°	1342lm	488lm	DALI
K-CL36-315FR3R	15W	36V	350mA	90	4000K	15°	1426lm	595lm	ON-OFF
						24°	1426lm	490lm	TRIAC
						36°	1426lm	584lm	1-10V
						50°	1426lm	518lm	DALI

# K-CL36-3T-R3E



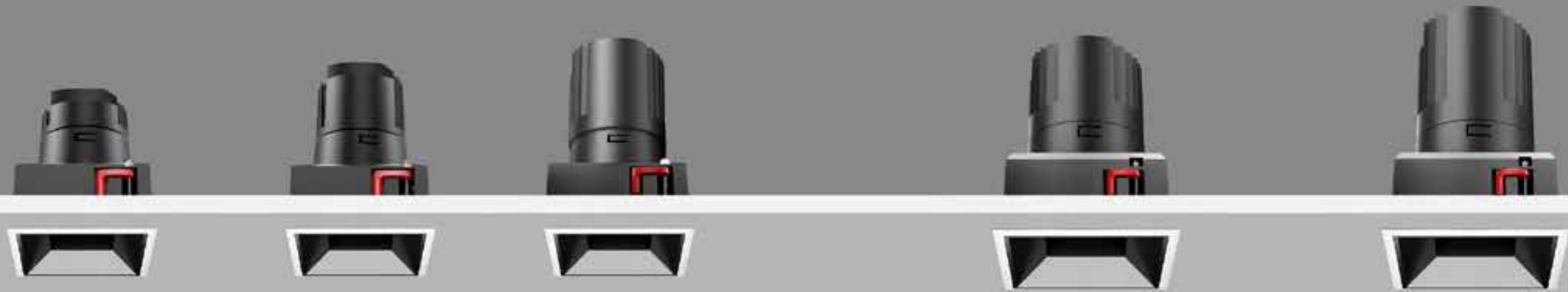
Model	Power	LED voltage	LED Current	CRI	CCT	Beam Angle	LED Output	System output	Dimming Type
K-CL36-315T-R3E	15W	36V	350mA	90	2700K	15°	1246lm	660lm	ON-OFF
						24°	1246lm	598lm	TRIAC
						36°	1246lm	700lm	1-10V
						50°	1246lm	752lm	DALI
K-CL36-315T-R3E	15W	36V	350mA	90	3000K	15°	1342lm	711lm	ON-OFF
						24°	1342lm	645lm	TRIAC
						36°	1342lm	755lm	1-10V
						50°	1342lm	811lm	DALI
K-CL36-315T-R3E	15W	36V	350mA	90	4000K	15°	1426lm	755lm	ON-OFF
						24°	1426lm	685lm	TRIAC
						36°	1426lm	802lm	1-10V
						50°	1426lm	961lm	DALI

# CL36 Series

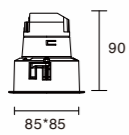


- Dark light technology with chip deeply hidden, well-designed dark light reflector with  $UGR \leq 19$ . Comfortable and no glare.
- Tens of reflectors in option, to satisfy designers requirements to different area and style.
- Precise distribution and even transition. Less scattering makes vision more comfortable.
- Galaxy series use a composable, alternative, modular, simple and elegant lamp body.

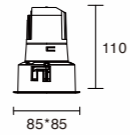
# CL36 Series



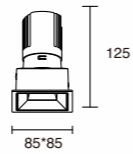
**K-CL36-3F-S1D**  
 Power: 5W/8W  
 Cutout: 75\*75mm  
 Height: 90mm



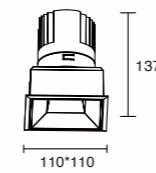
**K-CL36-3F-S1D**  
 Power: 10W/12W  
 Cutout: 75\*75mm  
 Height: 110mm



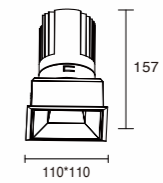
**K-CL36-3F-S1D**  
 Power: 15W  
 Cutout: 75\*75mm  
 Height: 125mm



**K-CL36-4F-S1D**  
 Power: 20W  
 Cutout: 100\*100mm  
 Height: 137mm



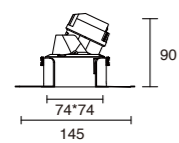
**K-CL36-4F-S1D**  
 Power: 25W/30W  
 Cutout: 100\*100mm  
 Height: 157mm



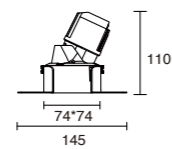
# CL36 Series



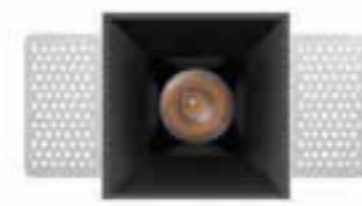
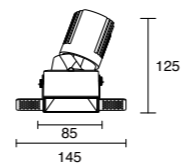
**K-CL36-3T-S3D**  
 Power: 5W/8W  
 Cutout: 75\*75mm  
 Height: 90mm



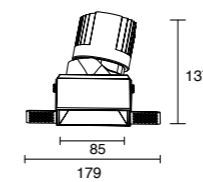
**K-CL36-3T-S3D**  
 Power: 10W/12W  
 Cutout: 75\*75mm  
 Height: 110mm



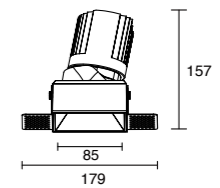
**K-CL36-3T-S3D**  
 Power: 15W  
 Cutout: 75\*75mm  
 Height: 125mm



**K-CL36-4T-S3D**  
 Power: 20W  
 Cutout: 100\*100mm  
 Height: 137mm



**K-CL36-4T-S3D**  
 Power: 25W/30W  
 Cutout: 100\*100mm  
 Height: 157mm



Mandarin CL36 Series

Model	K-CL36-3T-S1D	K-CL36-3T-S1D	K-CL36-3T-S1D	K-CL36-4T-S1D	K-CL36-4T-S1D	K-CL36-3T-S1Q
Product Photo						
Dimension(mm)						
Cutout(mm)	75*75	75*75	75*75	100*100	100*100	75*75
Wattage	5W/8W	10W/12W	15W	20W	25W/30W	15W
CCT	2700K 3000K 4000K	2700K 3000K 4000K	2700K 3000K 4000K	2700K 3000K 3500K 4000K	2700K 3000K 3500K 4000K	2700K 3000K 4000K
CRI	>90	>90	>90	>90	>90	>90
Beam Angle	11°/15°/18°/24°/36°/50°	11°/15°/18°/24°/36°/50°	15°/24°/36°/50°	18°/24°/36°/45°	18°/24°/36°/45°	15°/24°/36°/50°
Lumen	350-460LM	520-670LM	608-755 LM	1500-1700LM	1367-2010LM	589-709LM
IP	IP20/IP54	IP20/IP54	IP20/IP54	IP20/IP65	IP20/IP65	IP20/IP54
Dimming	TRIAC/1-10V/DALI	TRIAC/1-10V/DALI	TRIAC/1-10V/DALI	TRIAC/1-10V/DALI	TRIAC/1-10V/DALI	TRIAC/1-10V/DALI
Accessory	Honeycomb Filter Stripped Glass Cross-grille Red Filter Green Filter Blue Filter	Honeycomb Filter Stripped Glass Cross-grille Red Filter Green Filter Blue Filter	Honeycomb Filter Stripped Glass Cross-grille Red Filter Green Filter Blue Filter	Honeycomb Filter	Honeycomb Filter	Honeycomb Filter Stripped Glass Cross-grille Red Filter Green Filter Blue Filter
Reflector Colour	UV processed black cup Highly specular aluminium White Gold	UV processed black cup Highly specular aluminium White Gold	UV processed black cup Highly specular aluminium White Gold	UV processed black cup Highly specular aluminium Gold	UV processed black cup Highly specular aluminium Gold	UV processed black cup Highly specular aluminium Gold
Colour	White+Iron gray	White+Iron gray	White+Iron gray	White+Iron gray	White+Iron gray	White+Iron gray

Reflecting Accessories



Highly specular aluminium  
UV processed black cup  
Gold  
White

Optical Accessories



Honeycomb Filter  
Cross-grille  
Stripped Glass  
Red Filter  
Green Filter  
Blue Filter



# CL36 Series

Model	K-CL36-3T-S1D	K-CL36-3T-S1D	K-CL36-3T-S1D	K-CL36-3T-S1Q	K-CL36-4T-S1D	K-CL36-4T-S1D
Product Photo						
Dimension (mm)						
Out out (mm)	75*75	75*75	75*75	75*75	100*100	100*100
Wattage	5W/8W	10W/12W	15W	15W	20W	25W/30W
CCT	2700K 3000K 4000K	2700K 3000K 4000K	2700K 3000K 4000K	2700K 3000K 4000K	2700K 3000K 3500K 4000K	2700K 3000K 3500K 4000K
CR	>90	>90	>90	>90	>90	>90
Beam Angle	11° / 15° / 18° / 24° / 36° / 50°	11° / 15° / 18° / 24° / 36° / 50°	15° / 24°/36°/50°	15° / 24°/36°/50°	18° / 24° / 36° / 45°	18° / 24° / 36° / 45°
Lumen	350-460LM	520-670LM	608-755 LM	589-709 LM	1500-1700LM	1367-2010LM
IP	IP20/ IP54	IP20/ IP54	IP20/ IP54	IP20/ IP54	IP20/ IP65	IP20/ IP65
Dimming	TRIAC/ 1-10V/ DALI	TRIAC/ 1-10V/ DALI	TRIAC/ 1-10V/ DALI	TRIAC/ 1-10V/ DALI	TRIAC/ 1-10V/ DALI	TRIAC/ 1-10V/ DALI
Accessory	Honeycomb Filter Stripped Glass Cross-grille Red Filter Green Filter Blue Filter	Honeycomb Filter Stripped Glass Cross-grille Red Filter Green Filter Blue Filter	Honeycomb Filter Stripped Glass Cross-grille Red Filter Green Filter Blue Filter	Honeycomb Filter Stripped Glass Cross-grille Red Filter Green Filter Blue Filter	Honeycomb Filter	Honeycomb Filter
Reflector Colour	UV processed black cup Highly specular aluminium White Gold	UV processed black cup Highly specular aluminium White Gold	UV processed black cup Highly specular aluminium White Gold	UV processed black cup Highly specular aluminium White Gold	UV processed black cup Highly specular aluminium Gold	UV processed black cup Highly specular aluminium Gold
Colour	White+ Iron gray	White+ Iron gray	White+ Iron gray	White+ Iron gray	White+ Iron gray	White+ Iron gray

## Reflecting Accessories



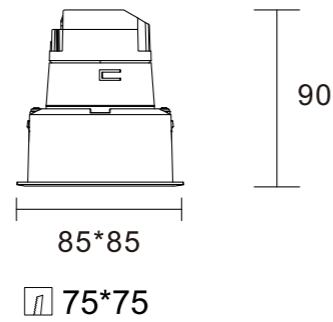
Highly specular aluminium  
UV processed black cup  
Gold  
White

## Optical Accessories

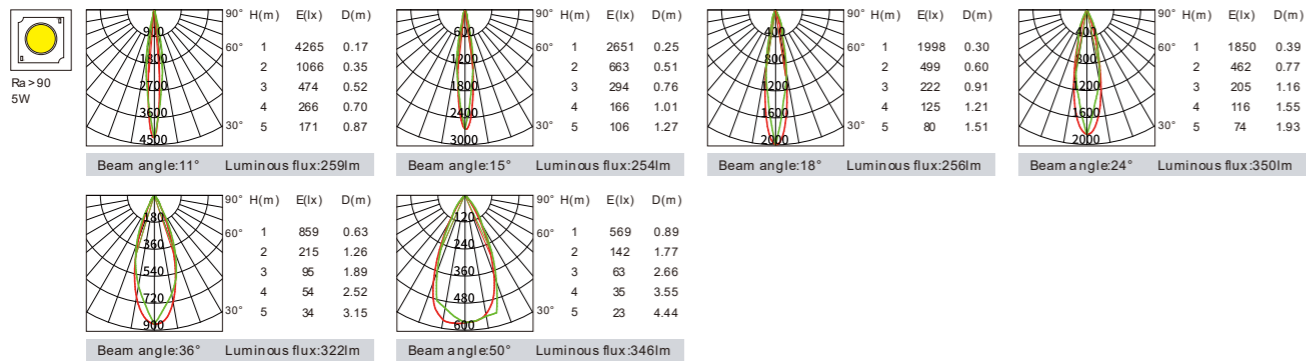


Honeycomb Filter  
Cross-grille  
Stripped Glass  
Red Filter  
Green Filter  
Blue Filter

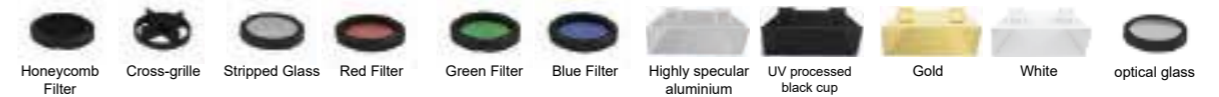
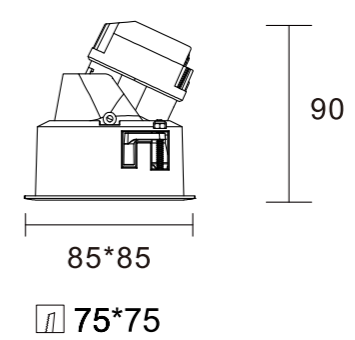
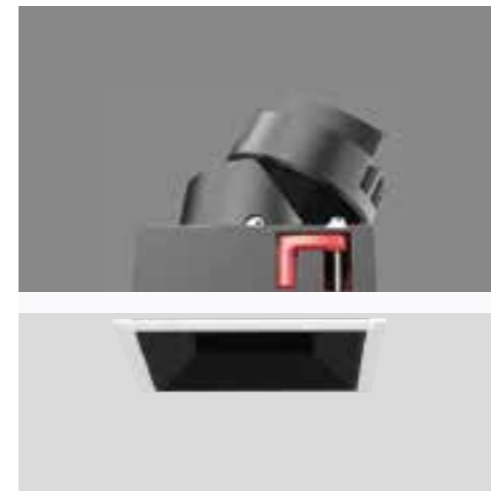
# K-CL36-3F-S1D



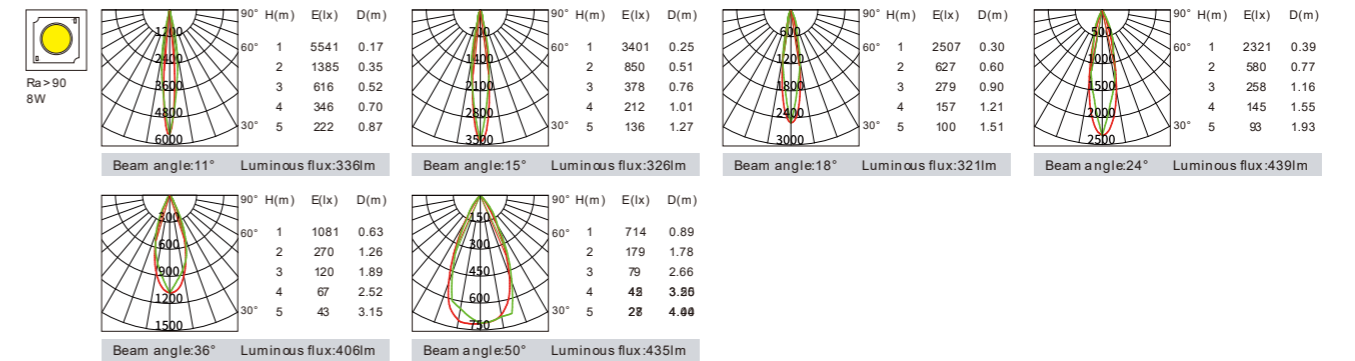
Model	Power	LED voltage	LED Current	CRI	CCT	Beam Angle	LED Output	System output	Dimming Type
K-CL36-305F-S1D	5W	36V	120mA	90	2700K	11°	445lm	249lm	ON-OFF TRIAC 1-10V DALI
						15°	445lm	244lm	
						18°	445lm	246lm	
						24°	445lm	337lm	
						36°	445lm	310lm	
K-CL36-305T-S1D	5W	36V	120mA	90	3000K	11°	462lm	259lm	ON-OFF TRIAC 1-10V DALI
						15°	462lm	254lm	
						18°	462lm	256lm	
						24°	462lm	350lm	
						36°	462lm	322lm	
K-CL36-305T-S1D	5W	36V	120mA	90	4000K	11°	484lm	271lm	ON-OFF TRIAC 1-10V DALI
						15°	484lm	266lm	
						18°	484lm	268lm	
						24°	484lm	366lm	
						36°	484lm	337lm	
						50°	484lm	362lm	



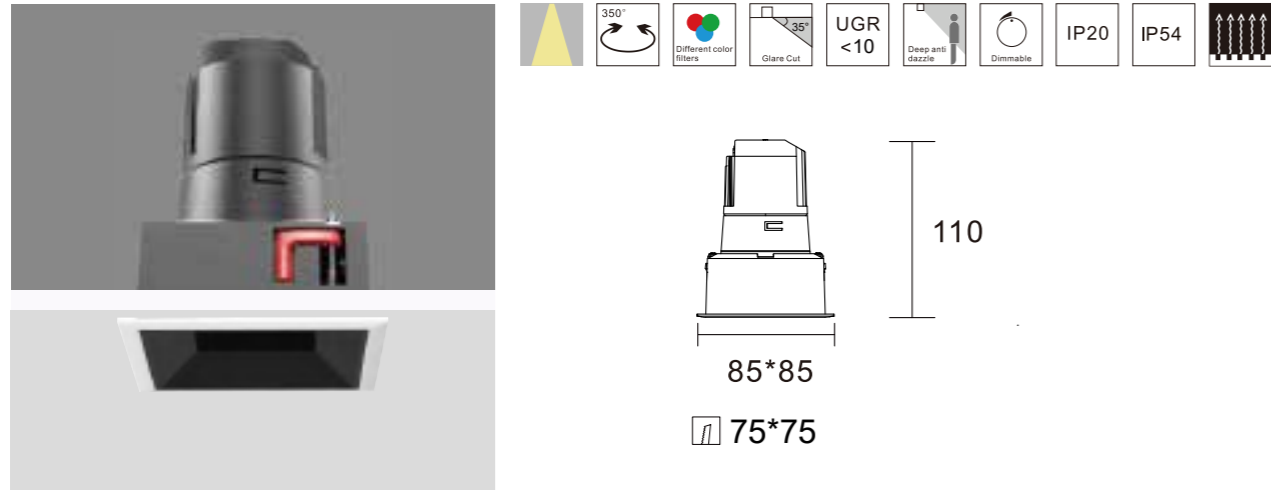
# K-CL36-3T-S1D



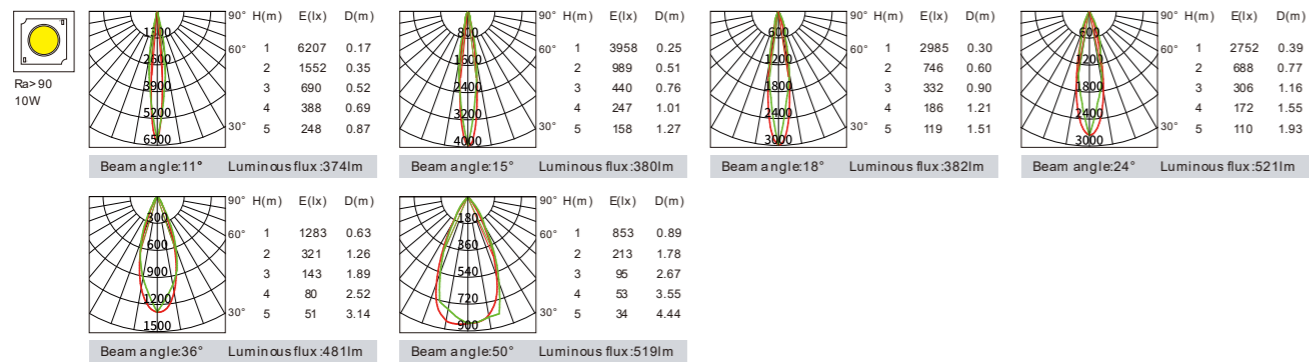
Model	Power	LED voltage	LED Current	CRI	CCT	Beam Angle	LED Output	System output	Dimming Type
K-CL36-308F-S1D	8W	36V	200mA	90	2700K	11°	741lm	323lm	ON-OFF TRIAC 1-10V DALI
						15°	741lm	313lm	
						18°	741lm	308lm	
						24°	741lm	422lm	
						36°	741lm	390lm	
K-CL36-308T-S1D	8W	36V	200mA	90	3000K	11°	770lm	336lm	ON-OFF TRIAC 1-10V DALI
						15°	770lm	326lm	
						18°	770lm	321lm	
						24°	770lm	439lm	
						36°	770lm	406lm	
K-CL36-308T-S1D	8W	36V	200mA	90	4000K	11°	806lm	351lm	ON-OFF TRIAC 1-10V DALI
						15°	806lm	341lm	
						18°	806lm	336lm	
						24°	806lm	459lm	
						36°	806lm	424lm	
						50°	806lm	455lm	



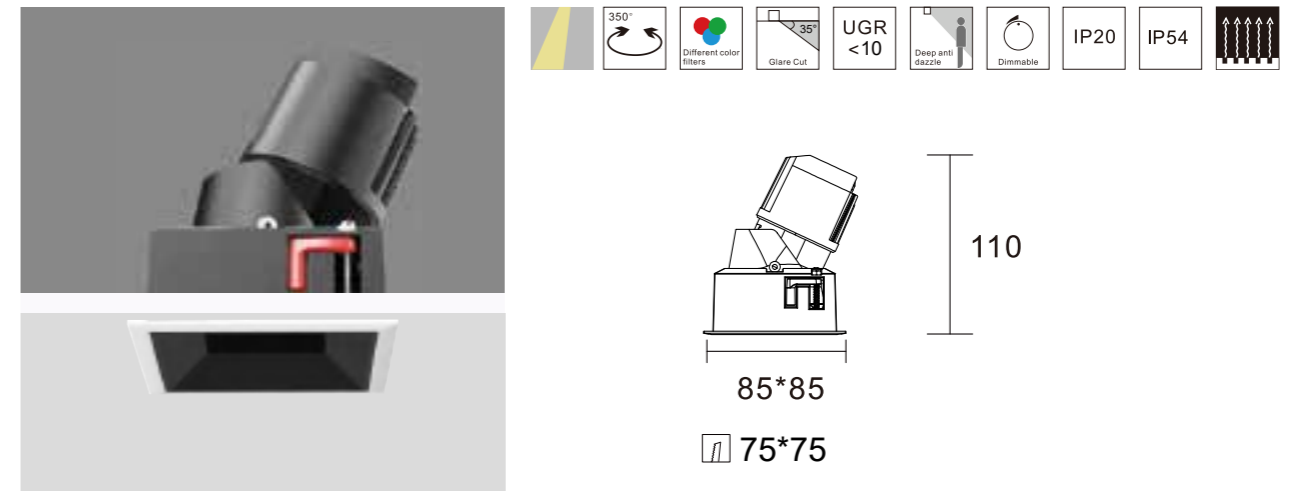
# K-CL36-3F-S1D



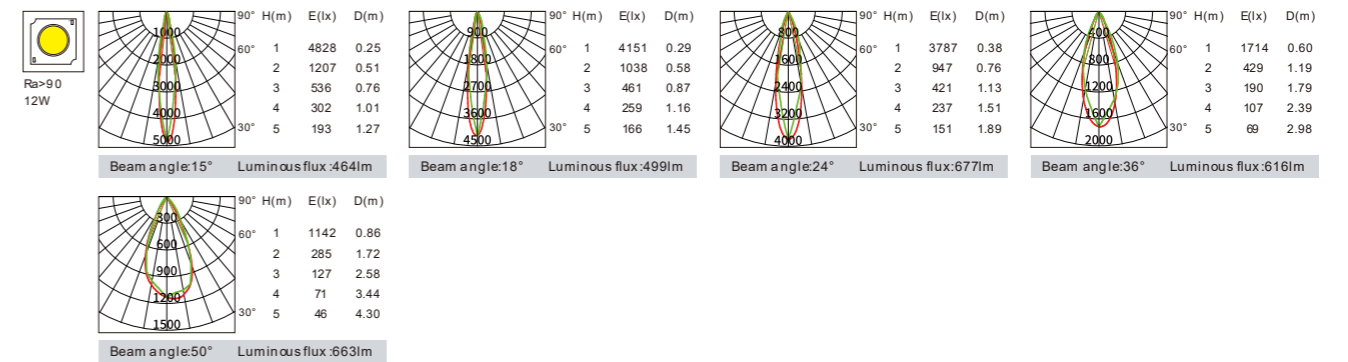
Model	Power	LED voltage	LED Current	CRI	CCT	Beam Angle	LED Output	System output	Dimming Type
K-CL36-310F-S1D	10W	36V	250mA	90	2700K	11°	927lm	360lm	ON-OFF TRIAC 1-10V DALI
						15°	927lm	365lm	
						18°	927lm	367lm	
						24°	927lm	504lm	
						36°	927lm	463lm	
50°	927lm	499lm							
K-CL36-310T-S1D	10W	36V	250mA	90	3000K	11°	963lm	374lm	ON-OFF TRIAC 1-10V DALI
						15°	963lm	380lm	
						18°	963lm	382lm	
						24°	963lm	524lm	
						36°	963lm	481lm	
50°	963lm	519lm							
K-CL36-310T-S1D	10W	36V	250mA	90	4000K	11°	1008lm	391lm	ON-OFF TRIAC 1-10V DALI
						15°	1008lm	397lm	
						18°	1008lm	399lm	
						24°	1008lm	548lm	
						36°	1008lm	503lm	
50°	1008lm	543lm							



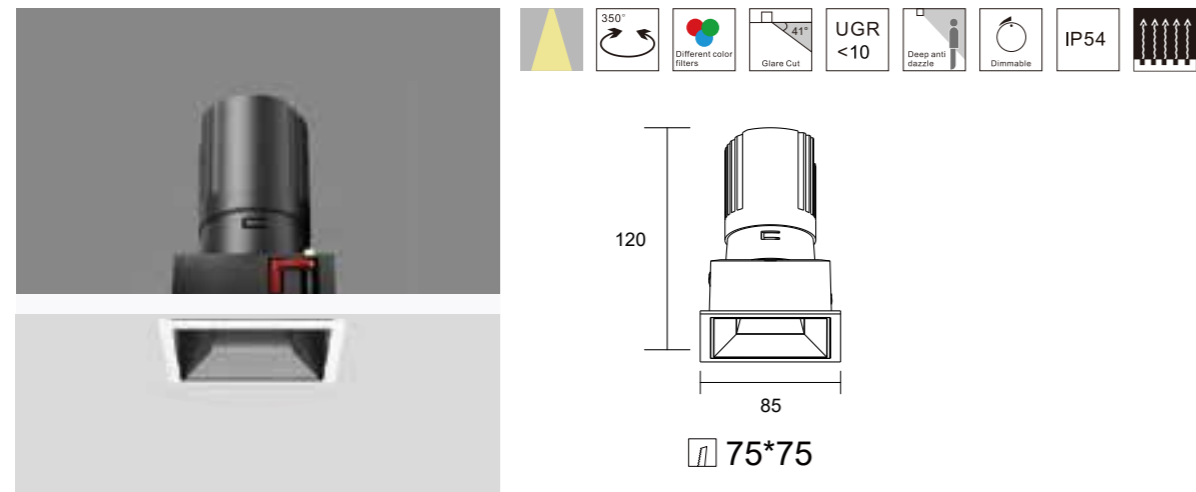
# K-CL36-3T-S1D



Model	Power	LED voltage	LED Current	CRI	CCT	Beam Angle	LED Output	System output	Dimming Type
K-CL36-312F-S1D	12W	36V	300mA	90	2700K	15°	1112lm	446lm	ON-OFF TRIAC 1-10V DALI
						18°	1112lm	484lm	
						24°	1112lm	651lm	
						36°	1112lm	593lm	
						50°	1112lm	638lm	
K-CL36-312T-S1D	12W	36V	300mA	90	3000K	15°	1155lm	464lm	ON-OFF TRIAC 1-10V DALI
						18°	1155lm	499lm	
						24°	1155lm	677lm	
						36°	1155lm	616lm	
						50°	1155lm	663lm	
K-CL36-312T-S1D	12W	36V	300mA	90	4000K	15°	1209lm	485lm	ON-OFF TRIAC 1-10V DALI
						18°	1209lm	522lm	
						24°	1209lm	708lm	
						36°	1209lm	644lm	
						50°	1209lm	693lm	

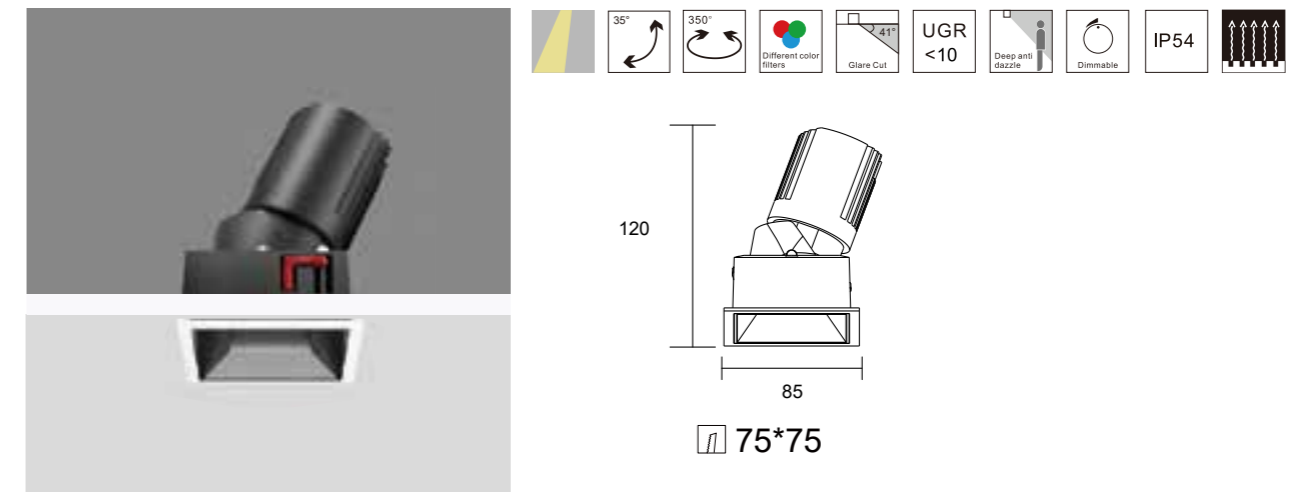


# K-CL36-3F-S1D



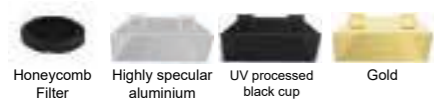
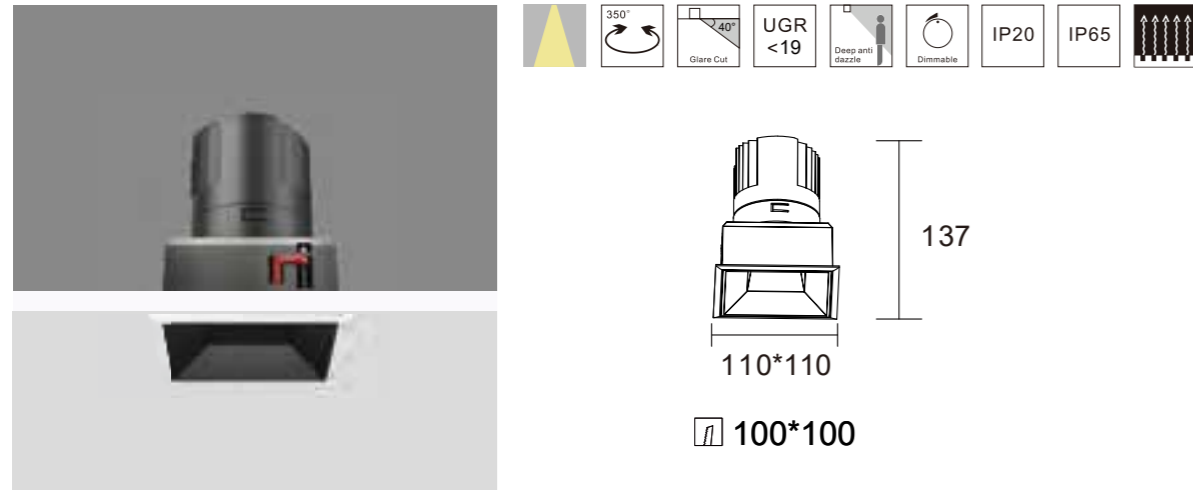
Model	Power	LED voltage	LED Current	CRI	CCT	Beam Angle	LED Output	System output	Dimming Type
K-CL36-315F-S1D	15W	36V	350mA	90	2700K	15°	1246lm	608lm	ON-OFF
						24°	1246lm	752lm	TRIAC
						36°	1246lm	611lm	1-10V
						50°	1246lm	660lm	DALI
	15W	36V	350mA	90	3000K	15°	1342lm	655lm	ON-OFF
						24°	1342lm	810lm	TRIAC
						36°	1342lm	659lm	1-10V
						50°	1342lm	711lm	DALI
	15W	36V	350mA	90	4000K	15°	1426lm	695lm	ON-OFF
						24°	1426lm	860lm	TRIAC
						36°	1426lm	700lm	1-10V
						50°	1426lm	755lm	DALI

# K-CL36-3T-S1D

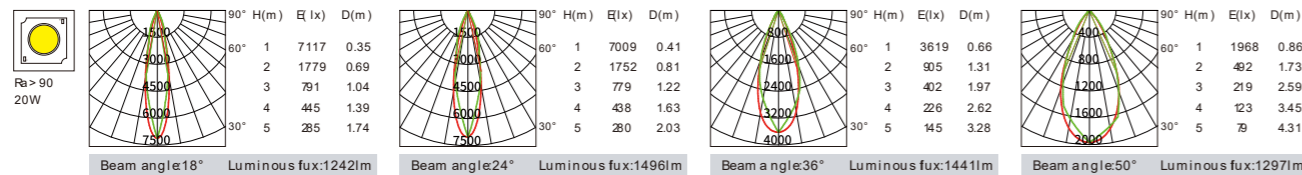


Model	Power	LED voltage	LED Current	CRI	CCT	Beam Angle	LED Output	System output	Dimming Type
K-CL36-315T-S1D	15W	36V	350mA	90	2700K	15°	1246lm	608lm	ON-OFF
						24°	1246lm	752lm	TRIAC
						36°	1246lm	611lm	1-10V
						50°	1246lm	660lm	DALI
	15W	36V	350mA	90	3000K	15°	1342lm	655lm	ON-OFF
						24°	1342lm	810lm	TRIAC
						36°	1342lm	659lm	1-10V
						50°	1342lm	711lm	DALI
	15W	36V	350mA	90	4000K	15°	1426lm	695lm	ON-OFF
						24°	1426lm	860lm	TRIAC
						36°	1426lm	700lm	1-10V
						50°	1426lm	755lm	DALI

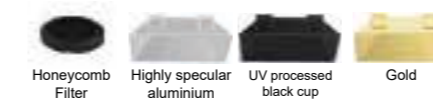
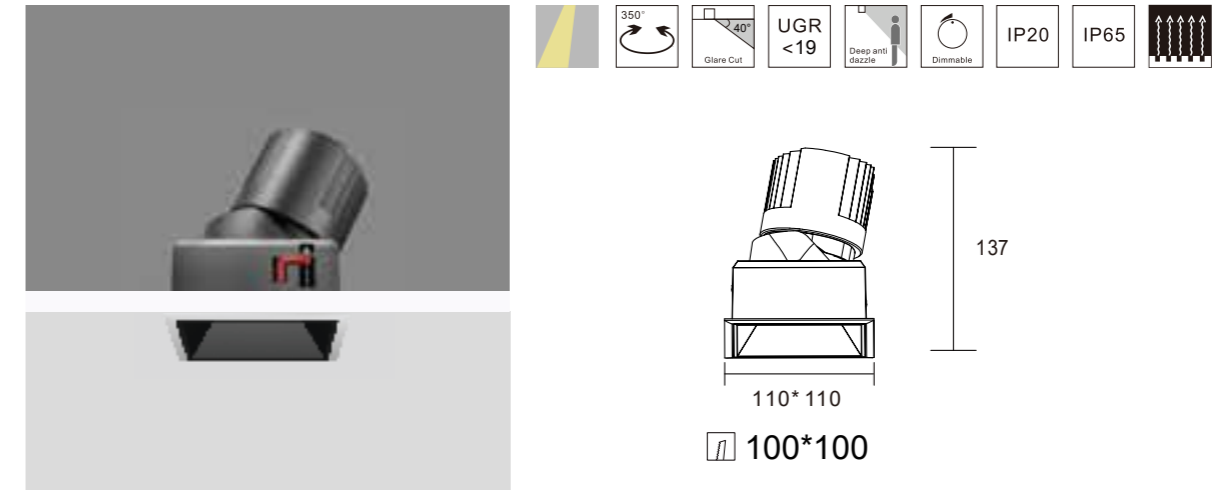
# K-CL36-4F-S1D



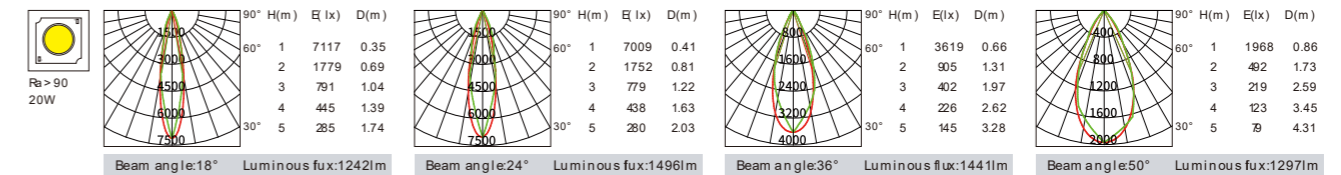
Model	Power	LED voltage	LED Current	CRI	CCT	Beam Angle	LED Output	System output	Dimming Type
K-CL36-420F-S1D	20W	36V	500mA	90	2700K	18°	1854lm	1418lm	ON-OFF
						24°	1854lm	1607lm	TRIAC
						36°	1854lm	1640lm	1-10V
						50°	1854lm	1594lm	DALI
	20W	36V	500mA	90	3000K	18°	1926lm	1475lm	ON-OFF
						24°	1926lm	1671lm	TRIAC
						36°	1926lm	1705lm	1-10V
						50°	1926lm	1657lm	DALI
	20W	36V	500mA	90	4000K	18°	2016lm	1542lm	ON-OFF
						24°	2016lm	1747lm	TRIAC
						36°	2016lm	1784lm	1-10V
						50°	2016lm	1733lm	DALI



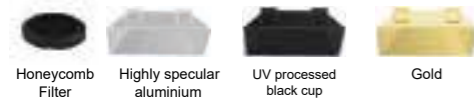
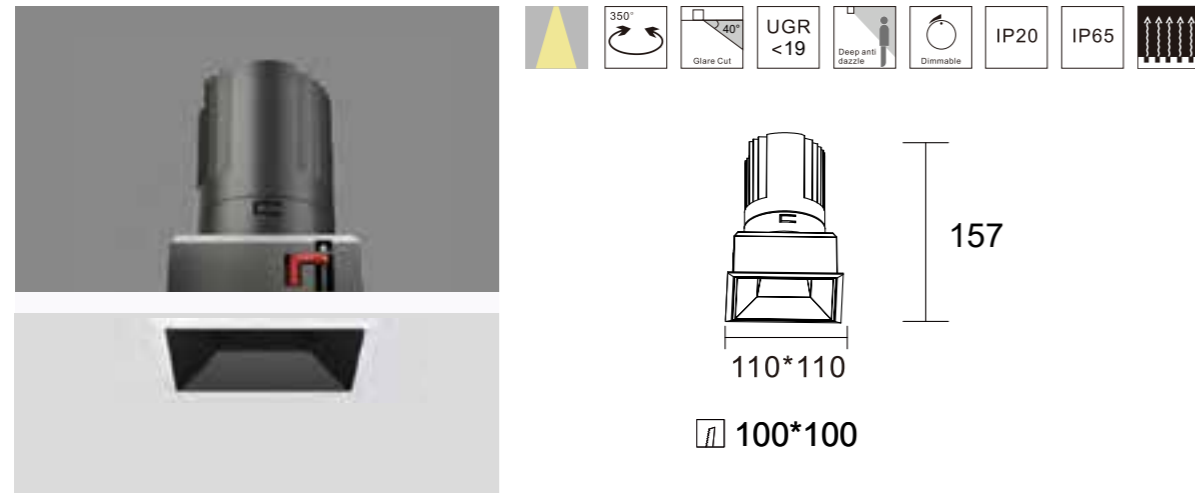
# K-CL36-4T-S1D



Model	Power	LED voltage	LED Current	CRI	CCT	Beam Angle	LED Output	System output	Dimming Type
K-CL36-420T-S1D	20W	36V	500mA	90	2700K	18°	1854lm	1629lm	ON-OFF
						24°	1854lm	1740lm	TRIAC
						36°	1854lm	1713lm	1-10V
						50°	1854lm	1625lm	DALI
	20W	36V	500mA	90	3000K	18°	1926lm	1693lm	ON-OFF
						24°	1926lm	1810lm	TRIAC
						36°	1926lm	1781lm	1-10V
						50°	1926lm	1691lm	DALI
	20W	36V	500mA	90	4000K	18°	2016lm	1772lm	ON-OFF
						24°	2016lm	1893lm	TRIAC
						36°	2016lm	1862lm	1-10V
						50°	2016lm	1768lm	DALI

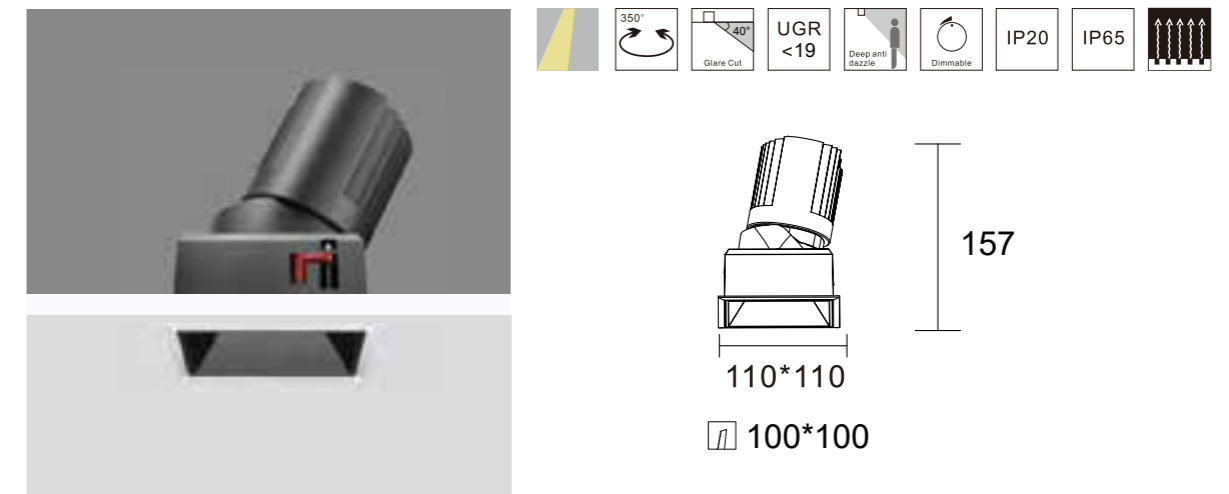


# K-CL36-4F-S1D

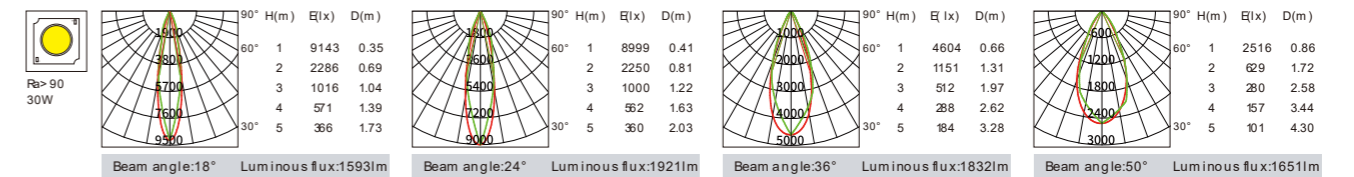


Model	Power	LED voltage	LED Current	CRI	CCT	Beam Angle	LED Output	System output	Dimming Type
K-CL36-425F-S1D	25W	36V	600mA	90	2700K	18°	2225lm	1559lm	ON-OFF
						24°	2225lm	1787lm	TRIAC
						36°	2225lm	1811lm	1-10V
						50°	2225lm	1757lm	DALI
K-CL36-425T-S1D	25W	36V	600mA	90	3000K	18°	2311lm	1620lm	ON-OFF
						24°	2311lm	1857lm	TRIAC
						36°	2311lm	1882lm	1-10V
						50°	2311lm	1825lm	DALI
	25W	36V	600mA	90	4000K	18°	2419lm	1695lm	ON-OFF
						24°	2419lm	1943lm	TRIAC
						36°	2419lm	1969lm	1-10V
						50°	2419lm	1910lm	DALI

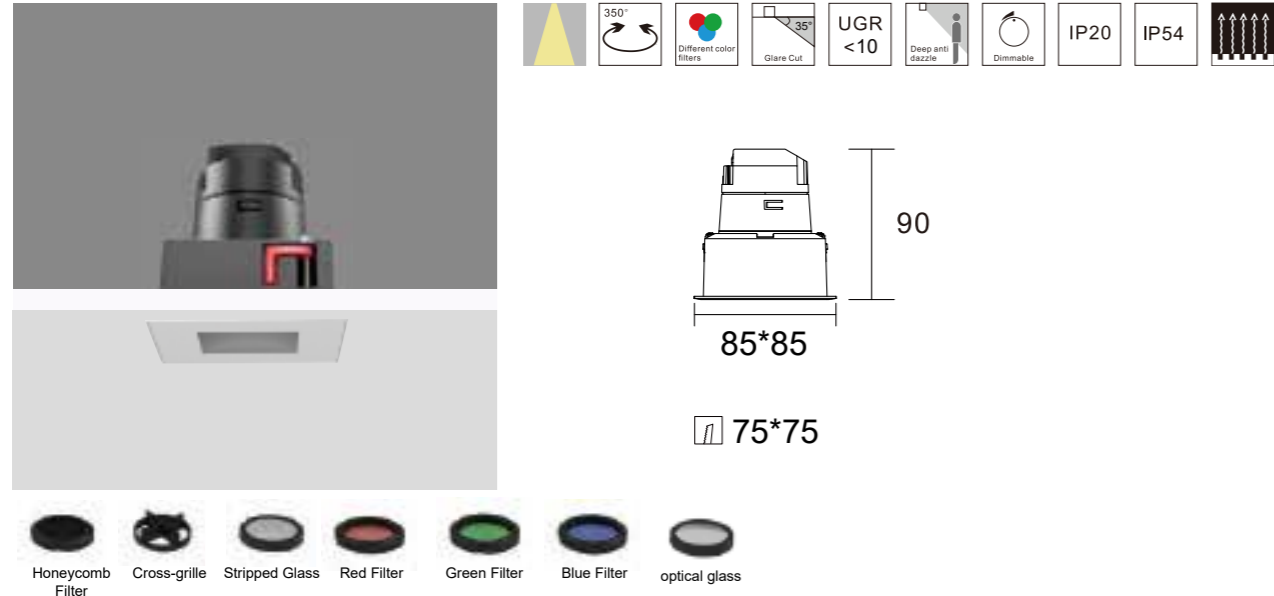
# K-CL36-4T-S1D



Model	Power	LED voltage	LED Current	CRI	CCT	Beam Angle	LED Output	System output	Dimming Type
K-CL36-430F-S1D	30W	36V	700mA	90	2700K	18°	2595lm	1803lm	ON-OFF
						24°	2595lm	2151lm	TRIAC
						36°	2595lm	2088lm	1-10V
						50°	2595lm	2000lm	DALI
K-CL36-430T-S1D	30W	36V	700mA	90	3000K	18°	2696lm	1876lm	ON-OFF
						24°	2696lm	2236lm	TRIAC
						36°	2696lm	2171lm	1-10V
						50°	2696lm	2079lm	DALI
	30W	36V	700mA	90	4000K	18°	2822lm	1961lm	ON-OFF
						24°	2822lm	2339lm	TRIAC
						36°	2822lm	2257lm	1-10V
						50°	2822lm	2175lm	DALI

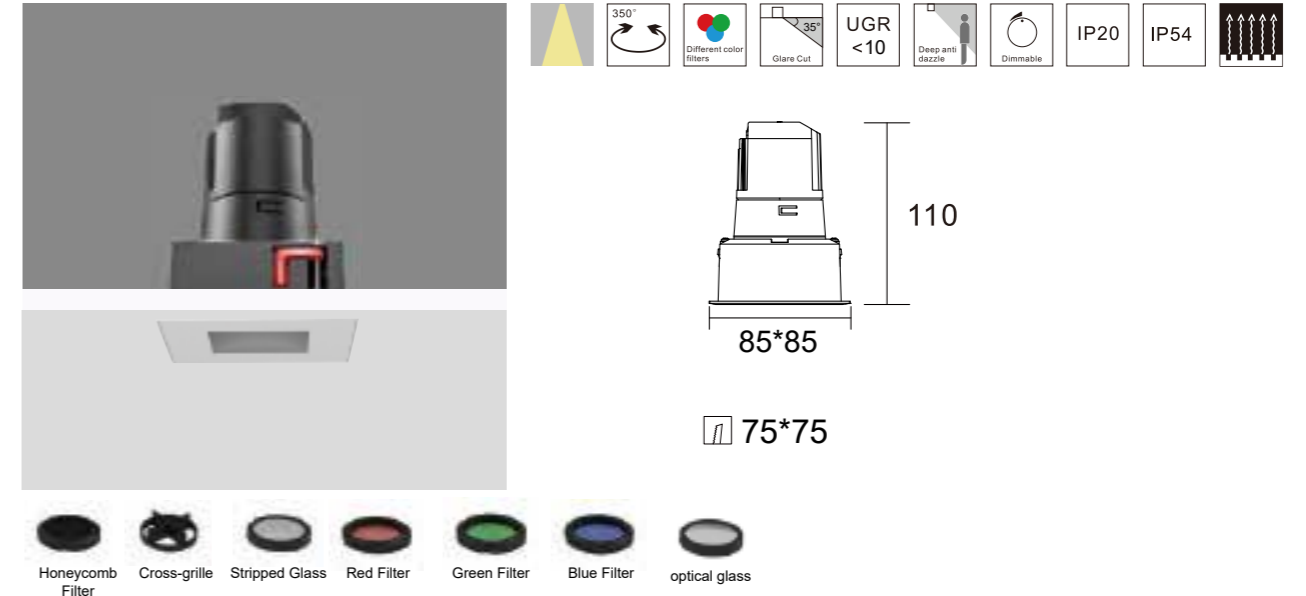


# K-CL36-3F-S1Q



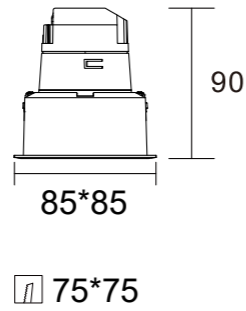
Model	Power	LED voltage	LED Current	CRI	CCT	Beam Angle	LED Output	System output	Dimming Type
K-CL36-305F-S1Q	5W	36V	120mA	90	2700K	11°	445lm	249lm	ON-OFF TRIAC 1-10V DALI
						15°	445lm	244lm	
						18°	445lm	246lm	
						24°	445lm	337lm	
						36°	445lm	310lm	
	50°	445lm	333lm						
	5W	36V	120mA	90	3000K	11°	462lm	259lm	ON-OFF TRIAC 1-10V DALI
						15°	462lm	254lm	
						18°	462lm	256lm	
						24°	462lm	350lm	
						36°	462lm	322lm	
	50°	462lm	346lm						
	5W	36V	120mA	90	4000K	11°	484lm	271lm	ON-OFF TRIAC 1-10V DALI
						15°	484lm	266lm	
						18°	484lm	268lm	
24°						484lm	366lm		
36°						484lm	337lm		
50°	484lm	362lm							
K-CL36-308F-S1Q	8W	36V	200mA	90	2700K	11°	741lm	323lm	ON-OFF TRIAC 1-10V DALI
						15°	741lm	313lm	
						18°	741lm	308lm	
						24°	741lm	422lm	
						36°	741lm	390lm	
	50°	741lm	418lm						
	8W	36V	200mA	90	3000K	11°	770lm	336lm	ON-OFF TRIAC 1-10V DALI
						15°	770lm	326lm	
						18°	770lm	321lm	
						24°	770lm	439lm	
						36°	770lm	406lm	
	50°	770lm	435lm						
	8W	36V	200mA	90	4000K	11°	806lm	351lm	ON-OFF TRIAC 1-10V DALI
						15°	806lm	341lm	
						18°	806lm	336lm	
24°						806lm	459lm		
36°						806lm	424lm		
50°	806lm	455lm							

# K-CL36-3F-S1Q



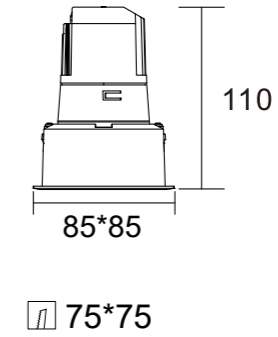
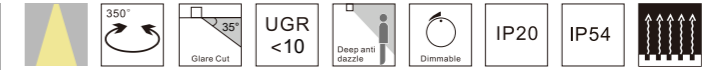
Model	Power	LED voltage	LED Current	CRI	CCT	Beam Angle	LED Output	System output	Dimming Type
K-CL36-310F-S1Q	10W	36V	250mA	90	2700K	11°	927lm	360lm	ON-OFF TRIAC 1-10V DALI
						15°	927lm	365lm	
						18°	927lm	367lm	
						24°	927lm	504lm	
						36°	927lm	463lm	
	50°	927lm	499lm						
	10W	36V	250mA	90	3000K	11°	963lm	374lm	ON-OFF TRIAC 1-10V DALI
						15°	963lm	380lm	
						18°	963lm	382lm	
						24°	963lm	524lm	
						36°	963lm	481lm	
	50°	963lm	519lm						
	10W	36V	250mA	90	4000K	11°	1008lm	391lm	ON-OFF TRIAC 1-10V DALI
						15°	1008lm	397lm	
						18°	1008lm	399lm	
24°						1008lm	548lm		
36°						1008lm	503lm		
50°	1008lm	543lm							
K-CL36-312F-S1Q	12W	36V	300mA	90	2700K	15°	1112lm	446lm	ON-OFF TRIAC 1-10V DALI
						18°	1112lm	481lm	
						24°	1112lm	651lm	
						36°	1112lm	593lm	
						50°	1112lm	638lm	
	12W	36V	300mA	90	3000K	15°	1155lm	464lm	ON-OFF TRIAC 1-10V DALI
						18°	1155lm	499lm	
						24°	1155lm	677lm	
						36°	1155lm	616lm	
						50°	1155lm	663lm	
	12W	36V	300mA	90	4000K	15°	1209lm	485lm	ON-OFF TRIAC 1-10V DALI
						18°	1209lm	522lm	
						24°	1209lm	708lm	
						36°	1209lm	644lm	
						50°	1209lm	693lm	

# K-CL36-3F-S1P



Model	Power	LED voltage	LED Current	CRI	CCT	Beam Angle	LED Output	System output	Dimming Type
K-CL36-305F-S1P	5W	36V	120mA	90	2700K	11°	445lm	249lm	ON-OFF TRIAC 1-10V DALI
						15°	445lm	244lm	
						18°	445lm	246lm	
						24°	445lm	337lm	
						36°	445lm	310lm	
	50°	445lm	333lm						
	5W	36V	120mA	90	3000K	11°	462lm	259lm	ON-OFF TRIAC 1-10V DALI
						15°	462lm	254lm	
						18°	462lm	256lm	
						24°	462lm	350lm	
						36°	462lm	322lm	
	50°	462lm	346lm						
	5W	36V	120mA	90	4000K	11°	484lm	271lm	ON-OFF TRIAC 1-10V DALI
						15°	484lm	266lm	
						18°	484lm	268lm	
24°						484lm	366lm		
36°						484lm	337lm		
50°	484lm	362lm							
K-CL36-308F-S1P	8W	36V	200mA	90	2700K	11°	741lm	323lm	ON-OFF TRIAC 1-10V DALI
						15°	741lm	313lm	
						18°	741lm	308lm	
						24°	741lm	422lm	
						36°	741lm	390lm	
	50°	741lm	418lm						
	8W	36V	200mA	90	3000K	11°	770lm	336lm	ON-OFF TRIAC 1-10V DALI
						15°	770lm	326lm	
						18°	770lm	321lm	
						24°	770lm	439lm	
						36°	770lm	406lm	
	50°	770lm	435lm						
	8W	36V	200mA	90	4000K	11°	806lm	351lm	ON-OFF TRIAC 1-10V DALI
						15°	806lm	341lm	
						18°	806lm	336lm	
24°						806lm	459lm		
36°						806lm	424lm		
50°	806lm	455lm							

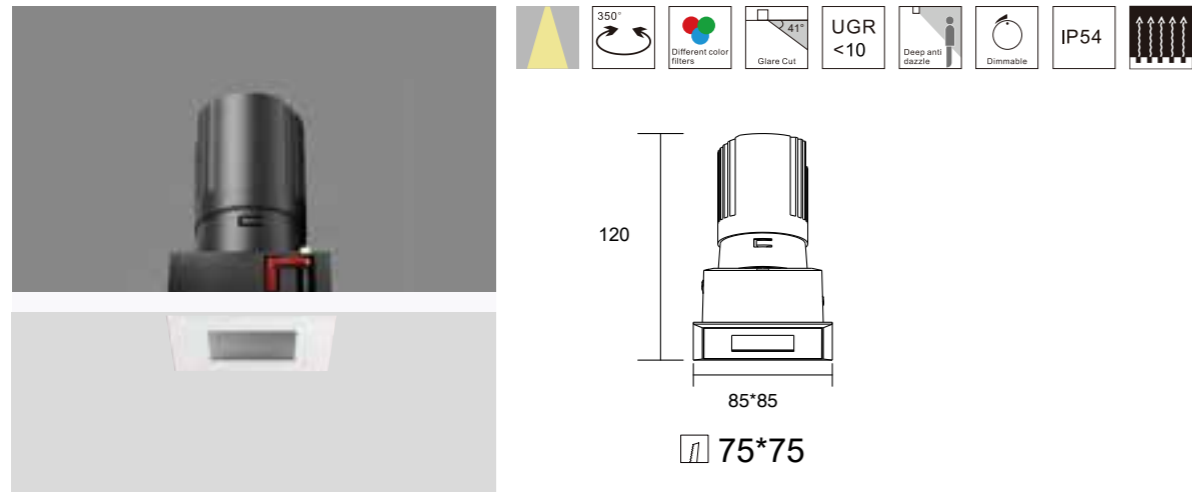
# K-CL36-3F-S1P



Model	Power	LED voltage	LED Current	CRI	CCT	Beam Angle	LED Output	System output	Dimming Type
K-CL36-310F-S1P	10W	36V	250mA	90	2700K	11°	927lm	360lm	ON-OFF TRIAC 1-10V DALI
						15°	927lm	365lm	
						18°	927lm	367lm	
						24°	927lm	504lm	
						36°	927lm	463lm	
	50°	927lm	499lm						
	10W	36V	250mA	90	3000K	11°	963lm	374lm	ON-OFF TRIAC 1-10V DALI
						15°	963lm	380lm	
						18°	963lm	382lm	
						24°	963lm	524lm	
						36°	963lm	481lm	
	50°	963lm	519lm						
	10W	36V	250mA	90	4000K	11°	1008lm	391lm	ON-OFF TRIAC 1-10V DALI
						15°	1008lm	397lm	
						18°	1008lm	399lm	
24°						1008lm	548lm		
36°						1008lm	503lm		
50°	1008lm	543lm							
K-CL36-312F-S1P	12W	36V	300mA	90	2700K	15°	1112lm	446lm	ON-OFF TRIAC 1-10V DALI
						18°	1112lm	481lm	
						24°	1112lm	651lm	
						36°	1112lm	593lm	
						50°	1112lm	638lm	
	12W	36V	300mA	90	3000K	15°	1155lm	464lm	ON-OFF TRIAC 1-10V DALI
						18°	1155lm	499lm	
						24°	1155lm	677lm	
						36°	1155lm	616lm	
						50°	1155lm	663lm	
	12W	36V	300mA	90	4000K	15°	1209lm	485lm	ON-OFF TRIAC 1-10V DALI
						18°	1209lm	522lm	
						24°	1209lm	708lm	
						36°	1209lm	644lm	
						50°	1209lm	693lm	

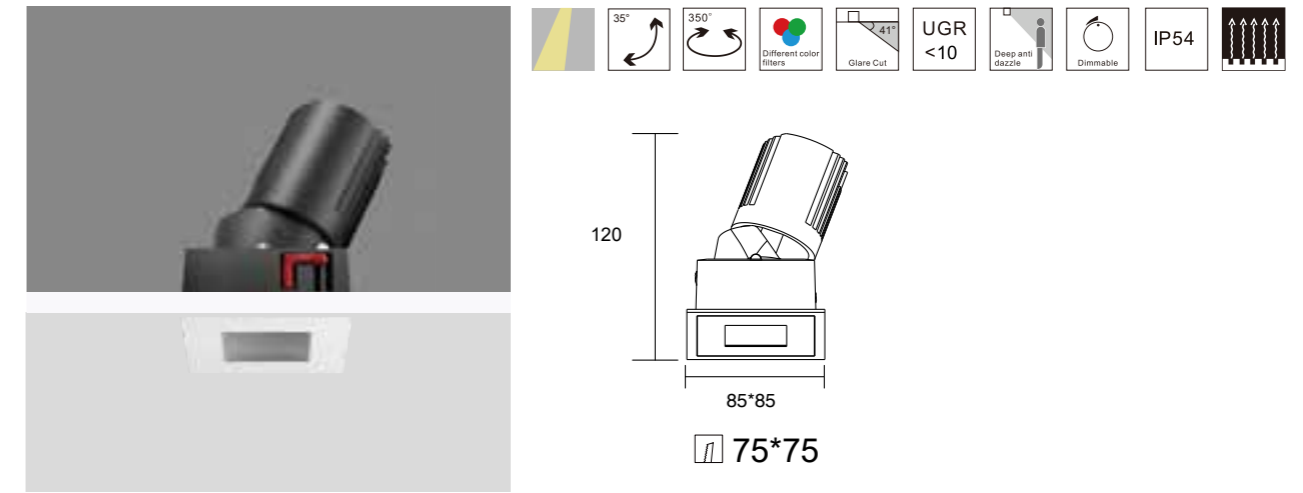


# K-CL36-3F-S1Q



Model	Power	LED voltage	LED Current	CRI	CCT	Beam Angle	LED Output	System output	Dimming Type
K-CL36-315F-S1Q	15W	36V	350mA	90	2700K	15°	1246lm	589lm	ON-OFF
						24°	1246lm	670lm	TRIAC
						36°	1246lm	697lm	1-10V
						50°	1246lm	620lm	DALI
	15W	36V	350mA	90	3000K	15°	1342lm	635lm	ON-OFF
						24°	1342lm	722lm	TRIAC
						36°	1342lm	751lm	1-10V
						50°	1342lm	668lm	DALI
	15W	36V	350mA	90	4000K	15°	1426lm	674lm	ON-OFF
						24°	1426lm	767lm	TRIAC
						36°	1426lm	798lm	1-10V
						50°	1426lm	709lm	DALI

# K-CL36-3T-S1Q

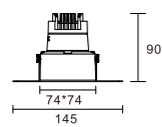


Model	Power	LED voltage	LED Current	CRI	CCT	Beam Angle	LED Output	System output	Dimming Type
K-CL36-315T-S1Q	15W	36V	350mA	90	2700K	15°	1246lm	589lm	ON-OFF
						24°	1246lm	670lm	TRIAC
						36°	1246lm	697lm	1-10V
						50°	1246lm	620lm	DALI
	15W	36V	350mA	90	3000K	15°	1342lm	635lm	ON-OFF
						24°	1342lm	722lm	TRIAC
						36°	1342lm	751lm	1-10V
						50°	1342lm	668lm	DALI
	15W	36V	350mA	90	4000K	15°	1426lm	674lm	ON-OFF
						24°	1426lm	767lm	TRIAC
						36°	1426lm	798lm	1-10V
						50°	1426lm	709lm	DALI

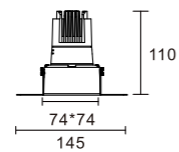
# CL36 Series



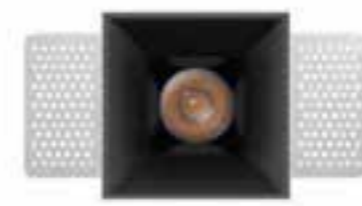
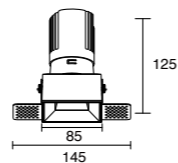
**K-CL36-3F-S3D**  
 Power: 5W/8W  
 Cutout: 75\*75mm  
 Height: 90mm



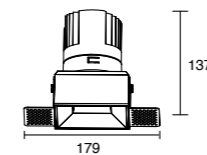
**K-CL36-3F-S3D**  
 Power: 10W/12W  
 Cutout: 75\*75mm  
 Height: 110mm



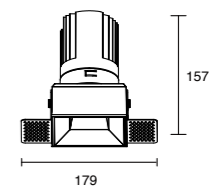
**K-CL36-3F-S3D**  
 Power: 15W  
 Cutout: 75\*75mm  
 Height: 125mm



**K-CL36-4F-S3D**  
 Power: 20W  
 Cutout: 100\*100mm  
 Height: 137mm



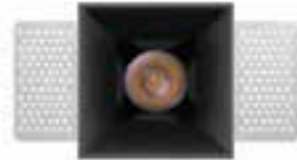
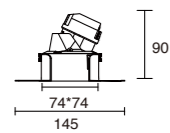
**K-CL36-4F-S3D**  
 Power: 25W/30W  
 Cutout: 100\*100mm  
 Height: 157mm



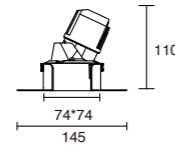
# CL36 Series



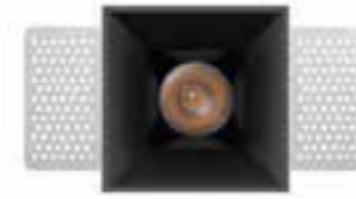
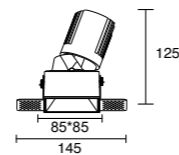
**K-CL36-3T-S3D**  
 Power: 5W/8W  
 Cutout: 75\*75mm  
 Height: 90mm



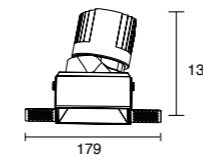
**K-CL36-3T-S3D**  
 Power: 10W/12W  
 Cutout: 75\*75mm  
 Height: 110mm



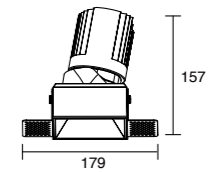
**K-CL36-3T-S3D**  
 Power: 15W  
 Cutout: 75\*75mm  
 Height: 125mm



**K-CL36-4T-S3D**  
 Power: 20W  
 Cutout: 100\*100mm  
 Height: 137mm



**K-CL36-4T-S3D**  
 Power: 25W/30W  
 Cutout: 100\*100mm  
 Height: 157mm



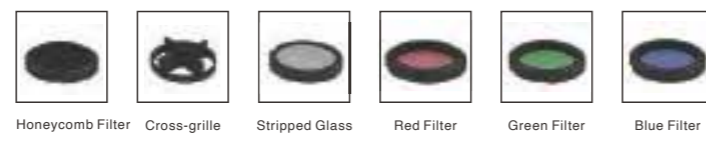
# CL36 Series

Model	K-CL36-3F-S3D	K-CL36-3F-S3D	K-CL38-3F-S3D	K-CL38-4F-S3D	K-CL38-4F-S3D		K-CL36-3F-S3Q	K-CL36-3F-S3Q	K-CL38-3F-S3Q	K-CL36-3F-S3P	K-CL36-3F-S3P
Product Photo											
Dimension(mm)											
Cutout(mm)	75*75	75*75	75*75	100*100	100*100		75*75	75*75	75*75	75*75	75*75
Wattage	5W/8W	10W/12W	15W	20W/25W	30W		5W/8W	10W/12W	15W	5W/8W	10W/12W
CCT	2700K 3000K 4000K	2700K 3000K 4000K	2700K 3000K 4000K	2700K 3000K 3500K 4000K	2700K 3000K 3500K 4000K		2700K 3000K 4000K	2700K 3000K 4000K	2700K 3000K 4000K	2700K 3000K 4000K	2700K 3000K 4000K
CRI	>90	>90	>90	>90	>90		>90	>90	>90	>90	>90
Beam Angle	11°/15°/18°/24°/36°/50°	11°/15°/18°/24°/36°/50°	15°/24°/36°/50°	18°/24°/36°/45°	18°/24°/36°/45°		11°/15°/18°/24°/36°/50°	11°/15°/18°/24°/36°/50°	15°/24°/36°/50°	11°/15°/18°/24°/36°/50°	11°/15°/18°/24°/36°/50°
Lumen	350-460LM	520-670LM	608-755 LM	1500-1700LM	1900LM		310-410LM	410-580LM	589-798 LM	270-350LM	400-490LM
IP	IP20/IP54	IP20/IP54	IP20/IP54	IP20/IP65	IP20/IP65		IP20/IP54	IP20/IP54	IP20/IP54	IP20/IP54	IP20/IP54
Dimming	TRIAC/1-10V/DALI	TRIAC/1-10V/DALI	TRIAC/1-10V/DALI	TRIAC/1-10V/DALI	TRIAC/1-10V/DALI		TRIAC/1-10V/DALI	TRIAC/1-10V/DALI	TRIAC/1-10V/DALI	TRIAC/1-10V/DALI	TRIAC/1-10V/DALI
Accessory	Honeycomb Filter Stripped Glass Cross-grille Red Filter Green Filter Blue Filter	Honeycomb Filter Stripped Glass Cross-grille Red Filter Green Filter Blue Filter	Honeycomb Filter Stripped Glass Cross-grille Red Filter Green Filter Blue Filter				Honeycomb Filter Stripped Glass Cross-grille Red Filter Green Filter Blue Filter	Honeycomb Filter Stripped Glass Cross-grille Red Filter Green Filter Blue Filter	Honeycomb Filter Stripped Glass Cross-grille Red Filter Green Filter Blue Filter		
Reflector Colour	UV processed black cup Highly specular aluminium White Gold	UV processed black cup Highly specular aluminium White Gold	UV processed black cup Highly specular aluminium White Gold	UV processed black cup Highly specular aluminium White Gold	UV processed black cup Highly specular aluminium White Gold				UV processed black cup Highly specular aluminium White Gold		
Colour	White+Iron gray	White+Iron gray	White+Iron gray	White+Iron gray	White+Iron gray		White+Iron gray	White+Iron gray	White+Iron gray	White+Iron gray	White+Iron gray

## Reflecting Accessories



## Optical Accessories



# CL36 Series

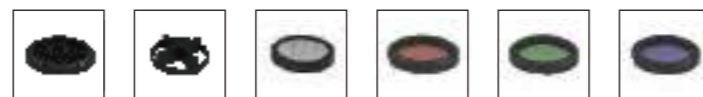
Model	K-CL36-3T-S3D	K-CL36-3T-S3D	K-CL38-3T-S3D		K-CL36-4T-S3D	K-CL36-4T-S3D	K-CL38-3T-S3Q
Product Photo							
Dimension(mm)							
Cutout(mm)	75*75	75*75	75*75		100*100	100*100	75*75
Wattage	5W/8W	10W/12W	15W		20W/25W	30W	15W
CCT	2700K 3000K 4000K	2700K 3000K 4000K	2700K 3000K 4000K		2700K 3000K 3500K 4000K	2700K 3000K 3500K 4000K	2700K 3000K 4000K
CRI	>90	>90	>90		>90	>90	>90
Beam Angle	11°/15°/18°/24°/36°/50°	11°/15°/18°/24°/36°/50°	15°/24°/36°/50°		18°/24°/36°/45°	18°/24°/36°/45°	15°/24°/36°/50°
Lumen	350-460LM	520-670LM	608-755 LM		1500-1700LM	1900LM	589-798 LM
IP	IP20/IP54	IP20/IP54	IP20/IP54		IP20/IP65	IP20/IP65	IP20/IP54
Dimming	TRIAC/1-10V/DALI	TRIAC/1-10V/DALI	TRIAC/1-10V/DALI		TRIAC/1-10V/DALI	TRIAC/1-10V/DALI	TRIAC/1-10V/DALI
Accessory	Honeycomb Filter Stripped Glass Cross-grille Red Filter Green Filter Blue Filter	Honeycomb Filter Stripped Glass Cross-grille Red Filter Green Filter Blue Filter	Honeycomb Filter Stripped Glass Cross-grille Red Filter Green Filter Blue Filter				Honeycomb Filter Stripped Glass Cross-grille Red Filter Green Filter Blue Filter
Reflector Colour	UV processed black cup Highly specular aluminium White Gold	UV processed black cup Highly specular aluminium White Gold	UV processed black cup Highly specular aluminium White Gold		UV processed black cup Highly specular aluminium White Gold	UV processed black cup Highly specular aluminium White Gold	UV processed black cup Highly specular aluminium White Gold
Colour	White+Iron gray	White+Iron gray	White+Iron gray		White+Iron gray	White+Iron gray	White+Iron gray

## Reflecting Accessories



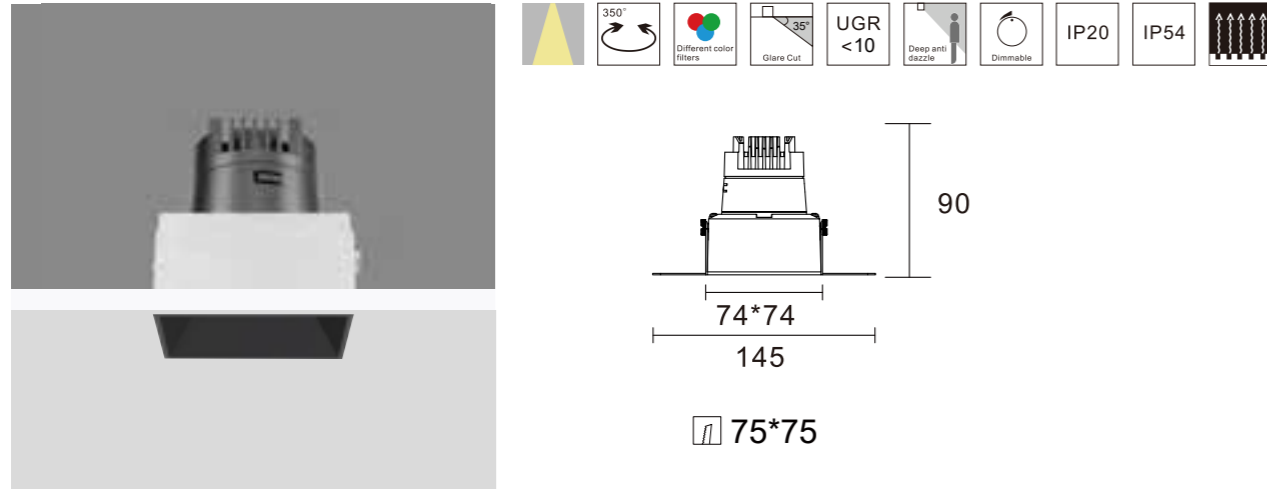
Highly specular aluminium  
UV processed black cup  
Gold  
White

## Optical Accessories

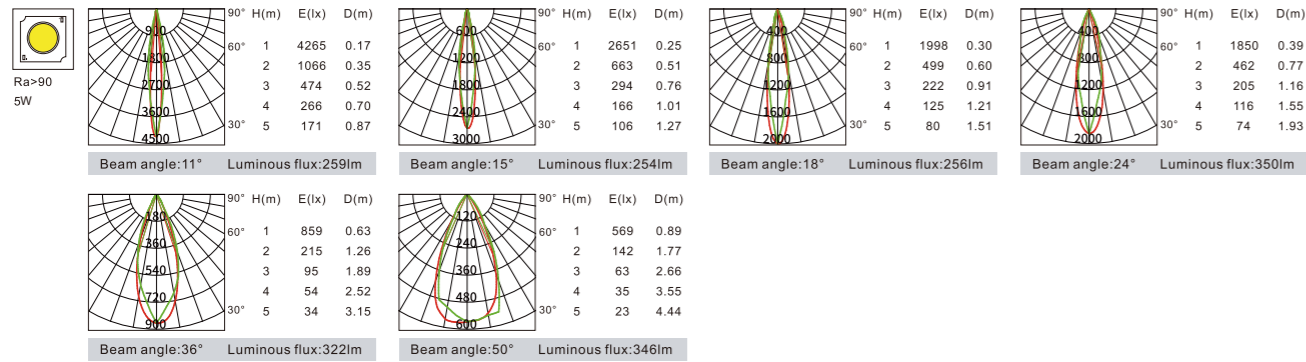


Honeycomb Filter  
Cross-grille  
Stripped Glass  
Red Filter  
Green Filter  
Blue Filter

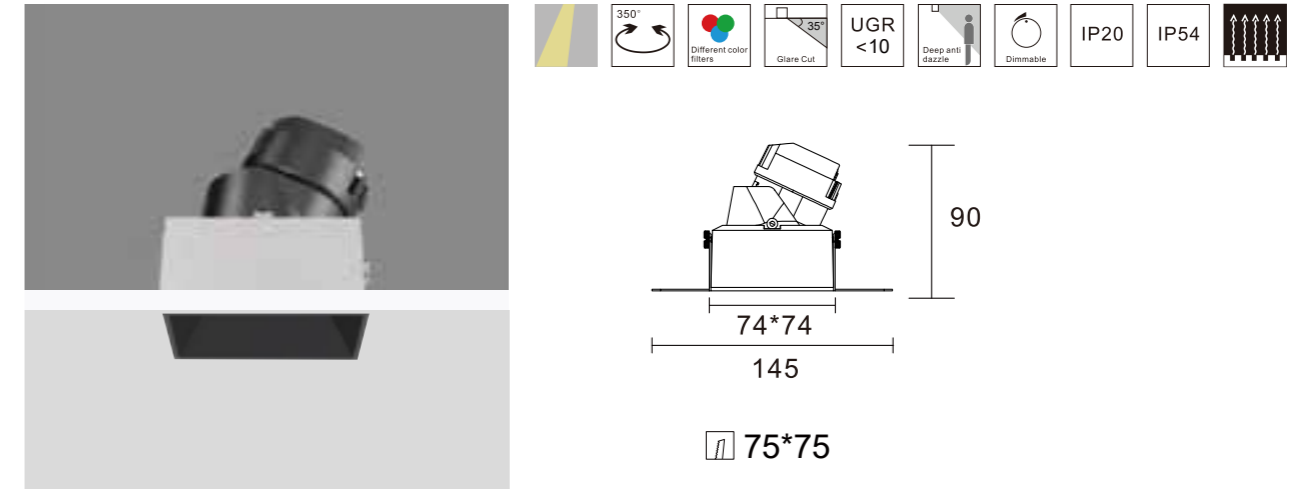
# K-CL36-3F-S3D



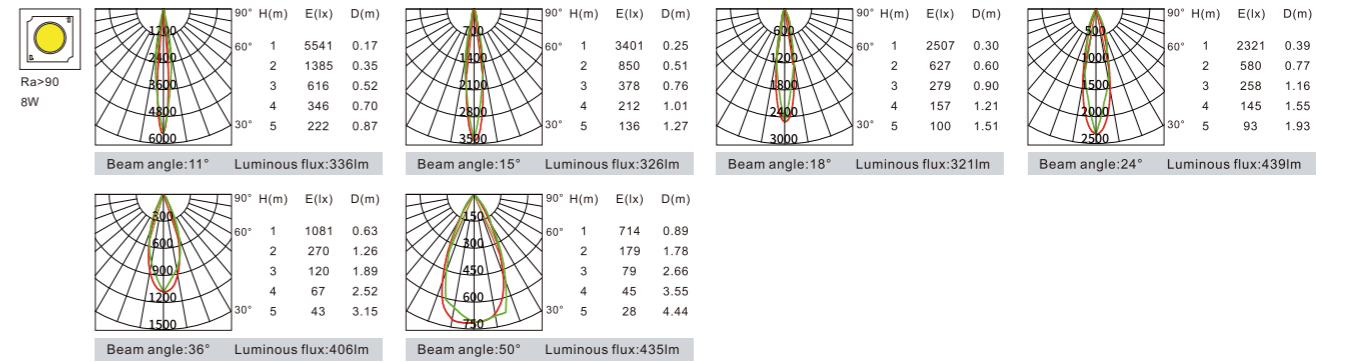
Model	Power	LED voltage	LED Current	CRI	CCT	Beam Angle	LED Output	System output	Dimming Type
K-CL36-305F-S3D	5W	36V	120mA	90	2700K	11°	445lm	249lm	ON-OFF TRIAC 1-10V DALI
						15°	445lm	244lm	
						18°	445lm	246lm	
						24°	445lm	337lm	
						36°	445lm	310lm	
K-CL36-305T-S3D	5W	36V	120mA	90	3000K	11°	462lm	259lm	ON-OFF TRIAC 1-10V DALI
						15°	462lm	254lm	
						18°	462lm	256lm	
						24°	462lm	350lm	
						36°	462lm	322lm	
K-CL36-305T-S3D	5W	36V	120mA	90	4000K	11°	484lm	271lm	ON-OFF TRIAC 1-10V DALI
						15°	484lm	266lm	
						18°	484lm	268lm	
						24°	484lm	366lm	
						36°	484lm	337lm	
						50°	484lm	362lm	



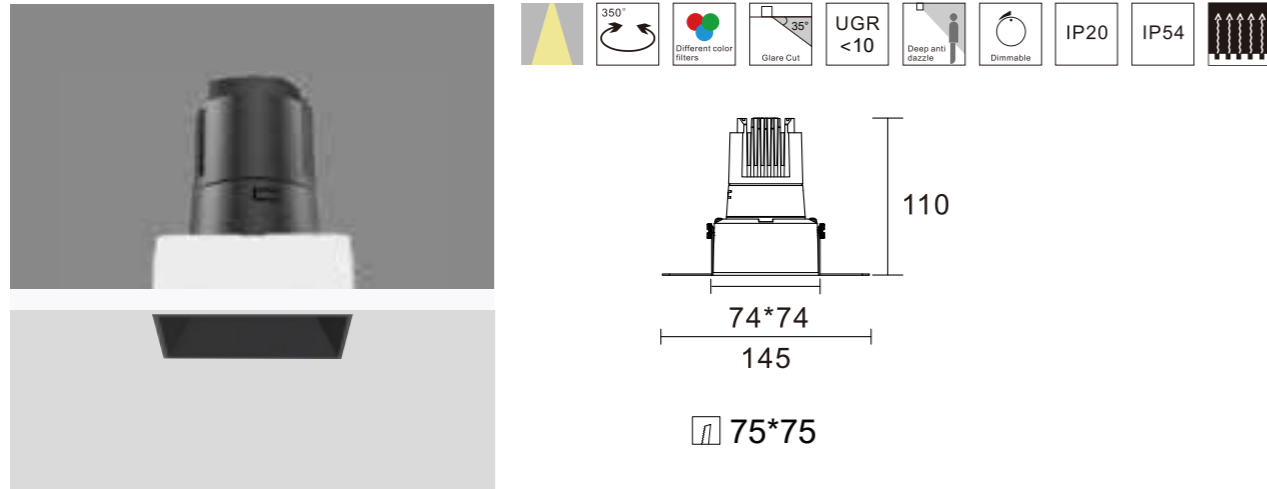
# K-CL36-3T-S3D



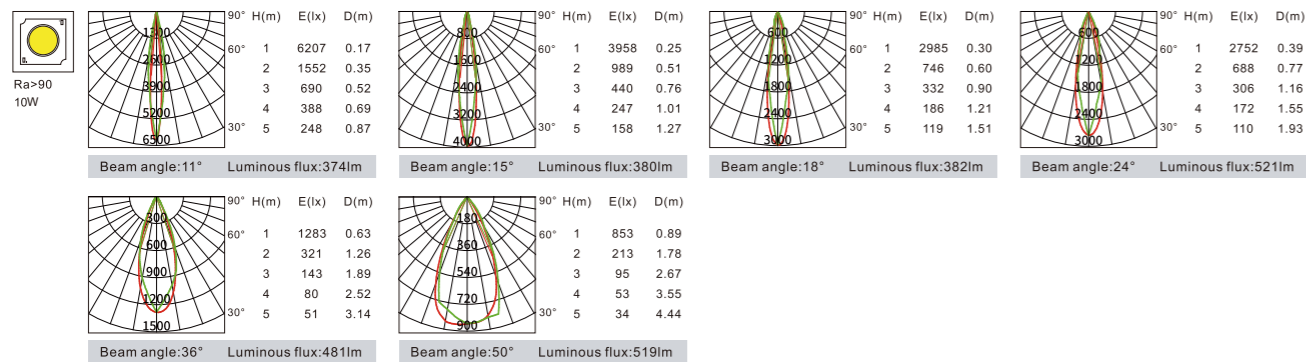
Model	Power	LED voltage	LED Current	CRI	CCT	Beam Angle	LED Output	System output	Dimming Type
K-CL36-308F-S3D	8W	36V	200mA	90	2700K	11°	741lm	323lm	ON-OFF TRIAC 1-10V DALI
						15°	741lm	313lm	
						18°	741lm	308lm	
						24°	741lm	422lm	
						36°	741lm	390lm	
K-CL36-308T-S3D	8W	36V	200mA	90	3000K	11°	770lm	336lm	ON-OFF TRIAC 1-10V DALI
						15°	770lm	326lm	
						18°	770lm	321lm	
						24°	770lm	439lm	
						36°	770lm	406lm	
K-CL36-308T-S3D	8W	36V	200mA	90	4000K	11°	806lm	351lm	ON-OFF TRIAC 1-10V DALI
						15°	806lm	341lm	
						18°	806lm	336lm	
						24°	806lm	459lm	
						36°	806lm	424lm	
						50°	806lm	455lm	



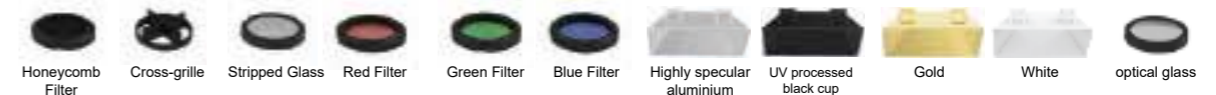
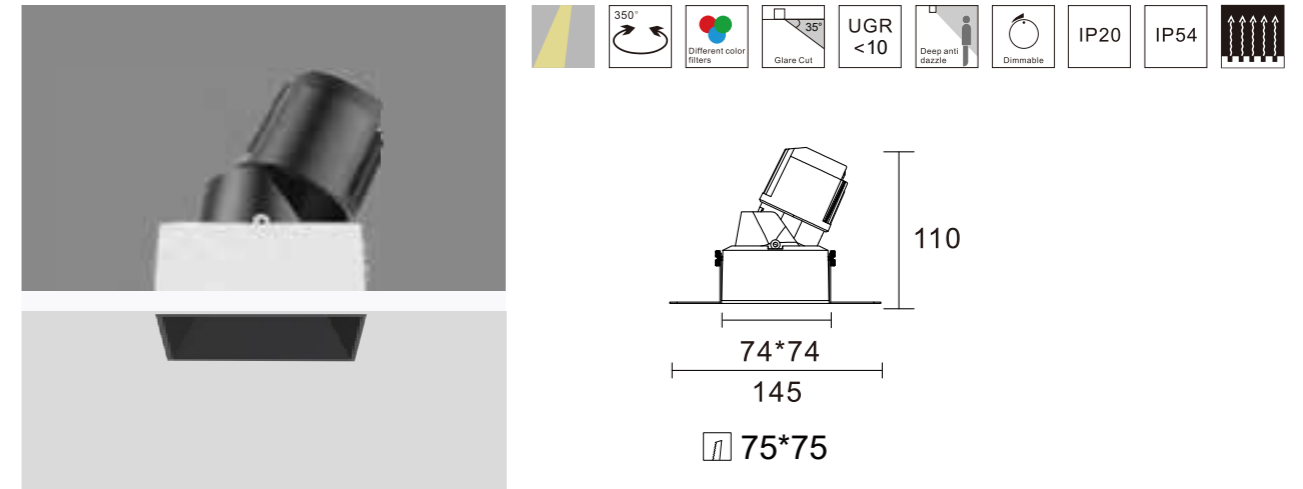
# K-CL36-3F-S3D



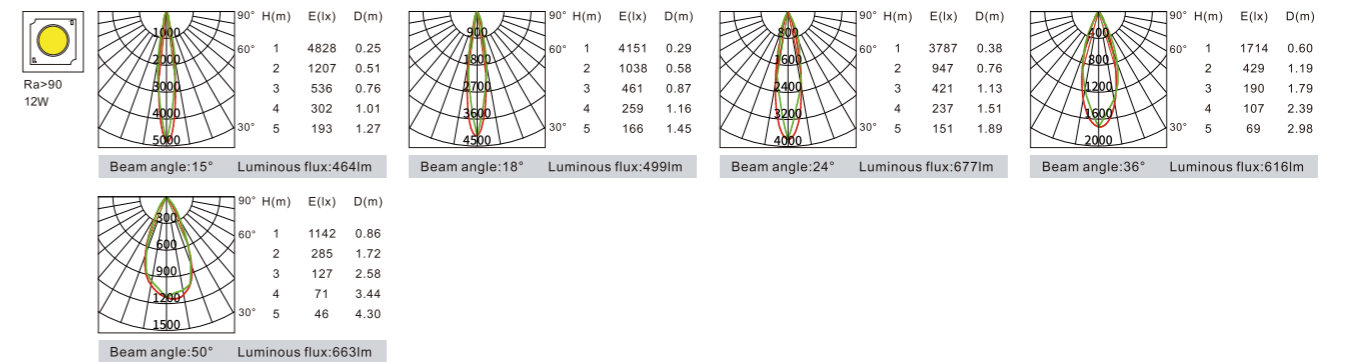
Model	Power	LED voltage	LED Current	CRI	CCT	Beam Angle	LED Output	System output	Dimming Type
K-CL36-310F-S3D	10W	36V	250mA	90	2700K	11°	927lm	360lm	ON-OFF TRIAC 1-10V DALI
						15°	927lm	365lm	
						18°	927lm	367lm	
						24°	927lm	504lm	
						36°	927lm	463lm	
K-CL36-310T-S3D	10W	36V	250mA	90	3000K	11°	963lm	374lm	ON-OFF TRIAC 1-10V DALI
						15°	963lm	380lm	
						18°	963lm	382lm	
						24°	963lm	524lm	
						36°	963lm	481lm	
K-CL36-310T-S3D	10W	36V	250mA	90	4000K	11°	1008lm	391lm	ON-OFF TRIAC 1-10V DALI
						15°	1008lm	397lm	
						18°	1008lm	399lm	
						24°	1008lm	548lm	
						36°	1008lm	503lm	
						50°	1008lm	543lm	



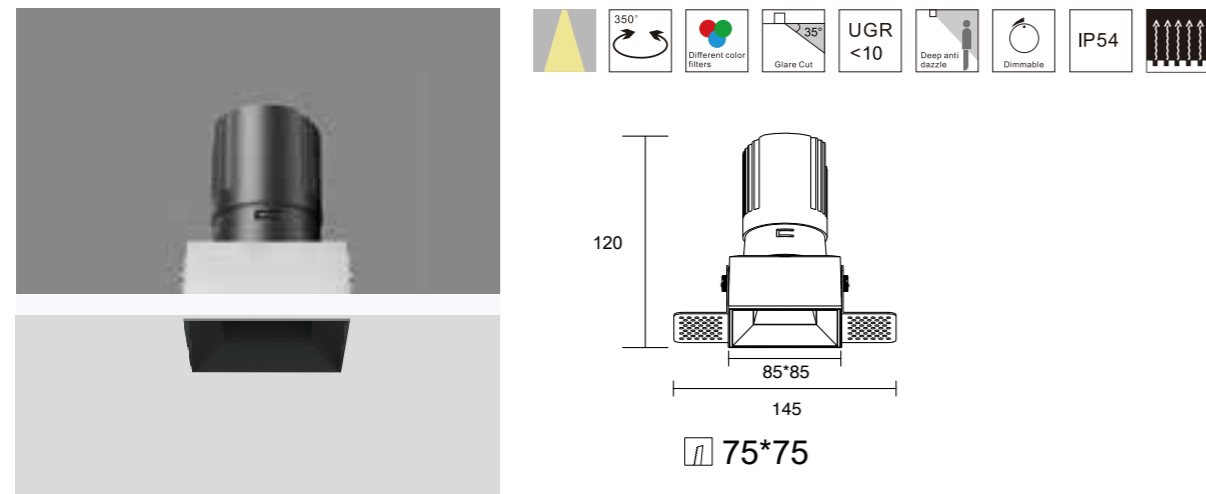
# K-CL36-3T-S3D



Model	Power	LED voltage	LED Current	CRI	CCT	Beam Angle	LED Output	System output	Dimming Type
K-CL36-312F-S3D	12W	36V	300mA	90	2700K	15°	1112lm	446lm	ON-OFF TRIAC 1-10V DALI
						18°	1112lm	484lm	
						24°	1112lm	651lm	
						36°	1112lm	593lm	
						50°	1112lm	638lm	
K-CL36-312T-S3D	12W	36V	300mA	90	3000K	15°	1155lm	464lm	ON-OFF TRIAC 1-10V DALI
						18°	1155lm	499lm	
						24°	1155lm	677lm	
						36°	1155lm	616lm	
						50°	1155lm	663lm	
K-CL36-312T-S3D	12W	36V	300mA	90	4000K	15°	1209lm	485lm	ON-OFF TRIAC 1-10V DALI
						18°	1209lm	522lm	
						24°	1209lm	708lm	
						36°	1209lm	644lm	
						50°	1209lm	693lm	

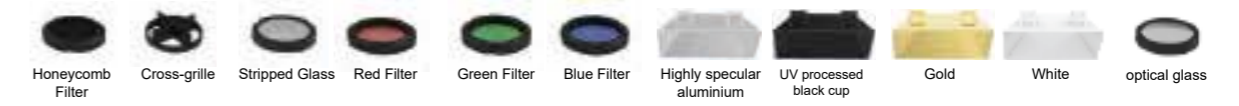
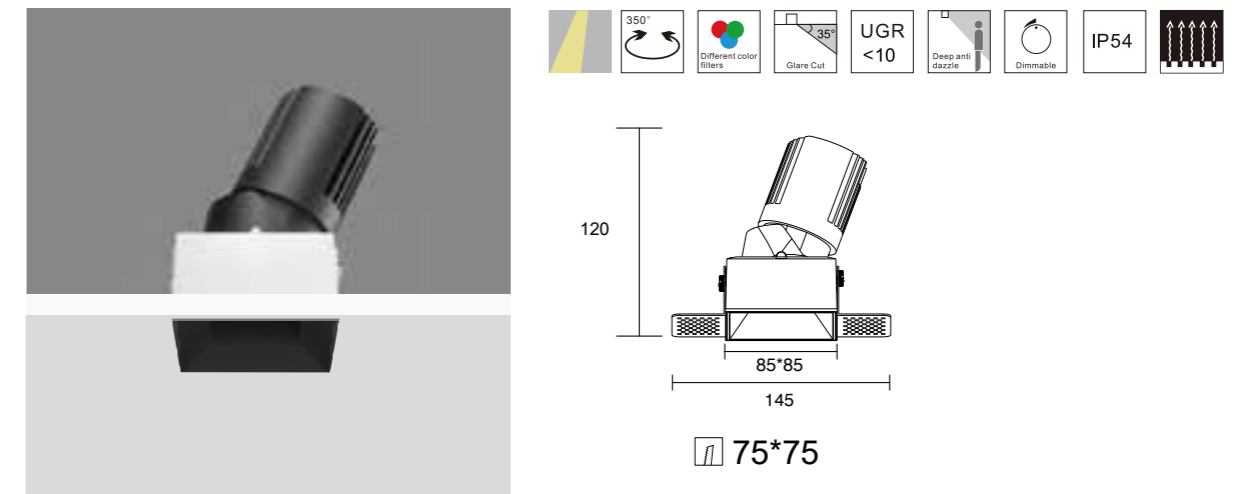


# K-CL36-3F-S3D



Model	Power	LED voltage	LED Current	CRI	CCT	Beam Angle	LED Output	System output	Dimming Type
K-CL36-315F-S3D	15W	36V	350mA	90	2700K	15°	1246lm	608lm	ON-OFF
						24°	1246lm	752lm	TRIAC
						36°	1246lm	611lm	1-10V
						50°	1246lm	660lm	DALI
	15W	36V	350mA	90	3000K	15°	1342lm	655lm	ON-OFF
						24°	1342lm	810lm	TRIAC
						36°	1342lm	659lm	1-10V
						50°	1342lm	711lm	DALI
	15W	36V	350mA	90	4000K	15°	1426lm	695lm	ON-OFF
						24°	1426lm	860lm	TRIAC
						36°	1426lm	700lm	1-10V
						50°	1426lm	755lm	DALI

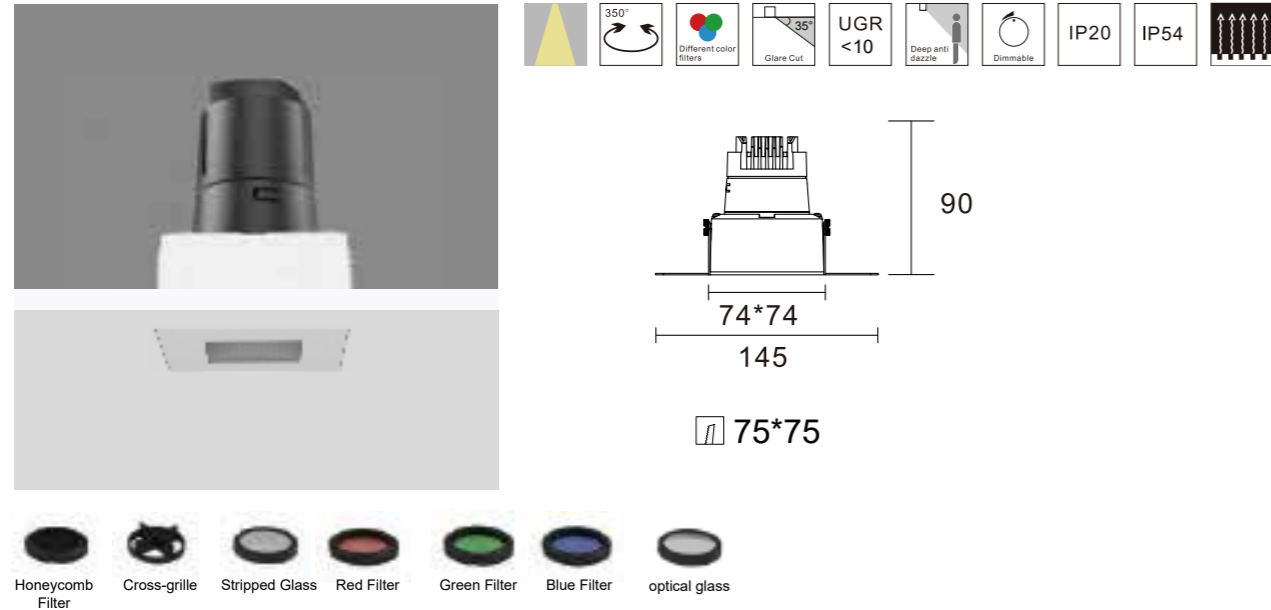
# K-CL36-3T-S3D



Model	Power	LED voltage	LED Current	CRI	CCT	Beam Angle	LED Output	System output	Dimming Type
K-CL36-315T-S3D	15W	36V	350mA	90	2700K	15°	1246lm	608lm	ON-OFF
						24°	1246lm	752lm	TRIAC
						36°	1246lm	611lm	1-10V
						50°	1246lm	660lm	DALI
	15W	36V	350mA	90	3000K	15°	1342lm	655lm	ON-OFF
						24°	1342lm	810lm	TRIAC
						36°	1342lm	659lm	1-10V
						50°	1342lm	711lm	DALI
	15W	36V	350mA	90	4000K	15°	1426lm	695lm	ON-OFF
						24°	1426lm	860lm	TRIAC
						36°	1426lm	700lm	1-10V
						50°	1426lm	755lm	DALI

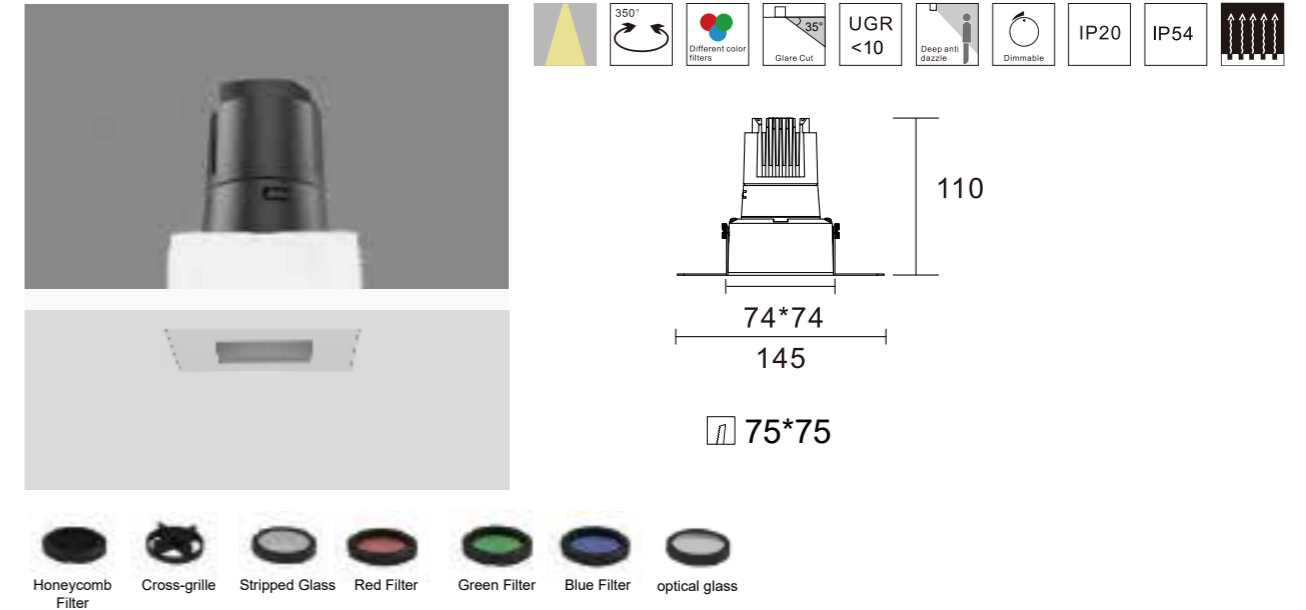


# K-CL36-3F-S3Q



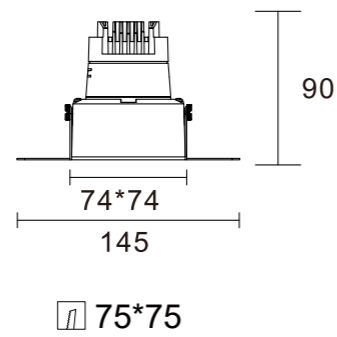
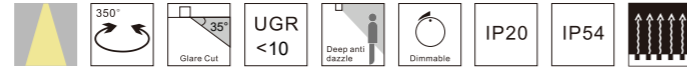
Model	Power	LED voltage	LED Current	CRI	CCT	Beam Angle	LED Output	System output	Dimming Type
K-CL36-305F-S3Q	5W	36V	120mA	90	2700K	11°	445lm	249lm	ON-OFF TRIAC 1-10V DALI
						15°	445lm	244lm	
						18°	445lm	246lm	
						24°	445lm	337lm	
						36°	445lm	310lm	
	50°	445lm	333lm						
	5W	36V	120mA	90	3000K	11°	462lm	259lm	ON-OFF TRIAC 1-10V DALI
						15°	462lm	254lm	
						18°	462lm	256lm	
						24°	462lm	350lm	
						36°	462lm	322lm	
	50°	462lm	346lm						
	5W	36V	120mA	90	4000K	11°	484lm	271lm	ON-OFF TRIAC 1-10V DALI
						15°	484lm	266lm	
						18°	484lm	268lm	
24°						484lm	366lm		
36°						484lm	337lm		
50°	484lm	362lm							
K-CL36-308F-S3Q	8W	36V	200mA	90	2700K	11°	741lm	323lm	ON-OFF TRIAC 1-10V DALI
						15°	741lm	313lm	
						18°	741lm	308lm	
						24°	741lm	422lm	
						36°	741lm	390lm	
	50°	741lm	418lm						
	8W	36V	200mA	90	3000K	11°	770lm	336lm	ON-OFF TRIAC 1-10V DALI
						15°	770lm	326lm	
						18°	770lm	321lm	
						24°	770lm	439lm	
						36°	770lm	406lm	
	50°	770lm	435lm						
	8W	36V	200mA	90	4000K	11°	806lm	351lm	ON-OFF TRIAC 1-10V DALI
						15°	806lm	341lm	
						18°	806lm	336lm	
24°						806lm	459lm		
36°						806lm	424lm		
50°	806lm	455lm							

# K-CL36-3F-S3Q



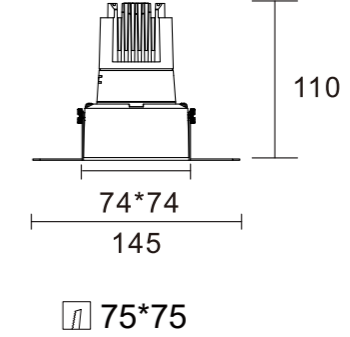
Model	Power	LED voltage	LED Current	CRI	CCT	Beam Angle	LED Output	System output	Dimming Type
K-CL36-310F-S3Q	10W	36V	250mA	90	2700K	11°	927lm	360lm	ON-OFF TRIAC 1-10V DALI
						15°	927lm	365lm	
						18°	927lm	367lm	
						24°	927lm	504lm	
						36°	927lm	463lm	
	50°	927lm	499lm						
	10W	36V	250mA	90	3000K	11°	963lm	374lm	ON-OFF TRIAC 1-10V DALI
						15°	963lm	380lm	
						18°	963lm	382lm	
						24°	963lm	524lm	
						36°	963lm	481lm	
	50°	963lm	519lm						
	10W	36V	250mA	90	4000K	11°	1008lm	391lm	ON-OFF TRIAC 1-10V DALI
						15°	1008lm	397lm	
						18°	1008lm	399lm	
24°						1008lm	548lm		
36°						1008lm	503lm		
50°	1008lm	543lm							
K-CL36-312F-S3Q	12W	36V	300mA	90	2700K	15°	1112lm	446lm	ON-OFF TRIAC 1-10V DALI
						18°	1112lm	481lm	
						24°	1112lm	651lm	
						36°	1112lm	593lm	
						50°	1112lm	638lm	
	12W	36V	300mA	90	3000K	15°	1155lm	464lm	ON-OFF TRIAC 1-10V DALI
						18°	1155lm	499lm	
						24°	1155lm	677lm	
						36°	1155lm	616lm	
						50°	1155lm	663lm	
	12W	36V	300mA	90	4000K	15°	1209lm	485lm	ON-OFF TRIAC 1-10V DALI
						18°	1209lm	522lm	
						24°	1209lm	708lm	
						36°	1209lm	644lm	
						50°	1209lm	693lm	

# K-CL36-3F-S3P



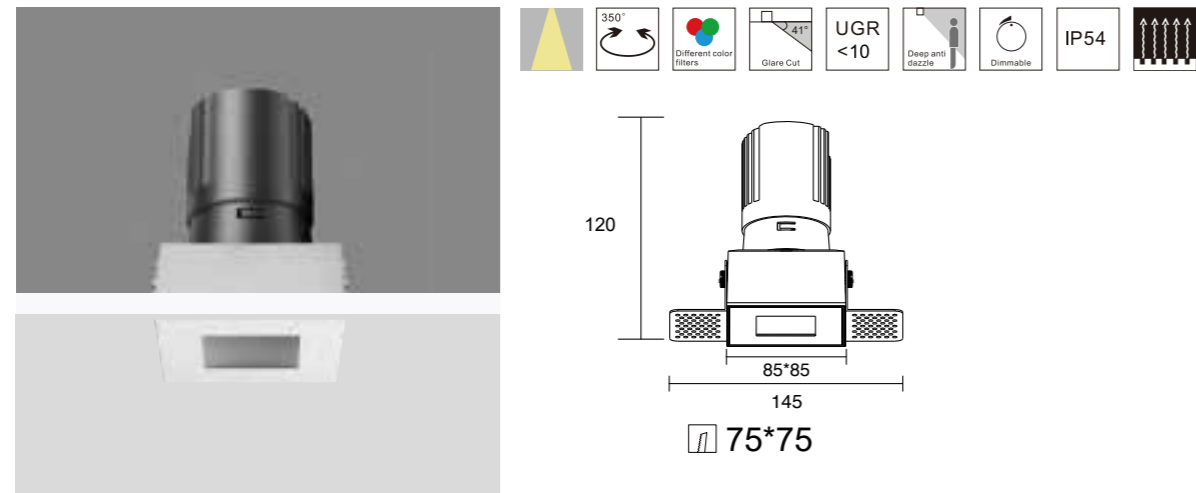
Model	Power	LED voltage	LED Current	CRI	CCT	Beam Angle	LED Output	System output	Dimming Type
K-CL36-305F-S3P	5W	36V	120mA	90	2700K	11°	445lm	249lm	ON-OFF TRIAC 1-10V DALI
						15°	445lm	244lm	
						18°	445lm	246lm	
						24°	445lm	337lm	
						36°	445lm	310lm	
	50°	445lm	333lm						
	5W	36V	120mA	90	3000K	11°	462lm	259lm	ON-OFF TRIAC 1-10V DALI
						15°	462lm	254lm	
						18°	462lm	256lm	
						24°	462lm	350lm	
						36°	462lm	322lm	
	50°	462lm	346lm						
	5W	36V	120mA	90	4000K	11°	484lm	271lm	ON-OFF TRIAC 1-10V DALI
						15°	484lm	266lm	
						18°	484lm	268lm	
24°						484lm	366lm		
36°						484lm	337lm		
50°	484lm	362lm							
K-CL36-308F-S3P	8W	36V	200mA	90	2700K	11°	741lm	323lm	ON-OFF TRIAC 1-10V DALI
						15°	741lm	313lm	
						18°	741lm	308lm	
						24°	741lm	422lm	
						36°	741lm	390lm	
	50°	741lm	418lm						
	8W	36V	200mA	90	3000K	11°	770lm	336lm	ON-OFF TRIAC 1-10V DALI
						15°	770lm	326lm	
						18°	770lm	321lm	
						24°	770lm	439lm	
36°						770lm	406lm		
50°	770lm	435lm							
8W	36V	200mA	90	4000K	11°	806lm	351lm	ON-OFF TRIAC 1-10V DALI	
					15°	806lm	341lm		
					18°	806lm	336lm		
					24°	806lm	459lm		
					36°	806lm	424lm		
50°	806lm	455lm							

# K-CL36-3F-S3P



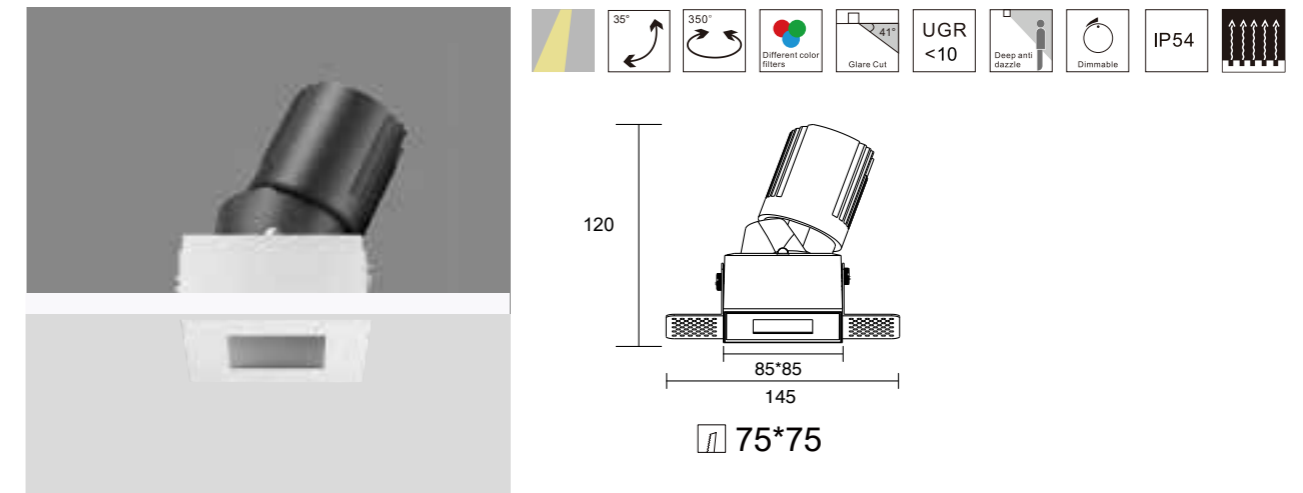
Model	Power	LED voltage	LED Current	CRI	CCT	Beam Angle	LED Output	System output	Dimming Type
K-CL36-310F-S3P	10W	36V	250mA	90	2700K	11°	927lm	360lm	ON-OFF TRIAC 1-10V DALI
						15°	927lm	365lm	
						18°	927lm	367lm	
						24°	927lm	504lm	
						36°	927lm	463lm	
	50°	927lm	499lm						
	10W	36V	250mA	90	3000K	11°	963lm	374lm	ON-OFF TRIAC 1-10V DALI
						15°	963lm	380lm	
						18°	963lm	382lm	
						24°	963lm	524lm	
						36°	963lm	481lm	
	50°	963lm	519lm						
	10W	36V	250mA	90	4000K	11°	1008lm	391lm	ON-OFF TRIAC 1-10V DALI
						15°	1008lm	397lm	
						18°	1008lm	399lm	
24°						1008lm	548lm		
36°						1008lm	503lm		
50°	1008lm	543lm							
K-CL36-312F-S3P	12W	36V	300mA	90	2700K	15°	1112lm	446lm	ON-OFF TRIAC 1-10V DALI
						18°	1112lm	481lm	
						24°	1112lm	651lm	
						36°	1112lm	593lm	
						50°	1112lm	638lm	
	12W	36V	300mA	90	3000K	15°	1155lm	464lm	ON-OFF TRIAC 1-10V DALI
						18°	1155lm	499lm	
						24°	1155lm	677lm	
						36°	1155lm	616lm	
						50°	1155lm	663lm	
12W	36V	300mA	90	4000K	15°	1209lm	485lm	ON-OFF TRIAC 1-10V DALI	
					18°	1209lm	522lm		
					24°	1209lm	708lm		
					36°	1209lm	644lm		
					50°	1209lm	693lm		

# K-CL36-3F-S3Q



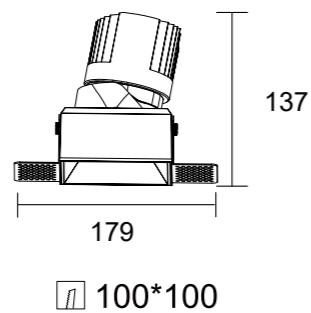
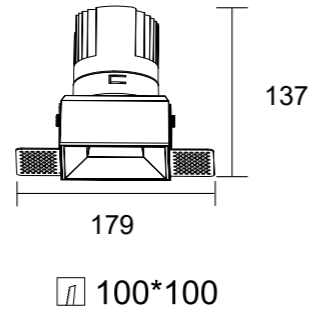
Model	Power	LED voltage	LED Current	CRI	CCT	Beam Angle	LED Output	System output	Dimming Type
K-CL36-315F-S3Q	15W	36V	350mA	90	2700K	15°	1246lm	589lm	ON-OFF
						24°	1246lm	670lm	TRIAC
						36°	1246lm	697lm	1-10V
						50°	1246lm	620lm	DALI
	15W	36V	350mA	90	3000K	15°	1342lm	635lm	ON-OFF
						24°	1342lm	722lm	TRIAC
						36°	1342lm	751lm	1-10V
						50°	1342lm	668lm	DALI
	15W	36V	350mA	90	4000K	15°	1426lm	674lm	ON-OFF
						24°	1426lm	767lm	TRIAC
						36°	1426lm	798lm	1-10V
						50°	1426lm	709lm	DALI

# K-CL36-3T-S3Q

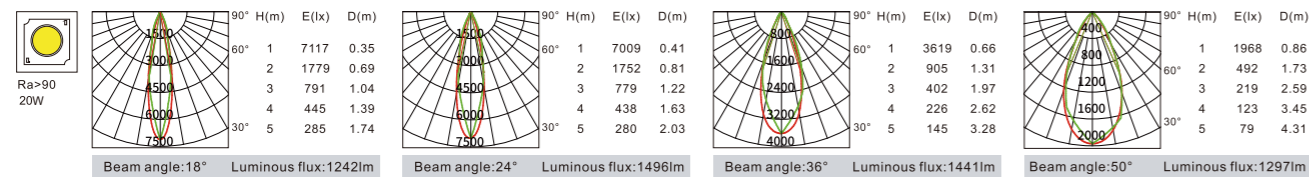


Model	Power	LED voltage	LED Current	CRI	CCT	Beam Angle	LED Output	System output	Dimming Type
K-CL36-315T-S3Q	15W	36V	350mA	90	2700K	15°	1246lm	589lm	ON-OFF
						24°	1246lm	670lm	TRIAC
						36°	1246lm	697lm	1-10V
						50°	1246lm	620lm	DALI
	15W	36V	350mA	90	3000K	15°	1342lm	635lm	ON-OFF
						24°	1342lm	722lm	TRIAC
						36°	1342lm	751lm	1-10V
						50°	1342lm	668lm	DALI
	15W	36V	350mA	90	4000K	15°	1426lm	674lm	ON-OFF
						24°	1426lm	767lm	TRIAC
						36°	1426lm	798lm	1-10V
						50°	1426lm	709lm	DALI

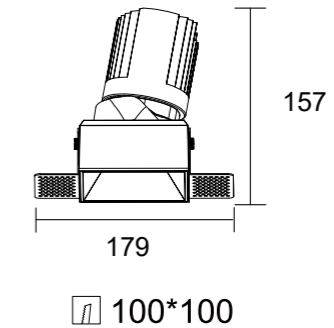
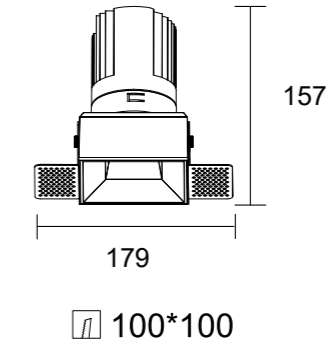
# K-CL36-4F-S3D



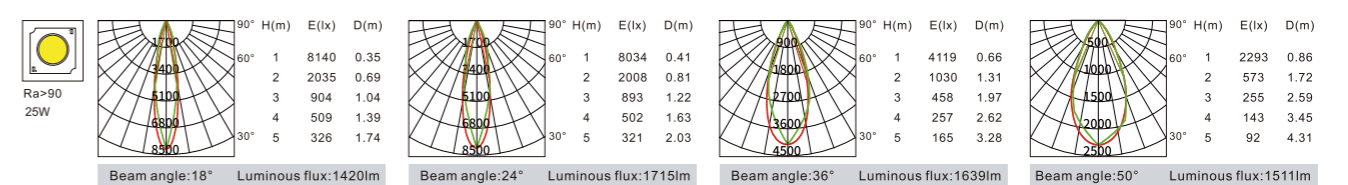
Model	Power	LED voltage	LED Current	CRI	CCT	Beam Angle	LED Output	System output	Dimming Type
K-CL36-420F-S3D	20W	36V	500mA	90	2700K	18°	1854lm	4431lm	ON-OFF
						24°	1854lm	1439lm	TRIAC
						36°	1854lm	1386lm	1-10V
K-CL36-420T-S3D	20W	36V	500mA	90	3000K	50°	1854lm	1247lm	DALI
						18°	1926lm	1241lm	ON-OFF
						24°	1926lm	1495lm	TRIAC
	20W	36V	500mA	90	4000K	36°	1926lm	1440lm	1-10V
						50°	1926lm	1296lm	DALI
						18°	2016lm	1299lm	ON-OFF
	20W	36V	500mA	90	4000K	24°	2016lm	1564lm	TRIAC
						36°	2016lm	1507lm	1-10V
						50°	2016lm	1356lm	DALI



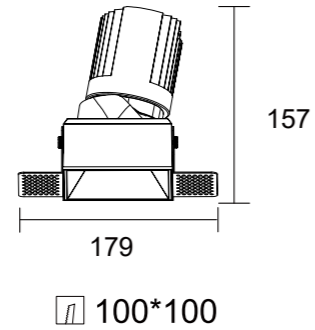
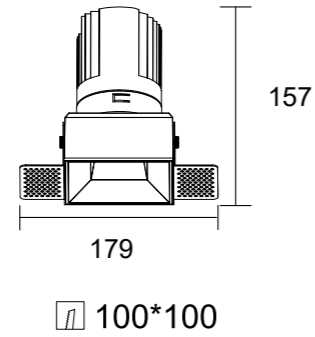
# K-CL36-4T-S3D



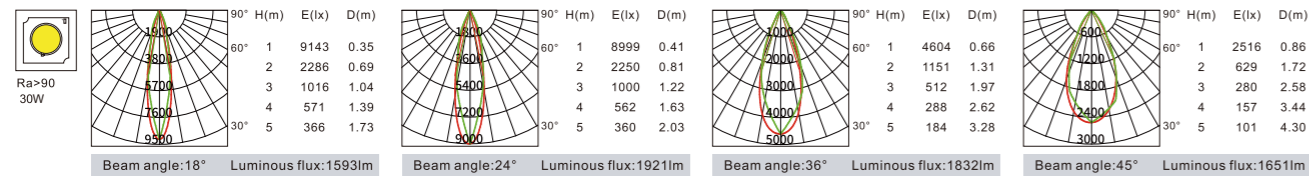
Model	Power	LED voltage	LED Current	CRI	CCT	Beam Angle	LED Output	System output	Dimming Type
K-CL36-425F-S3D	25W	36V	600mA	90	2700K	18°	2225lm	1367lm	ON-OFF
						24°	2225lm	1362lm	TRIAC
						36°	2225lm	1578lm	1-10V
K-CL36-425T-S3D	25W	36V	600mA	90	3000K	50°	2225lm	1454lm	DALI
						18°	2311lm	1420lm	ON-OFF
						24°	2311lm	1415lm	TRIAC
	25W	36V	600mA	90	3000K	36°	2311lm	1639lm	1-10V
						50°	2311lm	1511lm	DALI
						18°	2419lm	1486lm	ON-OFF
	25W	36V	600mA	90	4000K	24°	2419lm	1481lm	TRIAC
						36°	2419lm	1715lm	1-10V
						50°	2419lm	1581lm	DALI



# K-CL36-4F-S3D



Model	Power	LED voltage	LED Current	CRI	CCT	Beam Angle	LED Output	System output	Dimming Type
K-CL36-430F-S3D	30W	36V	700mA	90	2700K	18°	2595lm	1533lm	ON-OFF
						24°	2595lm	1849lm	TRIAC
						36°	2595lm	1763lm	1-10V
						50°	2595lm	1589lm	DALI
K-CL36-430T-S3D	30W	36V	700mA	90	3000K	18°	2696lm	1593lm	ON-OFF
						24°	2696lm	1921lm	TRIAC
						36°	2696lm	1832lm	1-10V
						50°	2696lm	1651lm	DALI
K-CL36-430T-S3D	30W	36V	700mA	90	4000K	18°	2822lm	1667lm	ON-OFF
						24°	2822lm	2010lm	TRIAC
						36°	2822lm	1917lm	1-10V
						50°	2822lm	1728lm	DALI



# Contact details

## **IINNO Ltd**

2101A Nan Fung Centre,  
264-298 Castle Peak Road,  
Tsuen Wan, Hong Kong

Tel: +852 2134 9906  
+86 (0)769 23010151/2

M: +86 13922905402

Email: [sales@iinno-lighting.com](mailto:sales@iinno-lighting.com)

[www.iinno-lighting.com](http://www.iinno-lighting.com)



