



CL25 Series

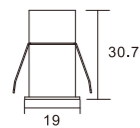
iinno Lighting delivers certified, high-performance solutions for commercial, municipal, and industrial use, trusted by developers worldwide for quality, scale, and long-term reliability.



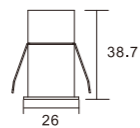
CL25 Series



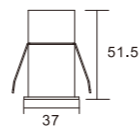
K-CL25-0502F-R2B
Power: 2W
Cutout: 17mm
Height: 30.7mm



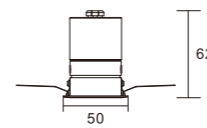
K-CL25-1002F-R2B
Power: 2W
Cutout: 25mm
Height: 38.7mm



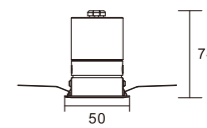
K-CL25-1503F-R2B
Power: 3W
Cutout: 35mm
Height: 51.5mm



K-CL25-2F-R2D
Power: 3W/5W
Cutout: 45mm
Height: 62mm



K-CL25-2F-R2D
Power: 8W
Cutout: 45mm
Height: 74mm



CL25 Series

Model	K-CL25-0502F-R2 B	K-CL25-1002F-R2 B	K-CL25-1503F-R2 B		K-CL25-2F-R2 D	K-CL25-2F-R2 D	K-CL25-C-3805	K-CL25-D-3805
Product Photo								
Dimension(mm)								
Cutout(mm)	17	25	35		45	45	45	45
Watt age	2W	2W	3W		3W/5W	8W	3W/5W	8W
CCT	2700K/3000K/3500K/4000K/5000K	2700K/3000K/3500K/4000K/5000K	2700K/3000K/3500K/4000K/5000K		2700K/3000K/3500K/4000K	2700K/3000K/3500K/4000K	2700K/3000K/3500K/4000K	2700K/3000K/3500K/4000K
CRI	>90	>90	>90		>90	>90	>90	>90
Beam Angle	20° /25°	20° /25°	11° /20° /25°		18° /24° /36°	18°/24° /36°	15°/ 24° /36°	15°/24° /36°
Lumen	70LM	70LM	180LM		150-250LM	400LM	268-352LM	268-352LM
IP	IP20	IP20	IP20		IP20	IP20	IP20	IP20
Dimmi ng			TRIAC/1-10V/DALI		TRIAC/1-10V/DALI	TRIAC/1-10V/DALI	TRIAC/1-10V/DALI	TRIAC/1-10V/DALI
Reflector Colour					Black/White/Gold/Highly specular aluminium	Black/White/Gold/Highly specular aluminium	Black/White/Gold/Highly specular aluminium	Black/White/Gold/Highly specular aluminium
Colour	White+Black	White+Black	White+Black		White+Iron gray	White+Iron gray	White+Iron gray	White+Iron gray

Reflecting Accessories



Highly specular aluminium

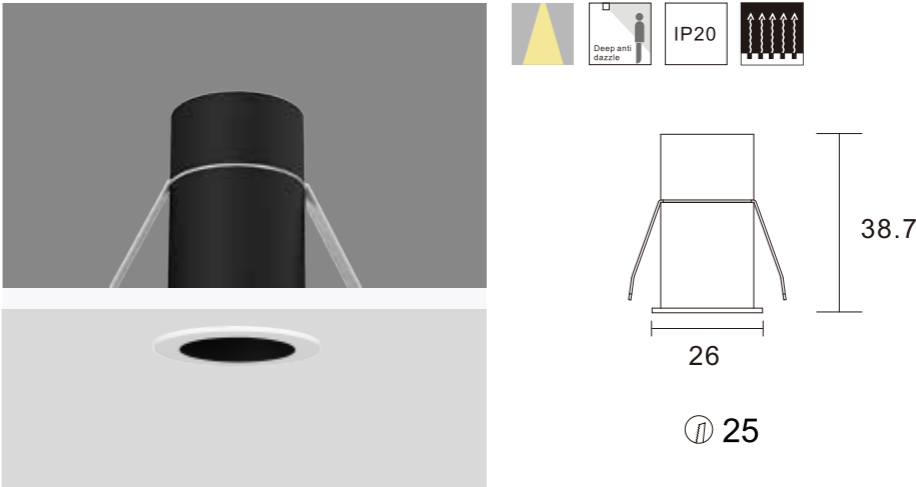
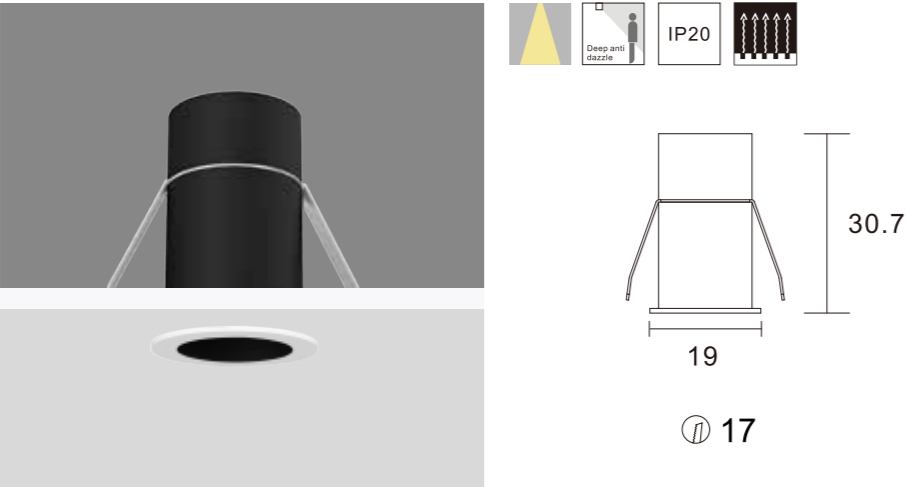
Black

Gold

White

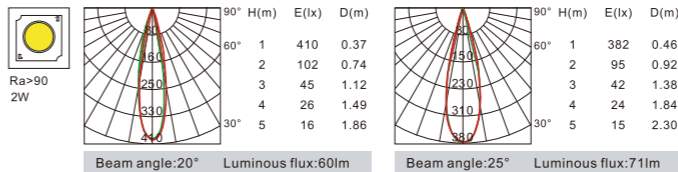
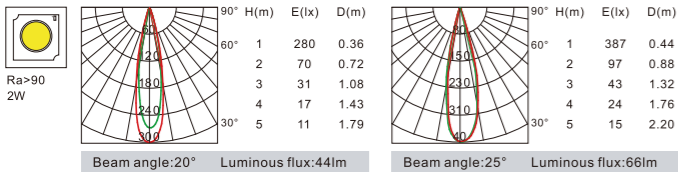
K-CL25-5F-R2B

K-CL25-10F-R2B

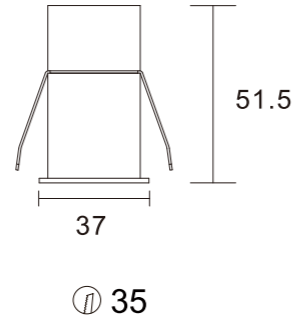
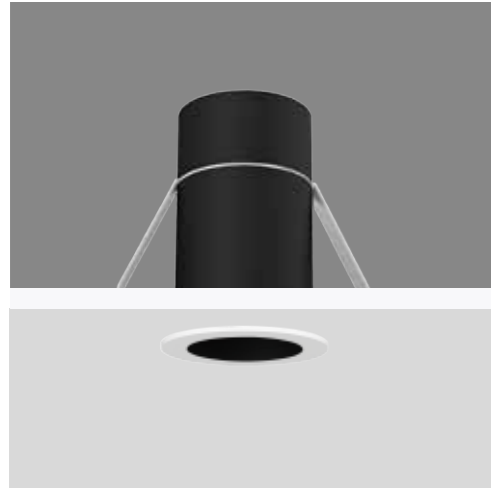


Model	Power	LED voltage	LED Current	CRI	CCT	Beam Angle	LED Output	System output	Dimming Type
K-CL25-0502F-R2B	2W	3V	350mA	90	2700K	20° 25°	135lm 135lm	94lm 97lm	ON-OFF
	2W	3V	350mA	90	3000K	20° 25°	145lm 145lm	101lm 105lm	ON-OFF
	2W	3V	350mA	90	4000K	20° 25°	157lm 157lm	109lm 111lm	ON-OFF

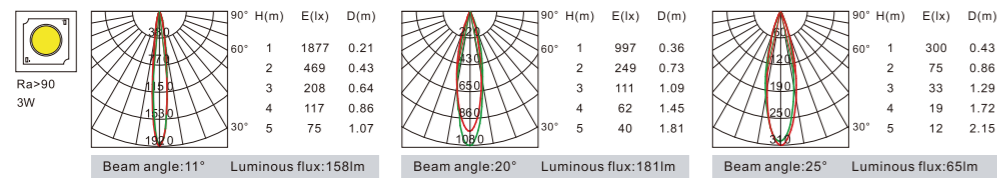
Model	Power	LED voltage	LED Current	CRI	CCT	Beam Angle	LED Output	System output	Dimming Type
K-CL25-1002F-R2B	2W	3V	350mA	90	2700K	20° 25°	135lm 135lm	94lm 97lm	ON-OFF
	2W	3V	350mA	90	3000K	20° 25°	145lm 145lm	101lm 105lm	ON-OFF
	2W	3V	350mA	90	4000K	20° 25°	157lm 157lm	109lm 111lm	ON-OFF



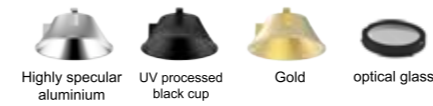
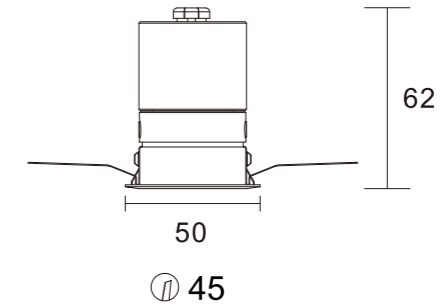
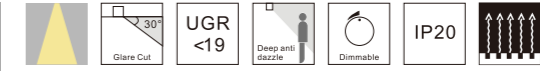
K-CL25-15F-R2B



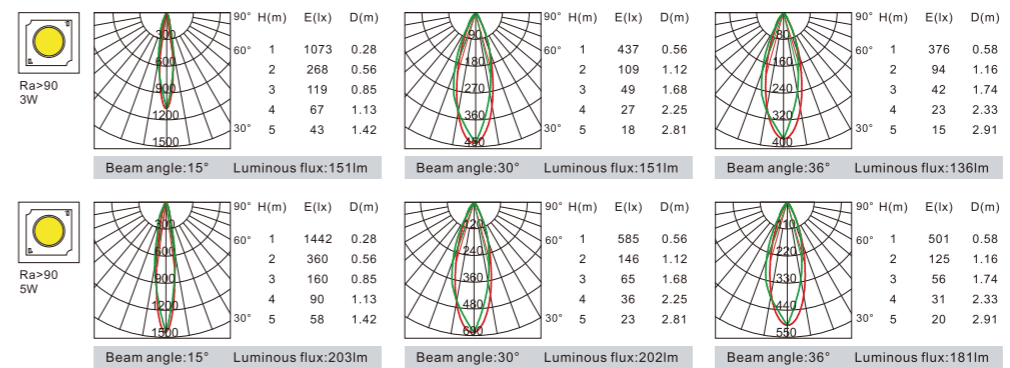
Model	Power	LED voltage	LED Current	CRI	CCT	Beam Angle	LED Output	System output	Dimming Type
K-CL25-1503F-R2B	3W	3V	700mA	90	2700K	11°	198lm	146lm	ON-OFF
						20°	198lm	168lm	
						25°	198lm	60lm	
	3W	3V	700mA	90	3000K	11°	213lm	158lm	ON-OFF
						20°	213lm	181lm	
						25°	213lm	65lm	
	3W	3V	700mA	90	4000K	11°	231lm	171lm	ON-OFF
						20°	231lm	196lm	
						25°	231lm	70lm	



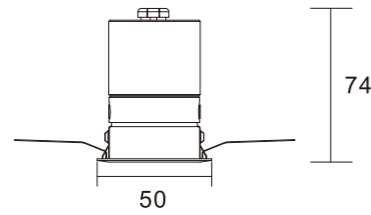
K-CL25-2F-R2D



Model	Power	LED voltage	LED Current	CRI	CCT	Beam Angle	LED Output	System output	Dimming Type
K-CL25-203F-R2D	3W	3V	700mA	90	2700K	15°	190lm	134lm	ON-OFF TRIAC 1-10V
						30°	190lm	134lm	
						36°	190lm	169lm	
	3W	3V	700mA	90	3000K	15°	213lm	151lm	ON-OFF TRIAC 1-10V
						30°	213lm	151lm	
						36°	213lm	136lm	
	3W	3V	700mA	90	4000K	15°	231lm	163lm	ON-OFF TRIAC 1-10V
						30°	231lm	163lm	
						36°	231lm	147lm	
K-CL25-205F-R2D	5W	36V	120mA	90	2700K	15°	445lm	195lm	ON-OFF TRIAC 1-10V DALI
						30°	445lm	194lm	
						36°	445lm	174lm	
	5W	36V	120mA	90	3000K	15°	462lm	203lm	ON-OFF TRIAC 1-10V DALI
						30°	462lm	202lm	
						36°	462lm	181lm	
	5W	36V	120mA	90	4000K	15°	484lm	212lm	ON-OFF TRIAC 1-10V DALI
						30°	484lm	211lm	
						36°	484lm	189lm	



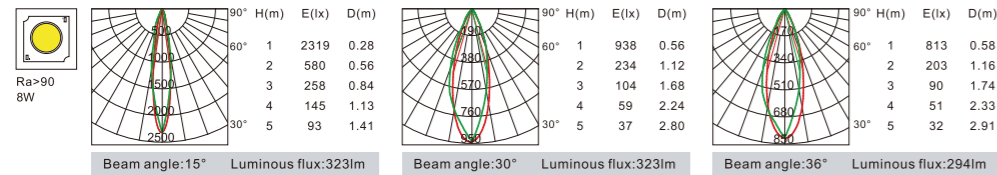
K-CL25-2F-R2D



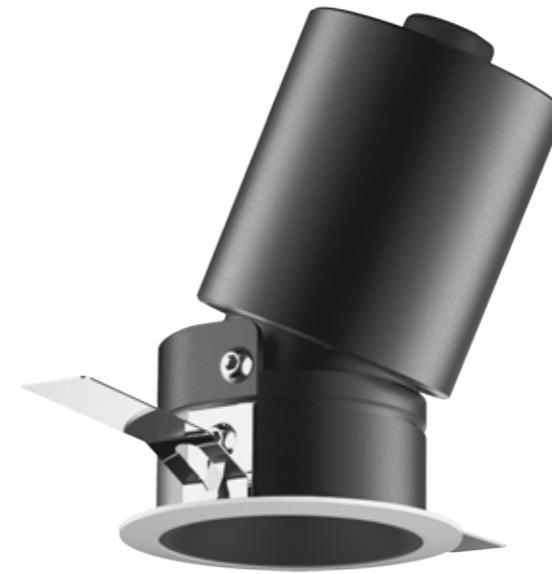
⌀ 45



Model	Power	LED voltage	LED Current	CRI	CCT	Beam Angle	LED Output	System output	Dimming Type
K-CL25-208F-R2D	8W	36V	200mA	90	2700K	15°	741lm	310lm	ON-OFF
						30°	741lm	310lm	TRIAC
						36°	741lm	282lm	1-10V DALI
	8W	36V	200mA	90	3000K	15°	770lm	323lm	ON-OFF
						30°	770lm	323lm	TRIAC
						36°	770lm	294lm	1-10V DALI
	8W	36V	200mA	90	4000K	15°	806lm	338lm	ON-OFF
						30°	806lm	338lm	TRIAC
						36°	806lm	307lm	1-10V DALI



K-CL25



- Selective chip with Ra>90
- The minimum cutout size is 17mm, small and delicate.
- The total height of the light is only 13.5mm, suitable for ceiling which has small space inside and will not damage the ceiling.
- Use good quality aluminum alloy die-casting lamp body, high efficiency heat dissipation.
- Anti-glare designed lamp body, shading angle $\geq 30^\circ$, UGR ≤ 19
- Clips installation design, simple and easy installation.

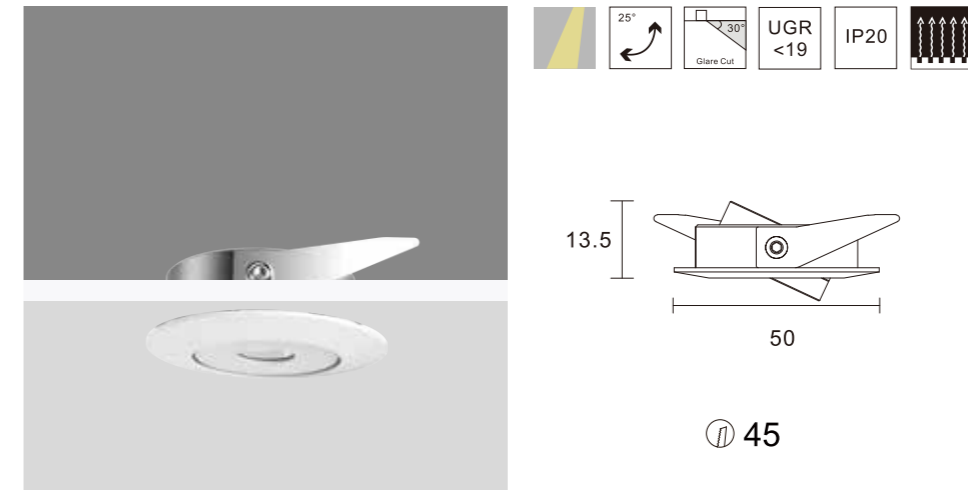
K-CL25-2T

Model	K-CL25-2T-R2	K-CL25-2T-R2D	K-CL25-2T-R2D	K-CL25-2T-R2D
Product Photo				
Dimension(mm)				
Cutout(mm)	45	45	45	45
Wattage	2W	2W	3W/5W	8W
CCT	2700K/3000K/4000K	2700K/3000K/4000K	2700K/3000K/3500K/4000K	2700K/3000K/3500K/4000K
CRI	>90	>90	>90	>90
Beam Angle	20°/30°/45°	20°/30°/45°	15°/30°/36°	15°/30°/36°
Lumen	100LM	100LM	150-250LM	400LM
IP	IP 20	IP 20	IP 20	IP 20
Dimming			TRIAC/1-10V/DALI	TRIAC/1-10V/DALI
Reflector Colour		Black White Gold Highly specular aluminium	Black White Gold Highly specular aluminium	Black White Gold Highly specular aluminium
Colour	White+Iron gray	White+Iron gray	White+Iron gray	White+Iron gray

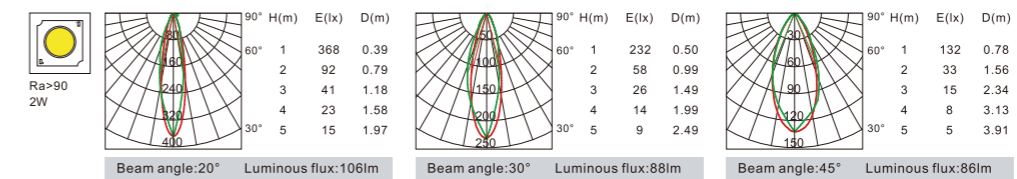
Reflecting Accessories



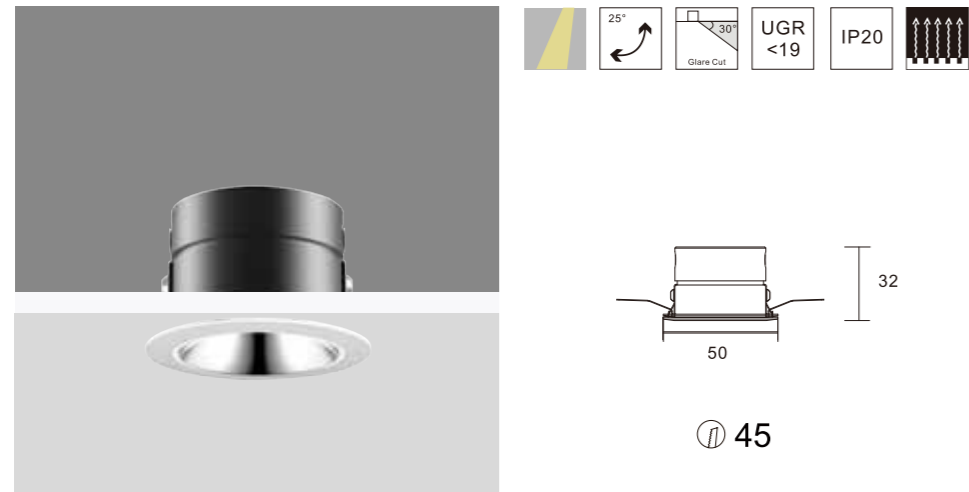
K-CL25-2T-R2



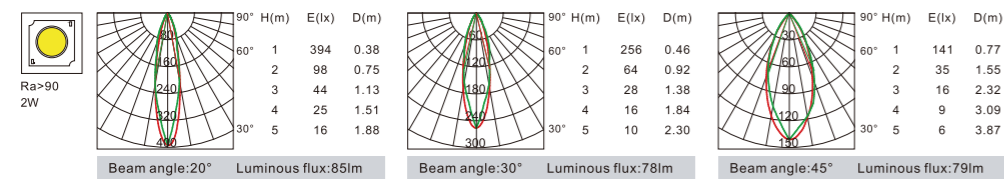
Model	Power	LED voltage	LED Current	CRI	CCT	Beam Angle	LED Output	System output	Dimming Type
K-CL25-202T-R2	2W	3V	350mA	90	2700K	20°	198lm	98lm	ON-OFF
						30°	198lm	81lm	
						45°	198lm	79lm	
2W	3V	350mA	90	3000K	20°	213lm	106lm	ON-OFF	
					30°	213lm	88lm		
					45°	213lm	86lm		
2W	3V	350mA	90	4000K	20°	231lm	114lm	ON-OFF	
					30°	231lm	95lm		
					45°	231lm	93lm		



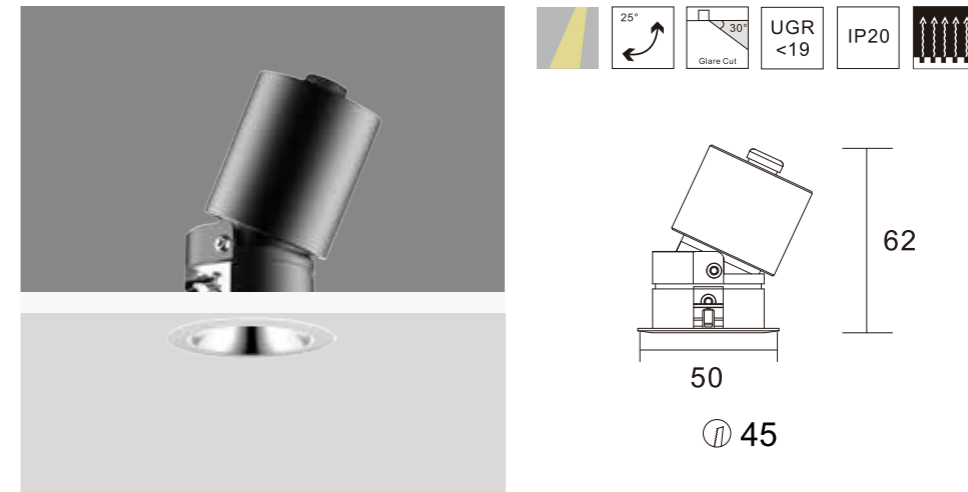
K-CL25-2T-R2D



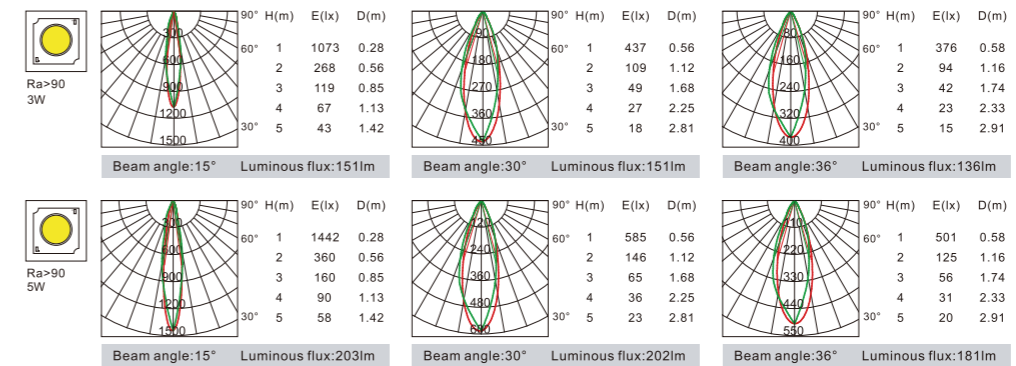
Model	Power	LED voltage	LED Current	CRI	CCT	Beam Angle	LED Output	System output	Dimming Type
K-CL25-202T-R2D	2W	3V	350mA	90	2700K	20°	135lm	79lm	ON-OFF
						30°	135lm	72lm	
						45°	135lm	73lm	
	2W	3V	350mA	90	3000K	20°	145lm	85lm	ON-OFF
						30°	145lm	78lm	
						45°	145lm	79lm	
	2W	3V	350mA	90	4000K	20°	157lm	92lm	ON-OFF
						30°	157lm	84lm	
						45°	157lm	85lm	



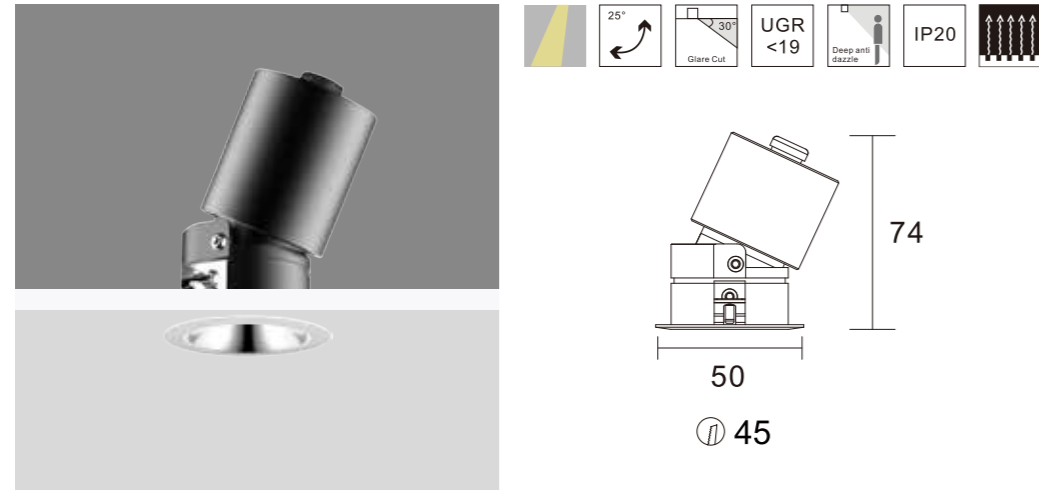
K-CL25-2T-R2D



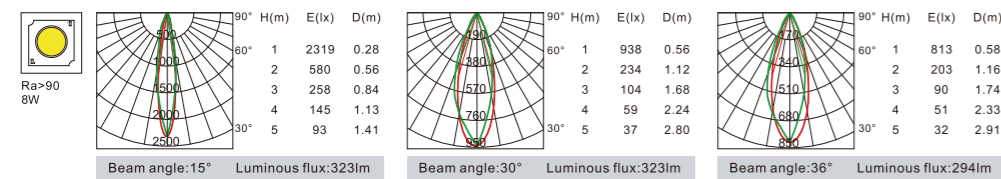
Model	Power	LED voltage	LED Current	CRI	CCT	Beam Angle	LED Output	System output	Dimming Type
K-CL25-203T-R2D	3W	3V	700mA	90	2700K	20°	198lm	134lm	ON-OFF TRIAC 1-10V
						30°	198lm	134lm	
						45°	198lm	169lm	
	3W	3V	700mA	90	3000K	20°	213lm	151lm	ON-OFF TRIAC 1-10V
						30°	213lm	151lm	
						45°	213lm	136lm	
	3W	3V	700mA	90	4000K	20°	231lm	163lm	ON-OFF TRIAC 1-10V
						30°	231lm	163lm	
						45°	231lm	147lm	
K-CL25-205T-R2D	5W	36V	120mA	90	2700K	20°	445lm	195lm	ON-OFF TRIAC 1-10V DALI
						30°	445lm	194lm	
						45°	445lm	174lm	
	5W	36V	120mA	90	3000K	20°	462lm	203lm	ON-OFF TRIAC 1-10V DALI
						30°	462lm	202lm	
						45°	462lm	181lm	
	5W	36V	120mA	90	4000K	20°	484lm	212lm	ON-OFF TRIAC 1-10V DALI
						30°	484lm	211lm	
						45°	484lm	189lm	



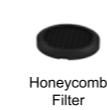
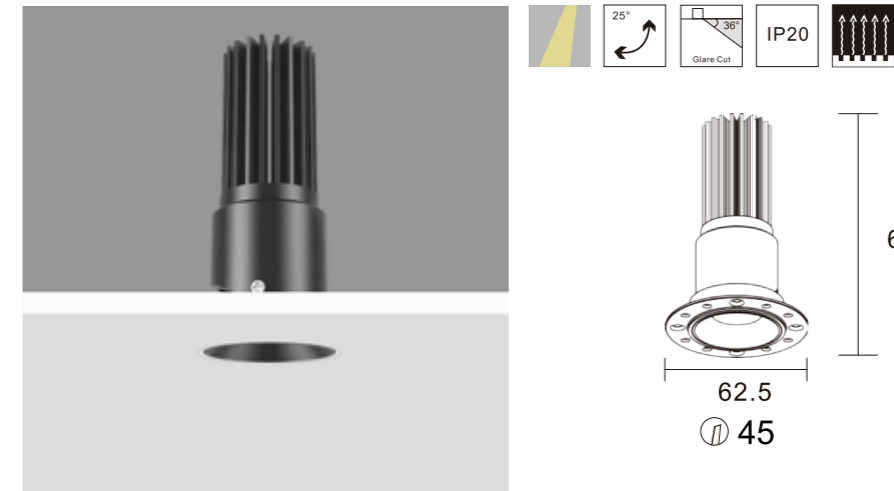
K-CL25-2T-R2D



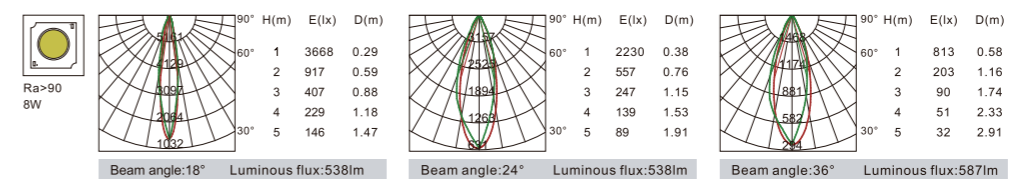
Model	Power	LED voltage	LED Current	CRI	CCT	Beam Angle	LED Output	System output	Dimming Type
K-CL25-208T-R2D	8W	36V	200mA	90	2700K	15°	741lm	310lm	ON-OFF TRIAC
						30°	741lm	310lm	1-10V
						36°	741lm	282lm	DALI
	8W	36V	200mA	90	3000K	15°	770lm	323lm	ON-OFF TRIAC
						30°	770lm	323lm	1-10V
						36°	770lm	294lm	DALI
	8W	36V	200mA	90	4000K	15°	806lm	338lm	ON-OFF TRIAC
						30°	806lm	338lm	1-10V
						36°	806lm	307lm	DALI



K-CL25-2T-R3

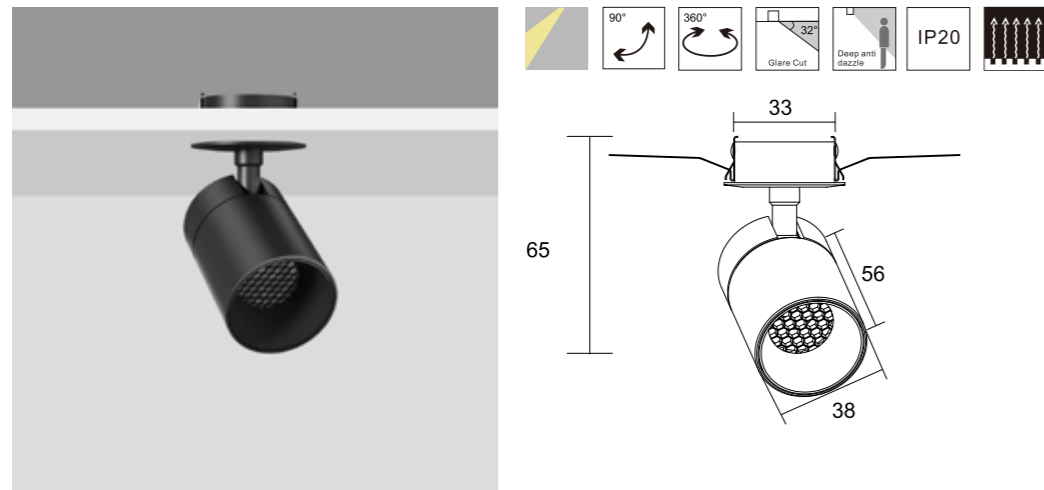


Model	Power	LED voltage	LED Current	CRI	CCT	Beam Angle	LED Output	System output	Dimming Type
K-CL25-208T-R3	8W	36V	200mA	90	2700K	18°	741lm	517lm	ON-OFF TRIAC
						24°	741lm	516lm	1-10V
						36°	741lm	564lm	DALI
	8W	36V	200mA	90	3000K	18°	770lm	538lm	ON-OFF TRIAC
						24°	770lm	537lm	1-10V
						36°	770lm	587lm	DALI
	8W	36V	200mA	90	4000K	18°	806lm	563lm	ON-OFF TRIAC
						24°	806lm	562lm	1-10V
						36°	806lm	614lm	DALI
K-CL25-210T-R3	10W	36V	250mA	90	2700K	18°	927lm	624lm	ON-OFF TRIAC
						24°	927lm	621lm	1-10V
						36°	927lm	699lm	DALI
	10W	36V	250mA	90	3000K	18°	963lm	646lm	ON-OFF TRIAC
						24°	963lm	646lm	1-10V
						36°	963lm	727lm	DALI
	10W	36V	250mA	90	4000K	18°	1008lm	676lm	ON-OFF TRIAC
						24°	1008lm	676lm	1-10V
						36°	1008lm	760lm	DALI

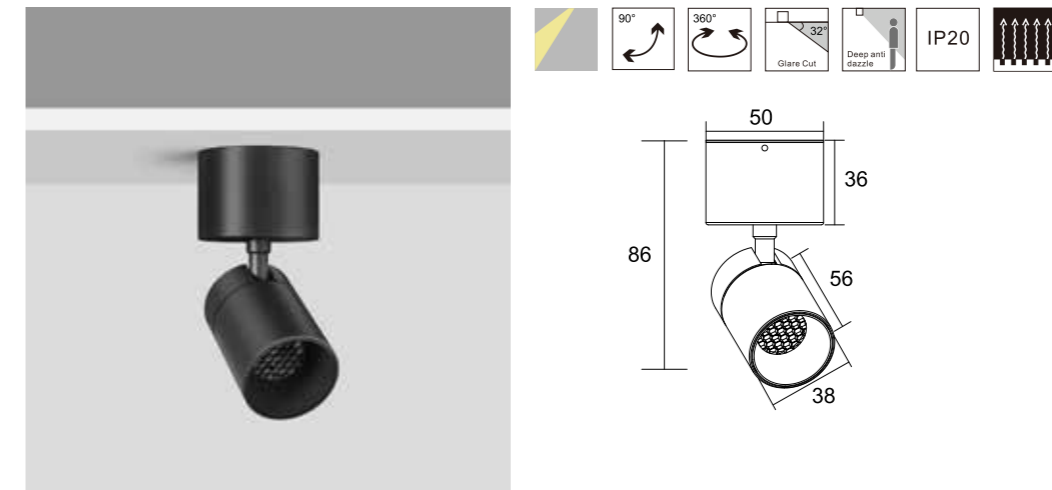
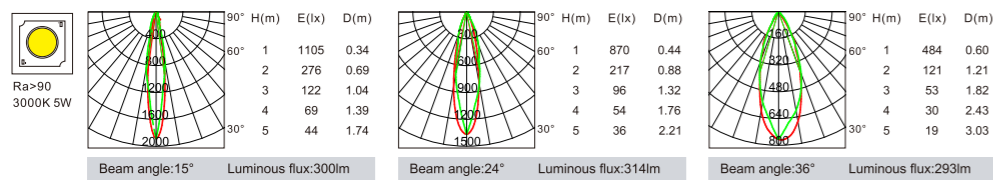


K-CL25-C-3

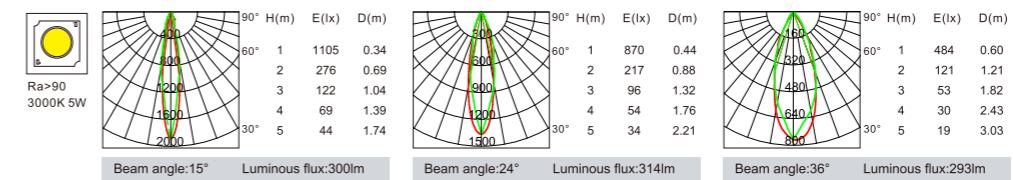
K-CL25-D-3



Model	Power	LED voltage	LED Current	CRI	CCT	Beam Angle	LED Output	System output	Dimming Type
K-CL25-C-3805	5W	9V	400mA	90	2700K	15°	310lm	268lm	ON-OFF
						24°	310lm	281lm	TRIAC
						36°	310lm	262lm	1-10V DALI
	5W	9V	400mA	90	3000K	15°	346lm	300lm	ON-OFF
						24°	346lm	314lm	TRIAC
						36°	346lm	293lm	1-10V DALI
	5W	9V	400mA	90	4000K	15°	416lm	362lm	ON-OFF
						24°	416lm	377lm	TRIAC
						36°	416lm	352lm	1-10V DALI



Model	Power	LED voltage	LED Current	CRI	CCT	Beam Angle	LED Output	System output	Dimming Type
K-CL25-D-3805	5W	9V	400mA	90	2700K	15°	310lm	268lm	ON-OFF
						24°	310lm	281lm	TRIAC
						36°	310lm	262lm	1-10V DALI
	5W	9V	400mA	90	3000K	15°	346lm	300lm	ON-OFF
						24°	346lm	314lm	TRIAC
						36°	346lm	293lm	1-10V DALI
	5W	9V	400mA	90	4000K	15°	416lm	362lm	ON-OFF
						24°	416lm	377lm	TRIAC
						36°	416lm	352lm	1-10V DALI





K-CL25Miro

Deep anti-glare

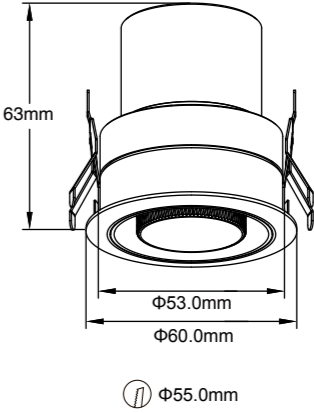
K- CL25

Comfortable Light Experience

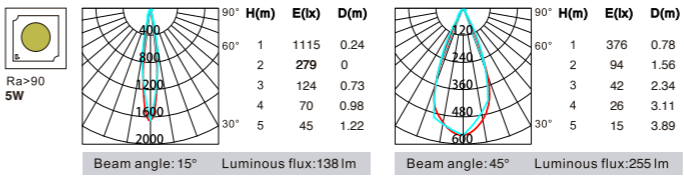




K-CL25F-205T-R2

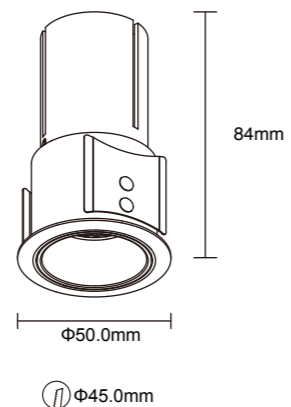
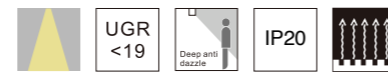


Model	Power	LED voltage	LED Current	CRI	CCT	Beam Angle	LED Output	System output	Dimming Type
K-CL25F-205T-R2	5W	36V	120mA	90	2700K	15° 45°	445lm 445lm	131lm 241lm	ON-OFF TRIAC 1-10V DALI
	5W	36V	120mA	90	3000K	15° 45°	470lm 470lm	138lm 255lm	ON-OFF TRIAC 1-10V DALI
	5W	36V	120mA	90	4000K	15° 45°	500lm 500lm	147lm 271lm	ON-OFF TRIAC 1-10V DALI

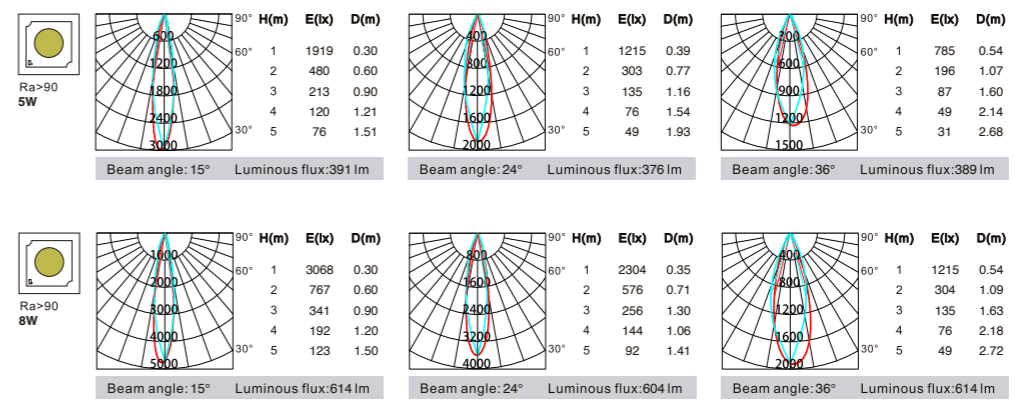




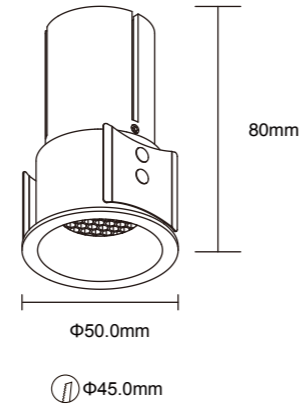
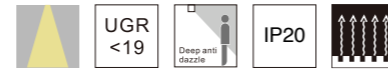
K-CL25M-2F-R2D



Model	Power	LED voltage	LED Current	CRI	CCT	Beam Angle	LED Output	System output	Dimming Type
K-CL25M-205F-R2D	5W	36V	120MA	90	2700K	15°	415lm	369lm	ON-OFF TRIAC 1-10V DALI
						24°	415lm	355lm	
						36°	415lm	367lm	
K-CL25M-208F-R2D	8W	36V	200MA	90	2700K	15°	440lm	391lm	ON-OFF TRIAC 1-10V DALI
						24°	440lm	376lm	
						36°	440lm	389lm	
K-CL25M-205F-R2D	5W	36V	120MA	90	4000K	15°	465lm	413lm	ON-OFF TRIAC 1-10V DALI
						24°	465lm	397lm	
						36°	465lm	411lm	
K-CL25M-208F-R2D	8W	36V	200MA	90	2700K	15°	691lm	579lm	ON-OFF TRIAC 1-10V DALI
						24°	691lm	509lm	
						36°	691lm	579lm	
K-CL25M-208F-R2D	8W	36V	200MA	90	3000K	15°	733lm	614lm	ON-OFF TRIAC 1-10V DALI
						24°	733lm	604lm	
						36°	733lm	614lm	
K-CL25M-208F-R2D	8W	36V	200MA	90	4000K	15°	775lm	649lm	ON-OFF TRIAC 1-10V DALI
						24°	775lm	639lm	
						36°	775lm	649lm	

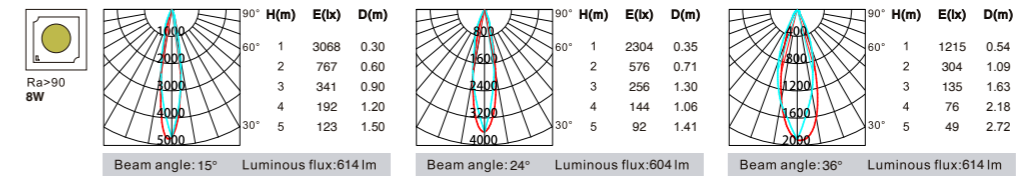
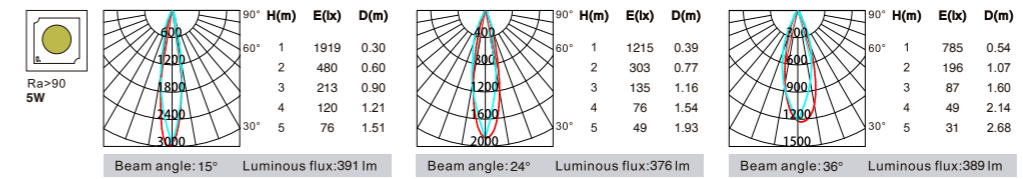


K-CL25M-2F-R2

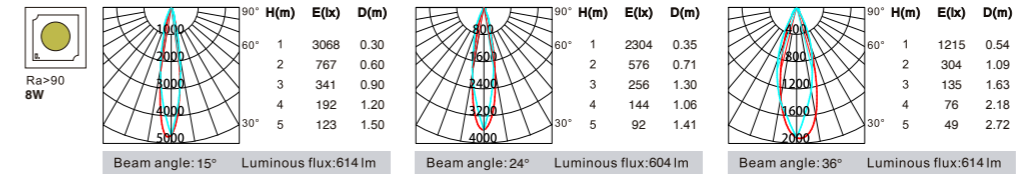
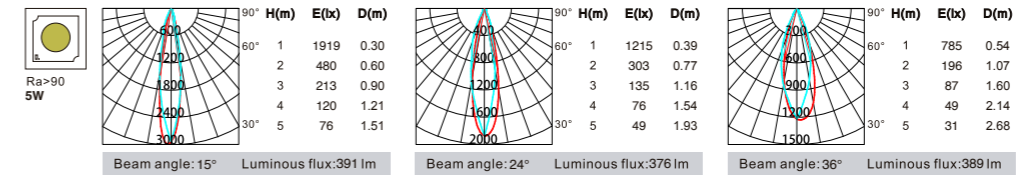
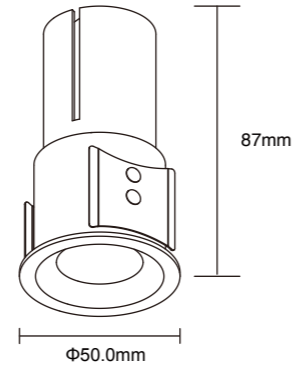


Honeycomb Filter

Model	Power	LED voltage	LED Current	CRI	CCT	Beam Angle	LED Output	System output	Dimming Type
K-CL25M-205F-R2	5W	36V	120MA	90	2700K	15°	415lm	369lm	ON-OFF TRIAC
						24°	415lm	355lm	1-10V
						36°	415lm	367lm	DALI
K-CL25M-205F-R2	5W	36V	120MA	90	3000K	15°	440lm	391lm	ON-OFF TRIAC
						24°	440lm	376lm	1-10V
						36°	440lm	389lm	DALI
K-CL25M-205F-R2	5W	36V	120MA	90	4000K	15°	465lm	413lm	ON-OFF TRIAC
						24°	465lm	397lm	1-10V
						36°	465lm	411lm	DALI
K-CL25M-208F-R2	8W	36V	200MA	90	2700K	15°	691lm	579lm	ON-OFF TRIAC
						24°	691lm	509lm	1-10V
						36°	691lm	579lm	DALI
K-CL25M-208F-R2	8W	36V	200MA	90	3000K	15°	733lm	614lm	ON-OFF TRIAC
						24°	733lm	604lm	1-10V
						36°	733lm	614lm	DALI
K-CL25M-208F-R2	8W	36V	200MA	90	4000K	15°	775lm	649lm	ON-OFF TRIAC
						24°	775lm	639lm	1-10V
						36°	775lm	649lm	DALI

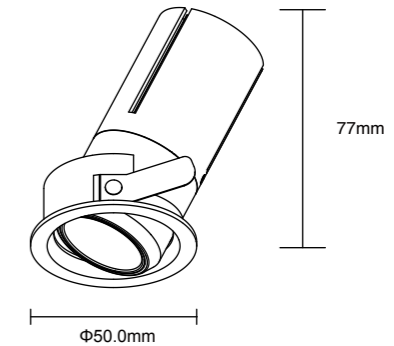


K-CL25M-2F-R2R



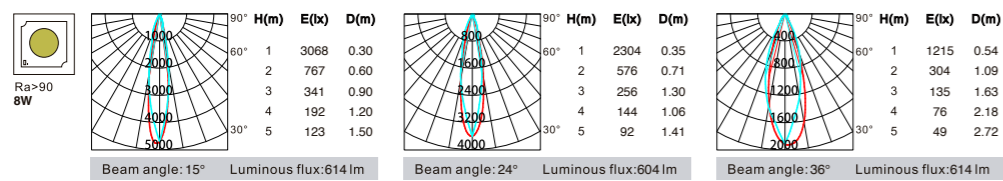
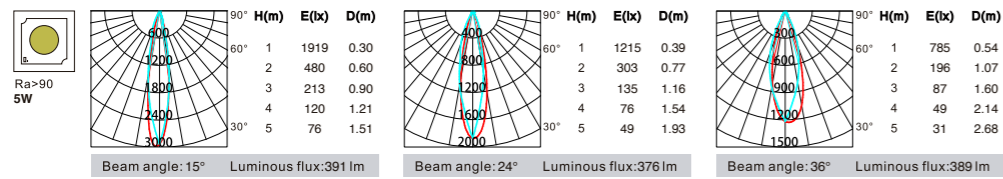
Model	Power	LED voltage	LED Current	CRI	CCT	Beam Angle	LED Output	System output	Dimming Type
K-CL25M-205F-R2R	5W	36V	120MA	90	2700K	15°	415lm	369lm	ON-OFF TRIAC 1-10V DALI
						24°	415lm	355lm	
						36°	415lm	367lm	
K-CL25M-208F-R2R	8W	36V	200MA	90	2700K	15°	691lm	579lm	ON-OFF TRIAC 1-10V DALI
						24°	691lm	509lm	
						36°	691lm	579lm	
K-CL25M-205T-R2D	5W	36V	120MA	90	3000K	15°	440lm	391lm	ON-OFF TRIAC 1-10V DALI
						24°	440lm	376lm	
						36°	440lm	389lm	
K-CL25M-208T-R2D	8W	36V	200MA	90	3000K	15°	733lm	614lm	ON-OFF TRIAC 1-10V DALI
						24°	733lm	604lm	
						36°	733lm	614lm	
K-CL25M-205T-R2D	5W	36V	120MA	90	4000K	15°	465lm	413lm	ON-OFF TRIAC 1-10V DALI
						24°	465lm	397lm	
						36°	465lm	411lm	
K-CL25M-208T-R2D	8W	36V	200MA	90	4000K	15°	775lm	649lm	ON-OFF TRIAC 1-10V DALI
						24°	775lm	639lm	
						36°	775lm	649lm	

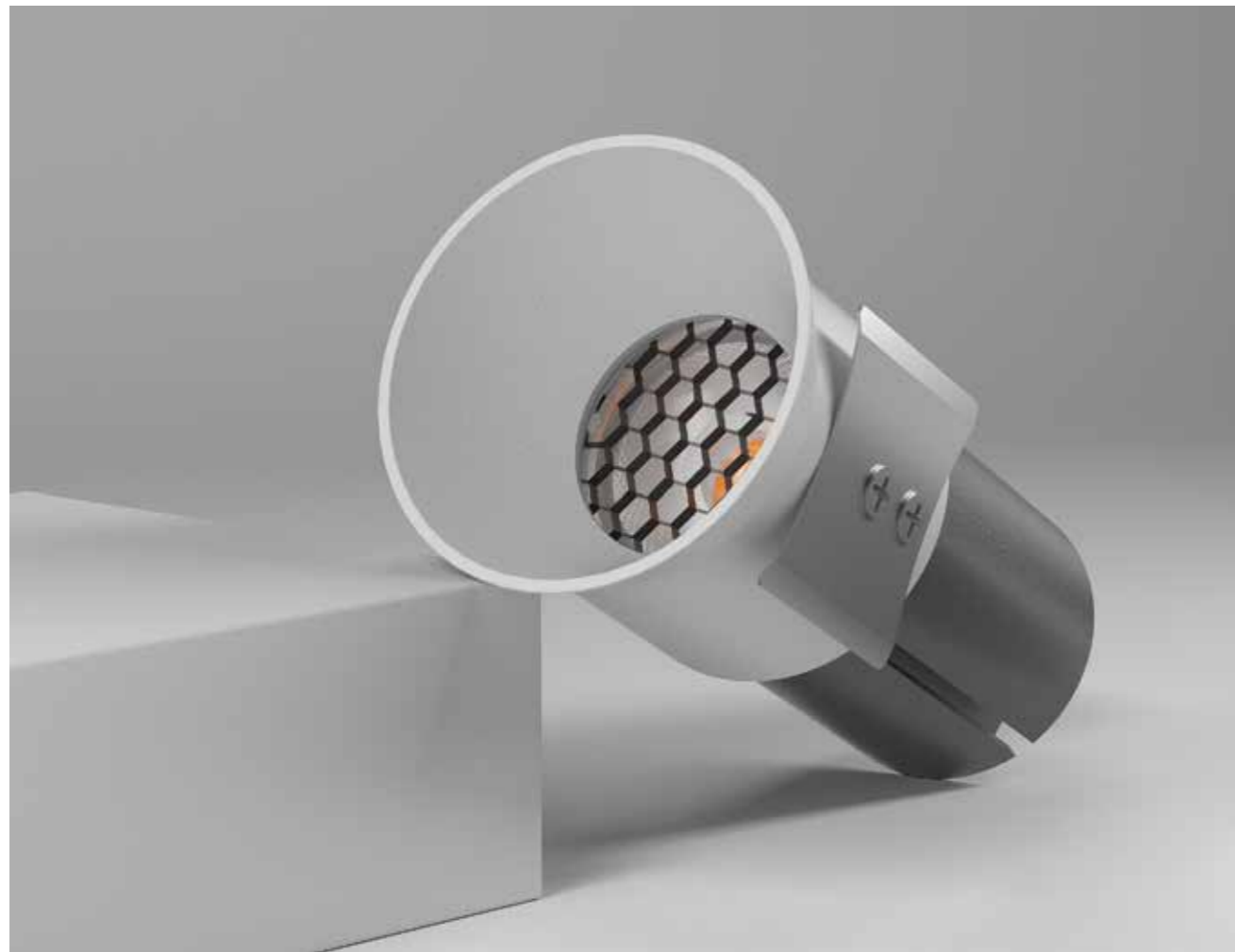
K-CL25M-R2D



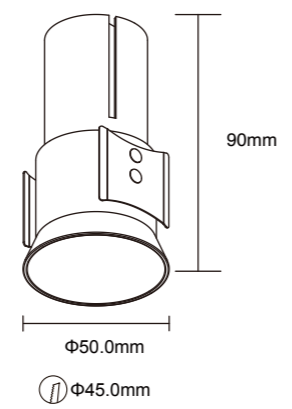
Model	Power	LED voltage	LED Current	CRI	CCT	Beam Angle	LED Output	System output	Dimming Type
K-CL25M-205T-R2D	5W	36V	120MA	90	2700K	15°	415lm	369lm	ON-OFF TRIAC 1-10V DALI
						24°	415lm	355lm	
						36°	415lm	367lm	
K-CL25M-208T-R2D	8W	36V	200MA	90	3000K	15°	440lm	391lm	ON-OFF TRIAC 1-10V DALI
						24°	440lm	376lm	
						36°	440lm	389lm	
K-CL25M-205T-R2D	5W	36V	120MA	90	4000K	15°	465lm	413lm	ON-OFF TRIAC 1-10V DALI
						24°	465lm	397lm	
						36°	465lm	411lm	

Model	Power	LED voltage	LED Current	CRI	CCT	Beam Angle	LED Output	System output	Dimming Type
K-CL25M-208T-R2D	5W	36V	120MA	90	2700K	15°	415lm	369lm	ON-OFF
						24°	415lm	355lm	TRIAC
						36°	415lm	367lm	1-10V DALI
5W	36V	120MA	90	3000K	15°	440lm	391lm	ON-OFF	
					24°	440lm	376lm	TRIAC	
					36°	440lm	389lm	1-10V DALI	
5W	36V	120MA	90	4000K	15°	465lm	413lm	ON-OFF	
					24°	465lm	397lm	TRIAC	
					36°	465lm	411lm	1-10V DALI	

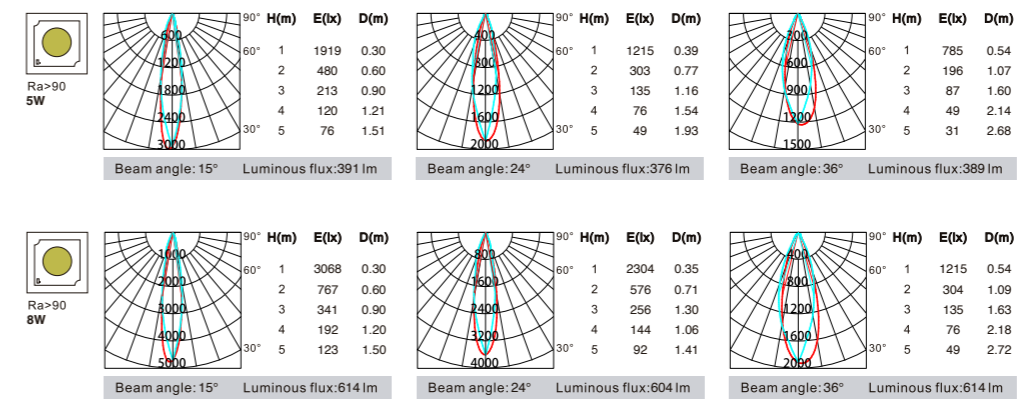




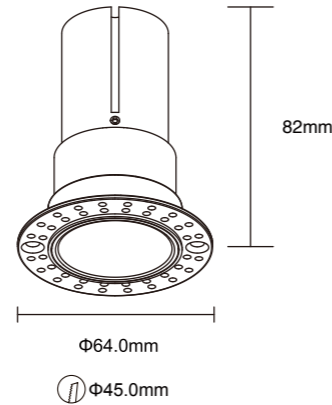
K-CL25M-2F-R2G



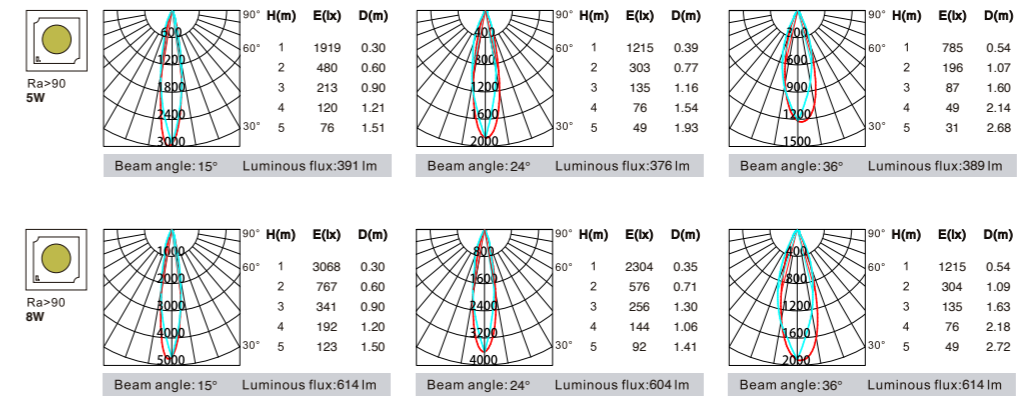
Model	Power	LED voltage	LED Current	CRI	CCT	Beam Angle	LED Output	System output	Dimming Type
K-CL25M-205F-R2G	5W	36V	120MA	90	2700K	15°	415lm	369lm	ON-OFF TRIAC 1-10V DALI
						24°	415lm	355lm	
						36°	415lm	367lm	
K-CL25M-208F-R2G	8W	36V	200MA	90	2700K	15°	440lm	391lm	ON-OFF TRIAC 1-10V DALI
						24°	440lm	376lm	
						36°	440lm	389lm	
K-CL25M-205F-R2G	5W	36V	120MA	90	4000K	15°	465lm	413lm	ON-OFF TRIAC 1-10V DALI
						24°	465lm	397lm	
						36°	465lm	411lm	
K-CL25M-208F-R2G	8W	36V	200MA	90	2700K	15°	691lm	579lm	ON-OFF TRIAC 1-10V DALI
						24°	691lm	509lm	
						36°	691lm	579lm	
K-CL25M-208F-R2G	8W	36V	200MA	90	3000K	15°	733lm	614lm	ON-OFF TRIAC 1-10V DALI
						24°	733lm	604lm	
						36°	733lm	614lm	
K-CL25M-208F-R2G	8W	36V	200MA	90	4000K	15°	775	649	ON-OFF TRIAC 1-10V DALI
						24°	775	639	
						36°	775	649	



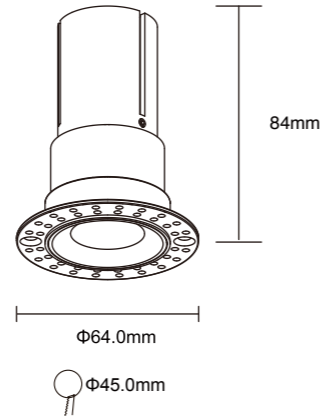
K-CL25M-2F-R3



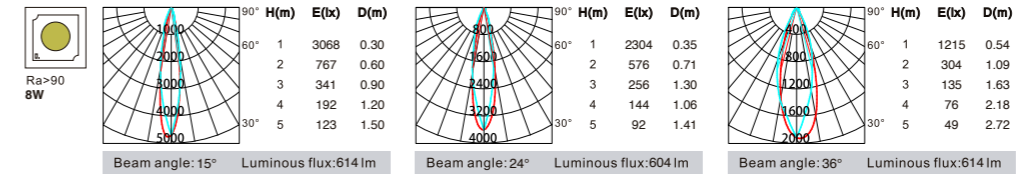
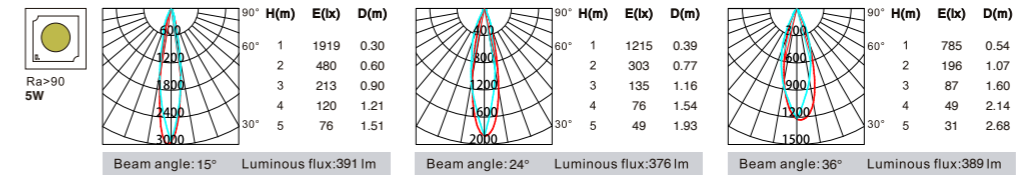
Model	Power	LED voltage	LED Current	CRI	CCT	Beam Angle	LED Output	System output	Dimming Type
K-CL25M-205F-R3	5W	36V	120MA	90	2700K	15°	415lm	369lm	ON-OFF TRIAC
						24°	415lm	355lm	1-10V DALI
						36°	415lm	367lm	
K-CL25M-205F-R3	5W	36V	120MA	90	3000K	15°	440lm	391lm	ON-OFF TRIAC
						24°	440lm	376lm	1-10V DALI
						36°	440lm	389lm	
K-CL25M-205F-R3	5W	36V	120MA	90	4000K	15°	465lm	413lm	ON-OFF TRIAC
						24°	465lm	397lm	1-10V DALI
						36°	465lm	411lm	
K-CL25M-208F-R3	8W	36V	200MA	90	2700K	15°	691lm	579lm	ON-OFF TRIAC
						24°	691lm	509lm	1-10V DALI
						36°	691lm	579lm	
K-CL25M-208F-R3	8W	36V	200MA	90	3000K	15°	733lm	614lm	ON-OFF TRIAC
						24°	733lm	604lm	1-10V DALI
						36°	733lm	614lm	
K-CL25M-208F-R3	8W	36V	200MA	90	4000K	15°	775lm	649lm	ON-OFF TRIAC
						24°	775lm	639lm	1-10V DALI
						36°	775lm	649lm	



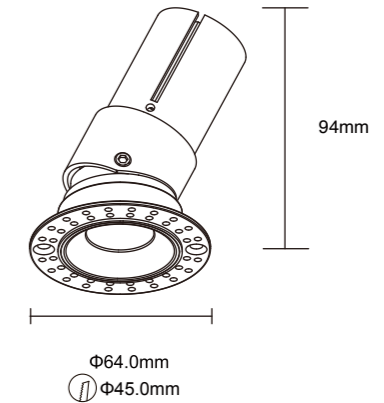
K-CL25M-2F-R3R



Model	Power	LED voltage	LED Current	CRI	CCT	Beam Angle	LED Output	System output	Dimming Type
K-CL25M-205F-R3R	5W	36V	120MA	90	2700K	15°	415lm	369lm	ON-OFF TRIAC
						24°	415lm	355lm	1-10V
						36°	415lm	367lm	DALI
	5W	36V	120MA	90	3000K	15°	440lm	391lm	ON-OFF TRIAC
						24°	440lm	376lm	1-10V
						36°	440lm	389lm	DALI
	5W	36V	120MA	90	4000K	15°	465lm	413lm	ON-OFF TRIAC
						24°	465lm	397lm	1-10V
						36°	465lm	411lm	DALI
K-CL25M-208F-R3R	8W	36V	200MA	90	2700K	15°	691lm	579lm	ON-OFF TRIAC
						24°	691lm	509lm	1-10V
						36°	691lm	579lm	DALI
	8W	36V	200MA	90	3000K	15°	733lm	614lm	ON-OFF TRIAC
						24°	733lm	604lm	1-10V
						36°	733lm	614lm	DALI
	8W	36V	200MA	90	4000K	15°	775lm	649lm	ON-OFF TRIAC
						24°	775lm	639lm	1-10V
						36°	775lm	649lm	DALI

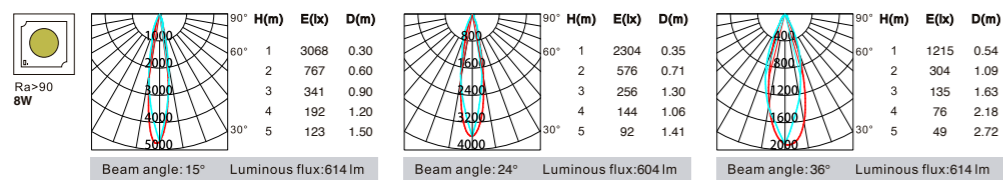
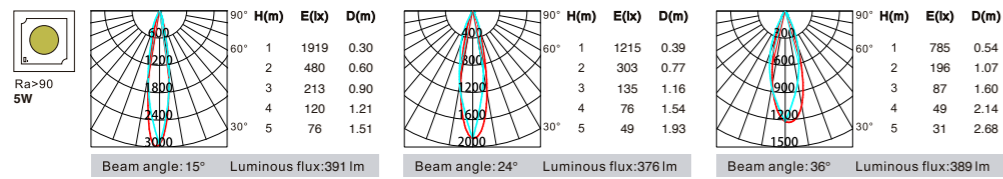


K-CL25M-R3R



Model	Power	LED voltage	LED Current	CRI	CCT	Beam Angle	LED Output	System output	Dimming Type
K-CL25M-205T-R3R	5W	36V	120MA	90	2700K	15°	415lm	369lm	ON-OFF TRIAC
						24°	415lm	355lm	1-10V
						36°	415lm	367lm	DALI
	5W	36V	120MA	90	3000K	15°	440lm	391lm	ON-OFF TRIAC
						24°	440lm	376lm	1-10V
						36°	440lm	389lm	DALI
	5W	36V	120MA	90	4000K	15°	465lm	413lm	ON-OFF TRIAC
						24°	465lm	397lm	1-10V
						36°	465lm	411lm	DALI

Model	Power	LED voltage	LED Current	CRI	CCT	Beam Angle	LED Output	System output	Dimming Type
K-CL25M-208T-R3R	5W	36V	120MA	90	2700K	15°	415lm	369lm	ON-OFF
						24°	415lm	355lm	TRIAC
						36°	415lm	367lm	1-10V DALI
5W	36V	120MA	90	3000K	15°	440lm	391lm	ON-OFF	
					24°	440lm	376lm	TRIAC	
					36°	440lm	389lm	1-10V DALI	
5W	36V	120MA	90	4000K	15°	465lm	413lm	ON-OFF	
					24°	465lm	397lm	TRIAC	
					36°	465lm	411lm	1-10V DALI	



connect



IINNO Ltd
Unit 7, 8/F, Tower B
83 King Lam Street
Lai Chi Kok, Kowloon
Hong Kong
Tel: +86 (0)769 2301 0151 / 2
WhatsApp: +86 139 2290 5402
Email: sales@iinno-lighting.com
Web: www.iinno-lighting.com

