



DL10 Series

iinno Lighting delivers certified, high-performance solutions for commercial, municipal, and industrial use, trusted by developers worldwide for quality, scale, and long-term reliability.





KS-DL10L-C



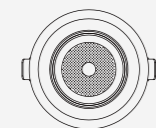
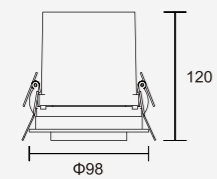
- Outstanding color rendition effect, meet the lighting demand of upscale places. 2700K/3000K/4000K, Ra>90
- Dark light technology with chip deeply hidden, well-designed dark light reflector with UGR≤ 19. Comfortable and no glare.
- Conducts the heat from the chip effectively, and ensure the lamp performance and long lifespan.
- Precise distribution and even transition. Less scattering makes vision more comfortable.

DL10L Series



KS-DL10L-C1-66

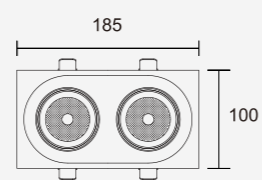
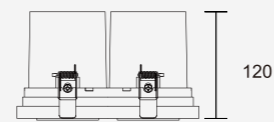
Power: 10W/15W
Cutout: 90mm
Height: 120mm



90mm

KS-DL10L-C2-66

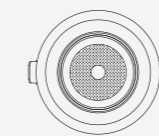
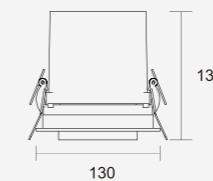
Power: 2*10W/2*15W
Cutout: 175*90mm
Height: 120mm



175*90mm

KS-DL10L-C1-80

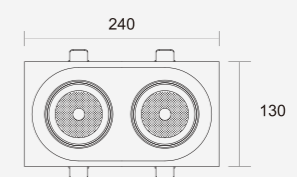
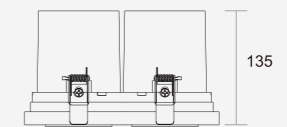
Power: 20W/30W
Cutout: 120mm
Height: 135mm



120mm

KS-DL10L-C2-80

Power: 2*20W/2*30W
Cutout: 230*120mm
Height: 135mm









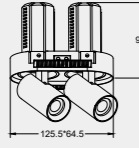
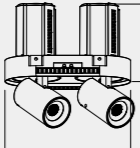
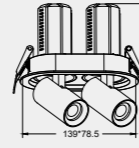
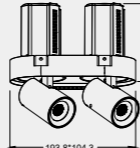
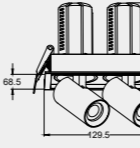
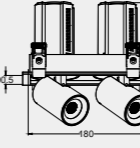
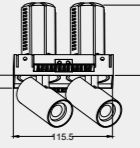
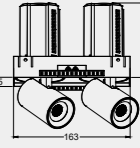


230*120mm

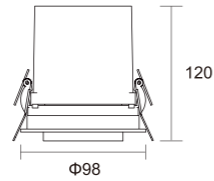
DL10L Series

| Model | KS-DL10L-E1-2 | KS-DL10L-C1-2 | KS-DL10L-C1-3 | KS-DL10L-E1-3 | | KS-DL10L-C1-66 | KS-DL10L-C2-66 | KS-DL10L-C1-80 | KS-DL10L-C2-80 |
|------------------------|---|---|---|---|--|---|---|---|---|
| Product Photo | | | | | | | | | |
| Dimension(mm) | | | | | | | | | |
| Cutout(mm) | 55 | 55 | 75 | 75 | | 90 | 175*90 | 120 | 230*120 |
| Wattage | 5W/8W | 10W/15W | 10W/12W | 10W/12W | | 10W/15W | 2*10W/2*15W | 20W/30W | 2*20W/2*30W |
| CCT | 2700K 6000K 3500K 4000K | 2700K 6000K 3500K 4000K | 2700K 6000K 3500K 4000K | 2700K 6000K 3500K 4000K | | 2700K 6000K 3500K 4000K | 2700K 6000K 3500K 4000K | 2700K 6000K 3500K 4000K | 2700K 6000K 3500K 4000K |
| CRI | >90 | >90 | >90 | >90 | | >90 | >90 | >90 | >90 |
| Beam Angle | 15°/24°/36°/50° | 15°/24°/36°/50° | 15°/24°/36°/50° | 15°/24°/36°/50° | | 15°/24°/36° | 15°/24°/36° | 15°/24°/36° | 15°/24°/36° |
| Lumen | 392-742LM | 392-742LM | 756-1083LM | 758-1083LM | | 618-1514LM | 1211-3030LM | 1567-2981LM | 3151-5929LM |
| IP | IP20 | IP20 | IP20 | IP20 | | IP20 | IP20 | IP20 | IP20 |
| Dimming | TRIAC/1-10V/DALL | TRIAC/1-10V/DALL | TRIAC/1-10V/DALL | TRIAC/1-10V/DALL | | TRIAC/1-10V/DALL | TRIAC/1-10V/DALL | TRIAC/1-10V/DALL | TRIAC/1-10V/DALL |
| Accessory Installation | Highly specular aluminium UV processed black cup Gold | Highly specular aluminium UV processed black cup Gold | Highly specular aluminium UV processed black cup Gold | Highly specular aluminium UV processed black cup Gold | | Highly specular aluminium UV processed black cup Gold | Highly specular aluminium UV processed black cup Gold | Highly specular aluminium UV processed black cup Gold | Highly specular aluminium UV processed black cup Gold |
| Colour | White+Black | White+Black | White+Black | White+Black | | White+Black | White+Black | White+Black | White+Black |

DL10L Series

| Model | KS-DL10L-E2-2 | KS-DL10L-E2-3 | KS-DL10L-C2-2 | KS-DL10L-C2-3 | | KS-DL10L-S2-2 | KS-DL10L-S2-3 | KS-DL10L-SE2-2 | KS-DL10L-SE2-3 |
|------------------------|---|---|--|---|--|---|---|---|---|
| Product Photo |  |  |  |  | |  |  |  |  |
| Dimension (mm) |  |  |  |  | |  |  |  |  |
| Cutout(mm) | 128.5*67.5 | 180*90.5 | 126*65 | 177.5*88 | | 121.5*60 | 164*77 | 123.5*62.5 | 166.5*79.5 |
| Wattage | 10W/16W | 20W/24W | 10W/16W | 20W/24W | | 10W/16W | 20W/24W | 10W/16W | 20W/24W |
| CCT | 2700K 3000K 3500K 4000K | 2700K 3000K 3500K 4000K | 2700K 3000K 3500K 4000K | 2700K 3000K 3500K 4000K | | 2700K 3000K 3500K 4000K | 2700K 3000K 3500K 4000K | 2700K 3000K 3500K 4000K | 2700K 3000K 3500K 4000K |
| CRI | >90 | >90 | >90 | >90 | | >90 | >90 | >90 | >90 |
| Beam Angle | 15°/24°/36°/50° | 15°/24°/36°/50° | 15°/24°/36°/50° | 15°/24°/36°/50° | | 15°/24°/36°/50° | 15°/24°/36°/50° | 15°/24°/36°/50° | 15°/24°/36°/50° |
| Lumen | 784-1484LM | 1512-2166LM | 784-1484LM | 1512-2166LM | | 784-1484LM | 1512-2166LM | 784-1484LM | 1512-2166LM |
| IP | IP20 | IP20 | IP20 | IP20 | | IP20 | IP20 | IP20 | IP20 |
| Dimming | TRIAC/1-10V/DALL | TRIAC/1-10V/DALL | TRIAC/1-10V/DALL | TRIAC/1-10V/DALL | | TRIAC/1-10V/DALL | TRIAC/1-10V/DALL | TRIAC/1-10V/DALL | TRIAC/1-10V/DALL |
| Accessory Installation | Highly specular aluminium UV processed black cup Gold | Highly specular aluminium UV processed black cup Gold | Highly specular aluminium UV processed black cup Gold | Highly specular aluminium UV processed black cup Gold | | Highly specular aluminium UV processed black cup Gold | Highly specular aluminium UV processed black cup Gold | Highly specular aluminium UV processed black cup Gold | Highly specular aluminium UV processed black cup Gold |
| Colour | White+black | White+black | White+black | White+black | | White+black | White+black | White+black | White+black |

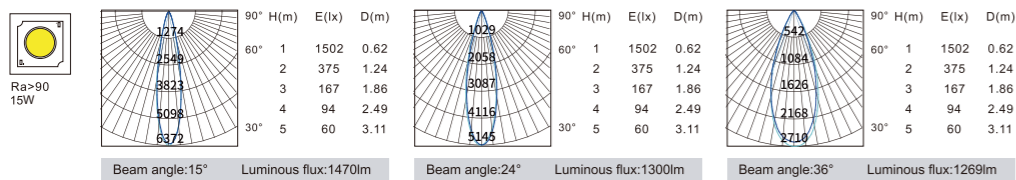
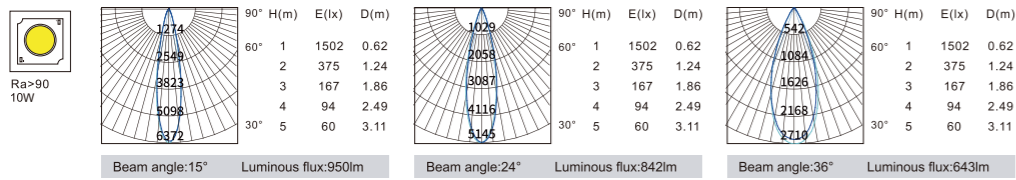
KS-DL10L-C1-6



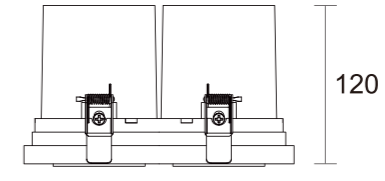
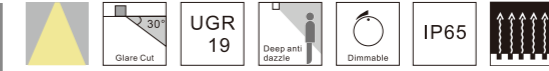
Ø 90-95mm



| Model | Power | LED voltage | LED Current | CRI | CCT | Beam Angle | LED Output | System output | Dimming Type |
|------------------|-------|-------------|-------------|-----|-------|------------|------------|---------------|--------------|
| KS-DL10L-C1-6610 | 10W | 36V | 250mA | 90 | 2700K | 15° | 927lm | 914lm | ON-OFF TRIAC |
| | | | | | | 24° | 927lm | 810lm | 1-10V DALI |
| | | | | | | 36° | 927lm | 618lm | |
| KS-DL10L-C1-6615 | 10W | 36V | 250mA | 90 | 3000K | 15° | 963lm | 950lm | ON-OFF TRIAC |
| | | | | | | 24° | 963lm | 842lm | 1-10V DALI |
| | | | | | | 36° | 963lm | 643lm | |
| KS-DL10L-C1-6615 | 10W | 36V | 250mA | 90 | 4000K | 15° | 1008lm | 994lm | ON-OFF TRIAC |
| | | | | | | 24° | 1008lm | 881lm | 1-10V DALI |
| | | | | | | 36° | 1008lm | 673lm | |
| KS-DL10L-C1-6615 | 15W | 36V | 350mA | 90 | 2700K | 15° | 1437lm | 1289lm | ON-OFF TRIAC |
| | | | | | | 24° | 1437lm | 1140lm | 1-10V DALI |
| | | | | | | 36° | 1437lm | 1113lm | |
| KS-DL10L-C1-6615 | 15W | 36V | 350mA | 90 | 3000K | 15° | 1638lm | 1470lm | ON-OFF TRIAC |
| | | | | | | 24° | 1638lm | 1300lm | 1-10V DALI |
| | | | | | | 36° | 1638lm | 1269lm | |
| KS-DL10L-C1-6615 | 15W | 36V | 350mA | 90 | 4000K | 15° | 1688lm | 1514lm | ON-OFF TRIAC |
| | | | | | | 24° | 1688lm | 1339lm | 1-10V DALI |
| | | | | | | 36° | 1688lm | 1308lm | |



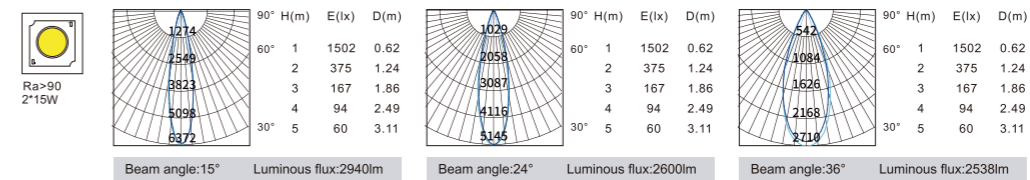
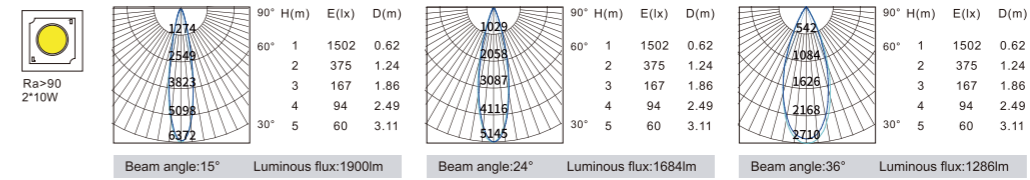
KS-DL10L-C2-6



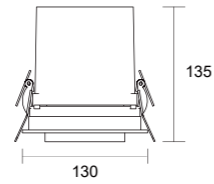
183
175*90mm



| Model | Power | LED voltage | LED Current | CRI | CCT | Beam Angle | LED Output | System output | Dimming Type |
|------------------|-------|-------------|-------------|-----|-------|------------|------------|---------------|--------------|
| KS-DL10L-C2-6620 | 2*10W | 36V | 500mA | 90 | 2700K | 15° | 1950lm | 1789lm | ON-OFF TRIAC |
| | | | | | | 24° | 1950lm | 1586lm | 1-10V DALI |
| | | | | | | 36° | 1950lm | 1211lm | |
| KS-DL10L-C2-6630 | 2*10W | 36V | 500mA | 90 | 3000K | 15° | 2070lm | 1900lm | ON-OFF TRIAC |
| | | | | | | 24° | 2070lm | 1684lm | 1-10V DALI |
| | | | | | | 36° | 2070lm | 1286lm | |
| KS-DL10L-C2-6630 | 2*10W | 36V | 500mA | 90 | 4000K | 15° | 2200lm | 2019lm | ON-OFF TRIAC |
| | | | | | | 24° | 2200lm | 1789lm | 1-10V DALI |
| | | | | | | 36° | 2200lm | 1366lm | |
| KS-DL10L-C2-6630 | 2*15W | 36V | 700mA | 90 | 2700K | 15° | 2674lm | 2579lm | ON-OFF TRIAC |
| | | | | | | 24° | 2674lm | 2281lm | 1-10V DALI |
| | | | | | | 36° | 2674lm | 2226lm | |
| KS-DL10L-C2-6630 | 2*15W | 36V | 700mA | 90 | 3000K | 15° | 3274lm | 2940lm | ON-OFF TRIAC |
| | | | | | | 24° | 3274lm | 2600lm | 1-10V DALI |
| | | | | | | 36° | 3274lm | 2538lm | |
| KS-DL10L-C2-6630 | 2*15W | 36V | 700mA | 90 | 4000K | 15° | 3376lm | 3030lm | ON-OFF TRIAC |
| | | | | | | 24° | 3376lm | 2676lm | 1-10V DALI |
| | | | | | | 36° | 3376lm | 2616lm | |



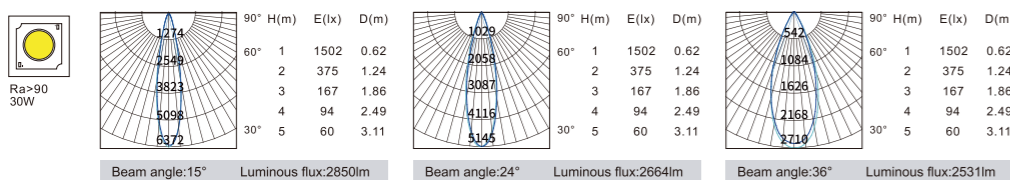
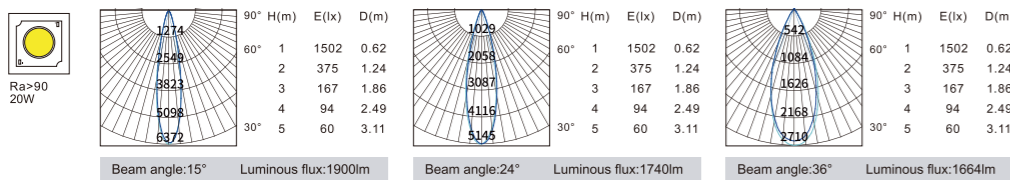
KS-DL10L-C1-8



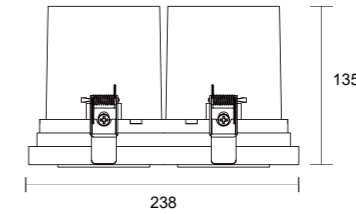
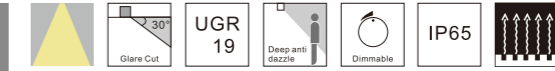
Ø 120-125mm



| Model | Power | LED voltage | LED Current | CRI | CCT | Beam Angle | LED Output | System output | Dimming Type |
|------------------|-------|-------------|-------------|-----|-------|------------|------------|---------------|--------------|
| KS-DL10L-C1-8020 | 20W | 36V | 500mA | 90 | 2700K | 15° | 1950lm | 1789lm | ON-OFF TRIAC |
| | | | | | | 24° | 1950lm | 1639lm | 1-10V DALI |
| | | | | | | 36° | 1950lm | 1567lm | |
| KS-DL10L-C1-8030 | 20W | 36V | 500mA | 90 | 3000K | 15° | 2070lm | 1900lm | ON-OFF TRIAC |
| | | | | | | 24° | 2070lm | 1740lm | 1-10V DALI |
| | | | | | | 36° | 2070lm | 1664lm | |
| KS-DL10L-C1-8030 | 20W | 36V | 500mA | 90 | 4000K | 15° | 2200lm | 2019lm | ON-OFF TRIAC |
| | | | | | | 24° | 2200lm | 1849lm | 1-10V DALI |
| | | | | | | 36° | 2200lm | 1768lm | |
| KS-DL10L-C1-8030 | 30W | 36V | 700mA | 90 | 2700K | 15° | 2820lm | 2666lm | ON-OFF TRIAC |
| | | | | | | 24° | 2820lm | 2492lm | 1-10V DALI |
| | | | | | | 36° | 2820lm | 2367lm | |
| KS-DL10L-C1-8030 | 30W | 36V | 700mA | 90 | 3000K | 15° | 2980lm | 2850lm | ON-OFF TRIAC |
| | | | | | | 24° | 2980lm | 2664lm | 1-10V DALI |
| | | | | | | 36° | 2980lm | 2531lm | |
| KS-DL10L-C1-8030 | 30W | 36V | 700mA | 90 | 4000K | 15° | 3090lm | 2896lm | ON-OFF TRIAC |
| | | | | | | 24° | 3090lm | 2981lm | 1-10V DALI |
| | | | | | | 36° | 3090lm | 2845lm | |



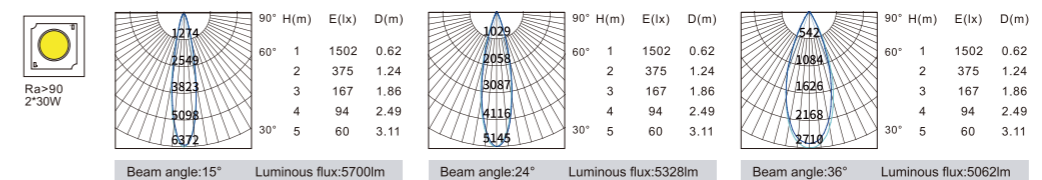
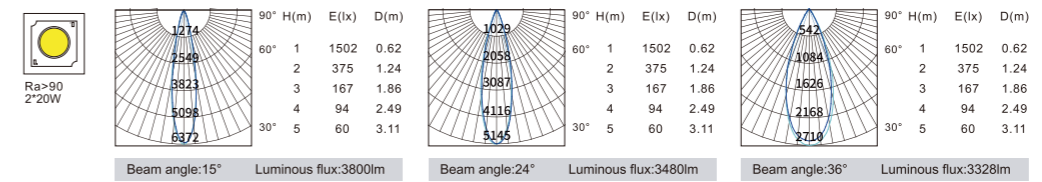
KS-DL10L-C2-8



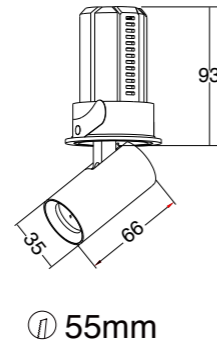
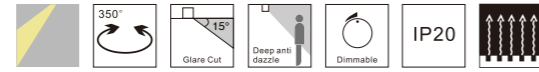
230*120mm



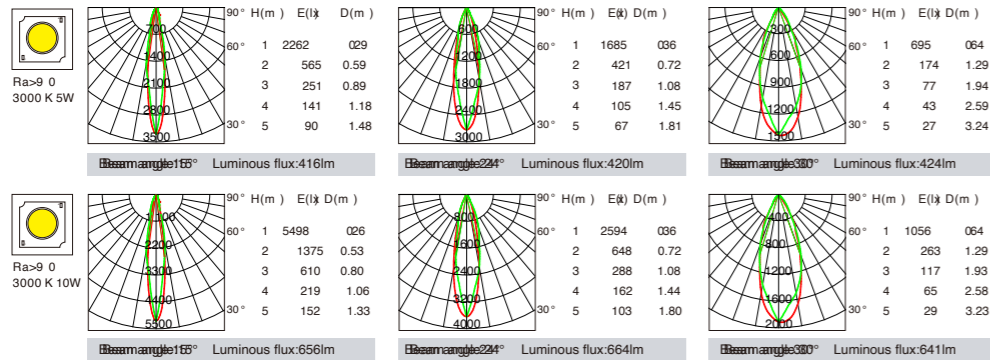
| Model | Power | LED voltage | LED Current | CRI | CCT | Beam Angle | LED Output | System output | Dimming Type |
|------------------|-------|-------------|-------------|-----|-------|------------|------------|---------------|--------------|
| KS-DL10L-C2-8040 | 2*20W | 36V | 500mA | 90 | 2700K | 15° | 3920lm | 3598lm | ON-OFF TRIAC |
| | | | | | | 24° | 3920lm | 3295lm | 1-10V DALI |
| | | | | | | 36° | 3920lm | 3151lm | |
| KS-DL10L-C2-8060 | 2*20W | 36V | 500mA | 90 | 3000K | 15° | 4140lm | 3800lm | ON-OFF TRIAC |
| | | | | | | 24° | 4140lm | 3480lm | 1-10V DALI |
| | | | | | | 36° | 4140lm | 3328lm | |
| KS-DL10L-C2-8060 | 2*20W | 36V | 500mA | 90 | 4000K | 15° | 4500lm | 4129lm | ON-OFF TRIAC |
| | | | | | | 24° | 4500lm | 3781lm | 1-10V DALI |
| | | | | | | 36° | 4500lm | 3617lm | |
| KS-DL10L-C2-8060 | 2*30W | 36V | 700mA | 90 | 2700K | 15° | 5654lm | 5365lm | ON-OFF TRIAC |
| | | | | | | 24° | 5654lm | 5015lm | 1-10V DALI |
| | | | | | | 36° | 5654lm | 4765lm | |
| KS-DL10L-C2-8060 | 2*30W | 36V | 700mA | 90 | 3000K | 15° | 6006lm | 5700lm | ON-OFF TRIAC |
| | | | | | | 24° | 6006lm | 5328lm | 1-10V DALI |
| | | | | | | 36° | 6006lm | 5062lm | |
| KS-DL10L-C2-8060 | 2*30W | 36V | 700mA | 90 | 4000K | 15° | 6248lm | 5929lm | ON-OFF TRIAC |
| | | | | | | 24° | 6248lm | 5542lm | 1-10V DALI |
| | | | | | | 36° | 6248lm | 5265lm | |



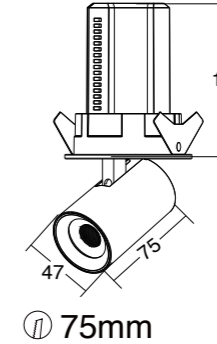
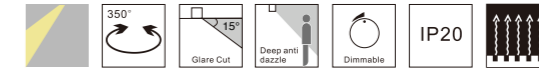
KS-DL10L-C1-2



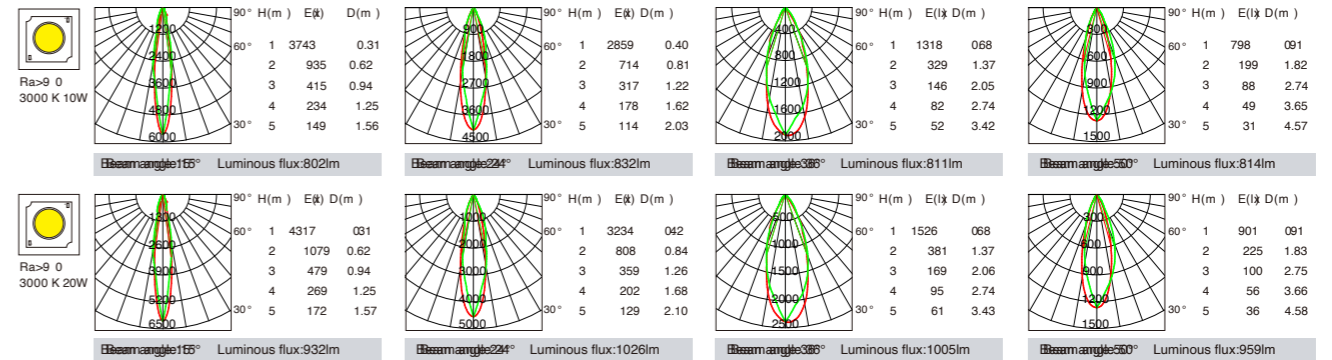
| Model | Power | LED voltage | LED Current | CRI | CCT | Beam Angle | LED Output | System output | Dimming Type |
|-----------------|-------|-------------|-------------|-----|-------|------------|------------|---------------|--------------|
| KS-DL10L-C1-205 | 5W | 36V | 120mA | 90 | 2700K | 15° | 415lm | 392lm | ON-OFF |
| | | | | | | 24° | 415lm | 396lm | TRIAC |
| | | | | | | 36° | 415lm | 399lm | 1-10V |
| | | | | | | 50° | 415lm | 402lm | DALI |
| | 5W | 36V | 120mA | 90 | 3000K | 15° | 440lm | 416lm | ON-OFF |
| | | | | | | 24° | 440lm | 420lm | TRIAC |
| | | | | | | 36° | 440lm | 424lm | 1-10V |
| | | | | | | 50° | 440lm | 427lm | DALI |
| | 5W | 36V | 120mA | 90 | 4000K | 15° | 465lm | 439lm | ON-OFF |
| | | | | | | 24° | 465lm | 443lm | TRIAC |
| | | | | | | 36° | 465lm | 448lm | 1-10V |
| | | | | | | 50° | 465lm | 451lm | DALI |
| KS-DL10L-C1-208 | 8W | 36V | 200mA | 90 | 2700K | 15° | 691lm | 618lm | ON-OFF |
| | | | | | | 24° | 691lm | 625lm | TRIAC |
| | | | | | | 36° | 691lm | 604lm | 1-10V |
| | | | | | | 50° | 691lm | 661lm | DALI |
| | 8W | 36V | 200mA | 90 | 3000K | 15° | 733lm | 656lm | ON-OFF |
| | | | | | | 24° | 733lm | 664lm | TRIAC |
| | | | | | | 36° | 733lm | 641lm | 1-10V |
| | | | | | | 50° | 733lm | 702lm | DALI |
| | 8W | 36V | 200mA | 90 | 4000K | 15° | 775lm | 693lm | ON-OFF |
| | | | | | | 24° | 775lm | 702lm | TRIAC |
| | | | | | | 36° | 775lm | 677lm | 1-10V |
| | | | | | | 50° | 775lm | 742lm | DALI |



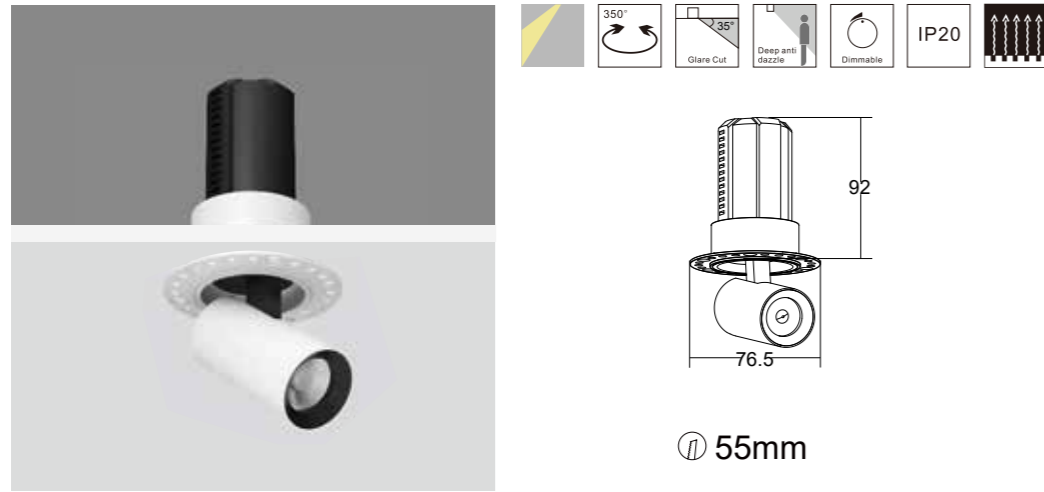
KS-DL10L-C2-3



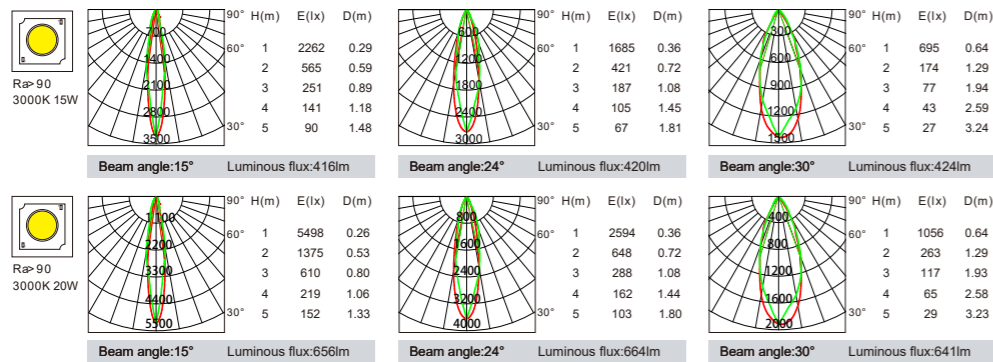
| Model | Power | LED voltage | LED Current | CRI | CCT | Beam Angle | LED Output | System output | Dimming Type |
|-----------------|-------|-------------|-------------|-----|-------|------------|------------|---------------|--------------|
| KS-DL10L-C1-310 | 10W | 36V | 250mA | 90 | 2700K | 15° | 864lm | 756lm | ON-OFF |
| | | | | | | 24° | 864lm | 784lm | TRIAC |
| | | | | | | 36° | 864lm | 764lm | 1-10V |
| | | | | | | 50° | 864lm | 767lm | DALI |
| | 10W | 36V | 250mA | 90 | 3000K | 15° | 916lm | 802lm | ON-OFF |
| | | | | | | 24° | 916lm | 832lm | TRIAC |
| | | | | | | 36° | 916lm | 811lm | 1-10V |
| | | | | | | 50° | 916lm | 814lm | DALI |
| | 10W | 36V | 250mA | 90 | 4000K | 15° | 968lm | 876lm | ON-OFF |
| | | | | | | 24° | 968lm | 859lm | TRIAC |
| | | | | | | 36° | 968lm | 857lm | 1-10V |
| | | | | | | 50° | 968lm | 860lm | DALI |
| KS-DL10L-C1-312 | 12W | 36V | 300mA | 90 | 2700K | 15° | 1037lm | 878lm | ON-OFF |
| | | | | | | 24° | 1037lm | 967lm | TRIAC |
| | | | | | | 36° | 1037lm | 947lm | 1-10V |
| | | | | | | 50° | 1037lm | 904lm | DALI |
| | 12W | 36V | 300mA | 90 | 3000K | 15° | 1100lm | 932lm | ON-OFF |
| | | | | | | 24° | 1100lm | 1026lm | TRIAC |
| | | | | | | 36° | 1100lm | 1005lm | 1-10V |
| | | | | | | 50° | 1100lm | 959lm | DALI |
| | 12W | 36V | 300mA | 90 | 4000K | 15° | 1162lm | 984lm | ON-OFF |
| | | | | | | 24° | 1162lm | 1083lm | TRIAC |
| | | | | | | 36° | 1162lm | 1061lm | 1-10V |
| | | | | | | 50° | 1162lm | 1013lm | DALI |



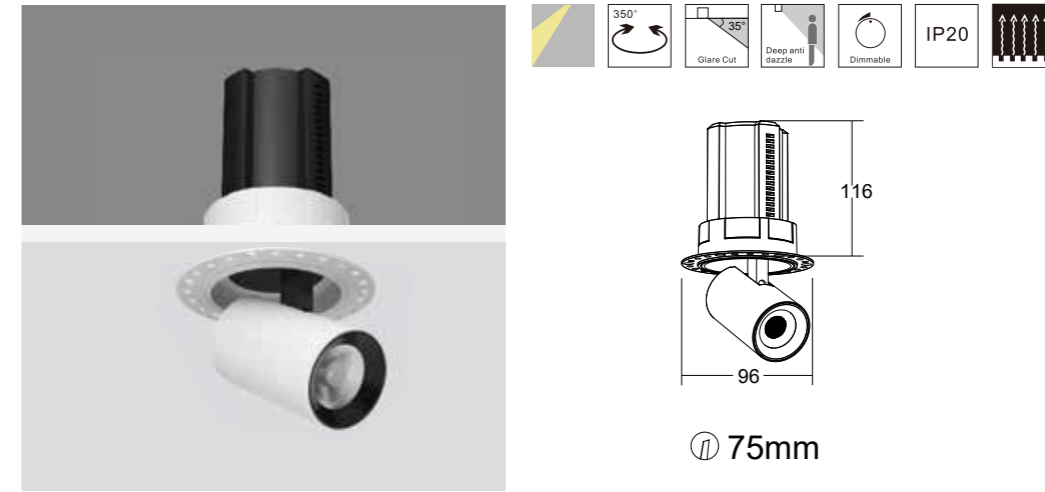
KS-DL10L-E1-2



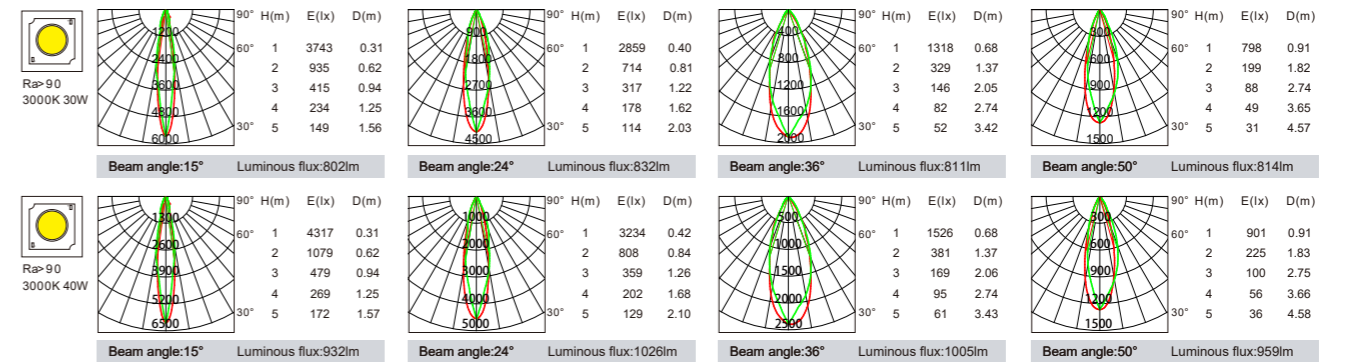
| Model | Power | LED voltage | LED Current | CRI | CCT | Beam Angle | LED Output | System output | Dimming Type |
|-----------------|-------|-------------|-------------|-----|-------|------------|------------|---------------|--------------|
| KS-DL10L-E1-205 | 5W | 36V | 120mA | 90 | 2700K | 15° | 415lm | 392lm | ON-OFF |
| | | | | | | 24° | 415lm | 396lm | TRIAC |
| | | | | | | 36° | 415lm | 399lm | 1-10V |
| | | | | | | 50° | 415lm | 402lm | DALI |
| | 5W | 36V | 120mA | 90 | 3000K | 15° | 440lm | 416lm | ON-OFF |
| | | | | | | 24° | 440lm | 420lm | TRIAC |
| | | | | | | 36° | 440lm | 424lm | 1-10V |
| | | | | | | 50° | 440lm | 427lm | DALI |
| | 5W | 36V | 120mA | 90 | 4000K | 15° | 465lm | 439lm | ON-OFF |
| | | | | | | 24° | 465lm | 443lm | TRIAC |
| | | | | | | 36° | 465lm | 448lm | 1-10V |
| | | | | | | 50° | 465lm | 451lm | DALI |
| KS-DL10L-E1-208 | 8W | 36V | 200mA | 90 | 2700K | 15° | 691lm | 618lm | ON-OFF |
| | | | | | | 24° | 691lm | 625lm | TRIAC |
| | | | | | | 36° | 691lm | 604lm | 1-10V |
| | | | | | | 50° | 691lm | 661lm | DALI |
| | 8W | 36V | 200mA | 90 | 3000K | 15° | 733lm | 656lm | ON-OFF |
| | | | | | | 24° | 733lm | 664lm | TRIAC |
| | | | | | | 36° | 733lm | 641lm | 1-10V |
| | | | | | | 50° | 733lm | 702lm | DALI |
| | 8W | 36V | 200mA | 90 | 4000K | 15° | 775lm | 693lm | ON-OFF |
| | | | | | | 24° | 775lm | 702lm | TRIAC |
| | | | | | | 36° | 775lm | 677lm | 1-10V |
| | | | | | | 50° | 775lm | 742lm | DALI |



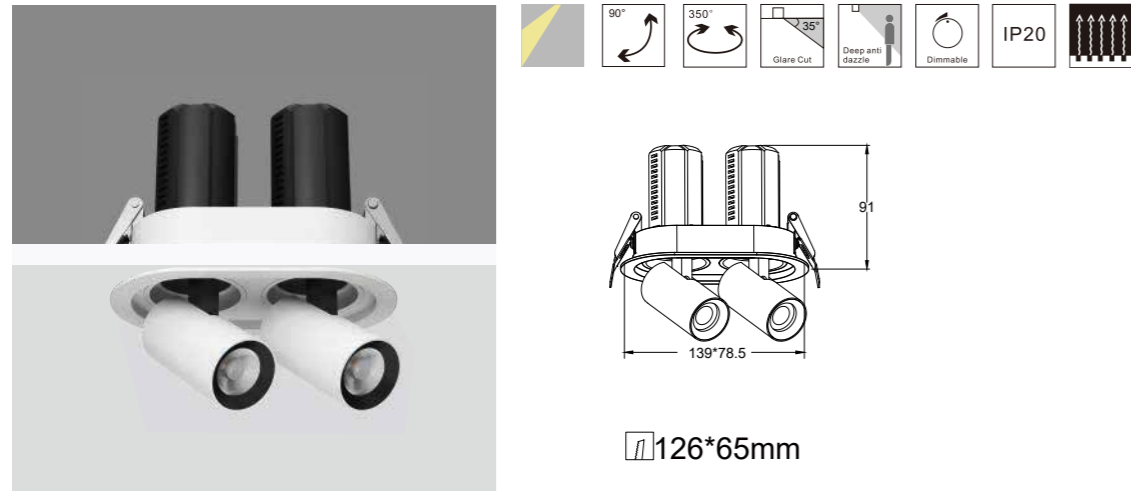
KS-DL10L-E1-3



| Model | Power | LED voltage | LED Current | CRI | CCT | Beam Angle | LED Output | System output | Dimming Type |
|-----------------|-------|-------------|-------------|-----|-------|------------|------------|---------------|--------------|
| KS-DL10L-E1-310 | 10W | 36V | 250mA | 90 | 2700K | 15° | 864lm | 756lm | ON-OFF |
| | | | | | | 24° | 864lm | 784lm | TRIAC |
| | | | | | | 36° | 864lm | 764lm | 1-10V |
| | | | | | | 50° | 864lm | 767lm | DALI |
| | 10W | 36V | 250mA | 90 | 3000K | 15° | 916lm | 802lm | ON-OFF |
| | | | | | | 24° | 916lm | 832lm | TRIAC |
| | | | | | | 36° | 916lm | 811lm | 1-10V |
| | | | | | | 50° | 916lm | 814lm | DALI |
| | 10W | 36V | 250mA | 90 | 4000K | 15° | 968lm | 876lm | ON-OFF |
| | | | | | | 24° | 968lm | 859lm | TRIAC |
| | | | | | | 36° | 968lm | 857lm | 1-10V |
| | | | | | | 50° | 968lm | 860lm | DALI |
| KS-DL10L-E1-312 | 12W | 36V | 300mA | 90 | 2700K | 15° | 1037lm | 878lm | ON-OFF |
| | | | | | | 24° | 1037lm | 967lm | TRIAC |
| | | | | | | 36° | 1037lm | 947lm | 1-10V |
| | | | | | | 50° | 1037lm | 904lm | DALI |
| | 12W | 36V | 300mA | 90 | 3000K | 15° | 1100lm | 932lm | ON-OFF |
| | | | | | | 24° | 1100lm | 1026lm | TRIAC |
| | | | | | | 36° | 1100lm | 1005lm | 1-10V |
| | | | | | | 50° | 1100lm | 959lm | DALI |
| | 12W | 36V | 300mA | 90 | 4000K | 15° | 1162lm | 984lm | ON-OFF |
| | | | | | | 24° | 1162lm | 1083lm | TRIAC |
| | | | | | | 36° | 1162lm | 1061lm | 1-10V |
| | | | | | | 50° | 1162lm | 1013lm | DALI |

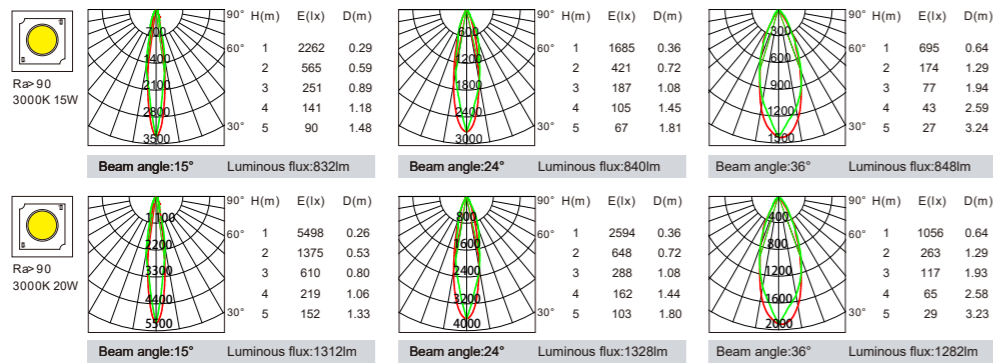


KS-DL10L-C2-2

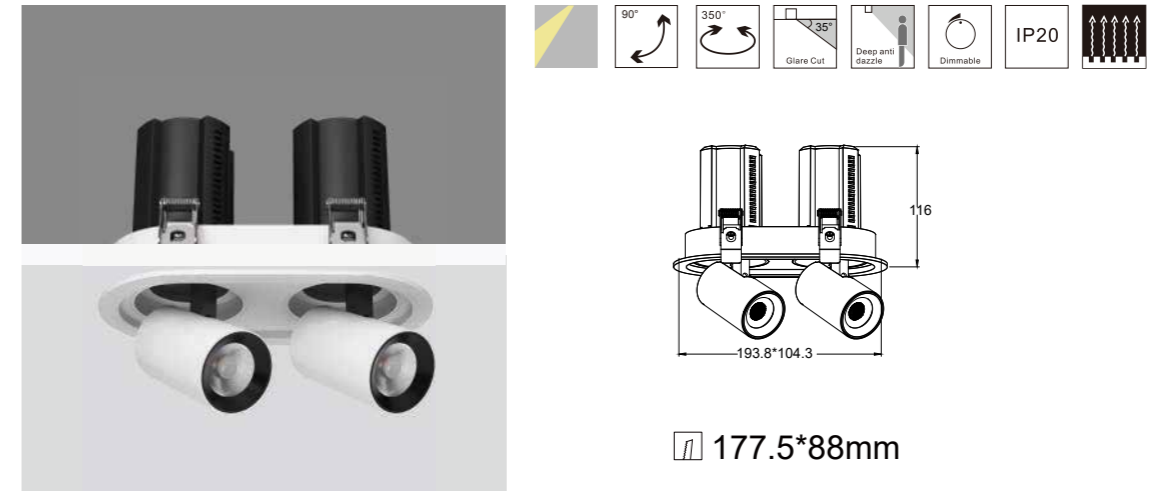


126*65mm

| Model | Power | LED voltage | LED Current | CRI | CCT | Beam Angle | LED Output | System output | Dimming Type |
|-----------------|-------|-------------|-------------|-----|-------|------------|------------|---------------|--------------|
| KS-DL10L-C2-210 | 10W | 36V | 2*120mA | 90 | 2700K | 15° | 415*2lm | 784lm | ON-OFF |
| | | | | | | 24° | 415*2lm | 792lm | TRIAC |
| | | | | | | 36° | 415*2lm | 798lm | 1-10V |
| | | | | | | 50° | 415*2lm | 804lm | DALI |
| | 10W | 36V | 2*120mA | 90 | 3000K | 15° | 440*2lm | 832lm | ON-OFF |
| | | | | | | 24° | 440*2lm | 840lm | TRIAC |
| | | | | | | 36° | 440*2lm | 848lm | 1-10V |
| | | | | | | 50° | 440*2lm | 854lm | DALI |
| | 10W | 36V | 2*120mA | 90 | 4000K | 15° | 465*2lm | 478lm | ON-OFF |
| | | | | | | 24° | 465*2lm | 886lm | TRIAC |
| | | | | | | 36° | 465*2lm | 896lm | 1-10V |
| | | | | | | 50° | 465*2lm | 902lm | DALI |
| KS-DL10L-C2-216 | 16W | 36V | 2*200mA | 90 | 2700K | 15° | 691*2lm | 1236lm | ON-OFF |
| | | | | | | 24° | 691*2lm | 1250lm | TRIAC |
| | | | | | | 36° | 691*2lm | 1208lm | 1-10V |
| | | | | | | 50° | 691*2lm | 1322lm | DALI |
| | 16W | 36V | 2*200mA | 90 | 3000K | 15° | 733*2lm | 1312lm | ON-OFF |
| | | | | | | 24° | 733*2lm | 1328lm | TRIAC |
| | | | | | | 36° | 733*2lm | 1282lm | 1-10V |
| | | | | | | 50° | 733*2lm | 1404lm | DALI |
| | 16W | 36V | 2*200mA | 90 | 4000K | 15° | 775*2lm | 1386lm | ON-OFF |
| | | | | | | 24° | 775*2lm | 1404lm | TRIAC |
| | | | | | | 36° | 775*2lm | 1354lm | 1-10V |
| | | | | | | 50° | 775*2lm | 1484lm | DALI |

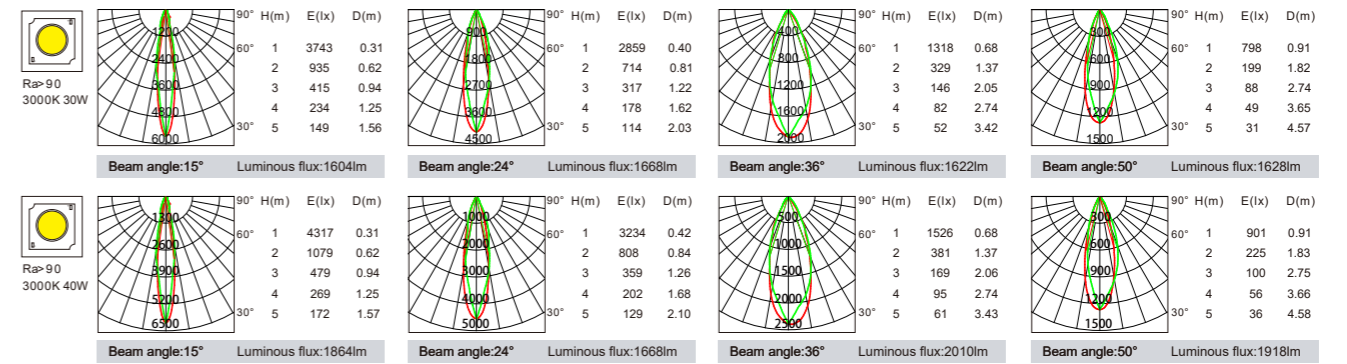


KS-DL10L-C2-3

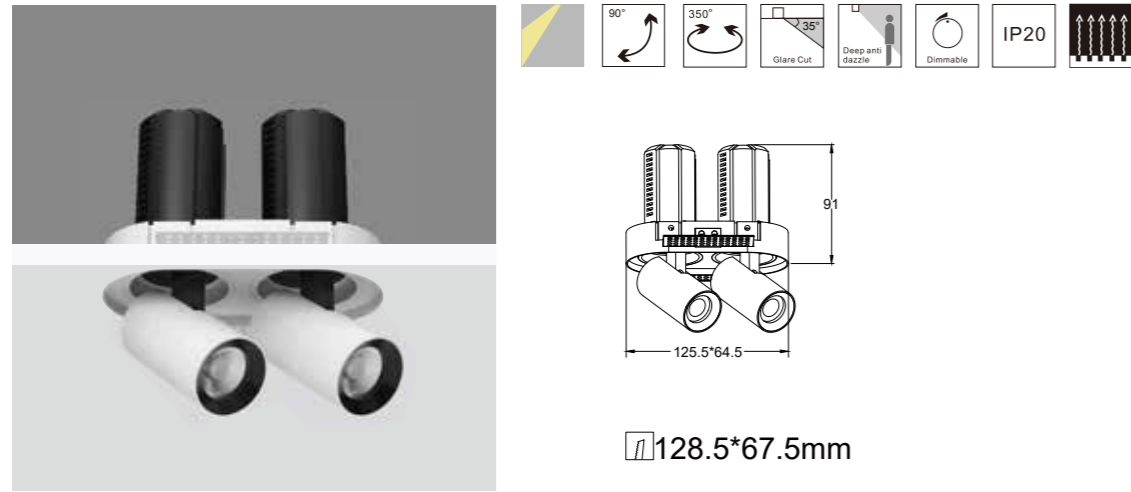


177.5*88mm

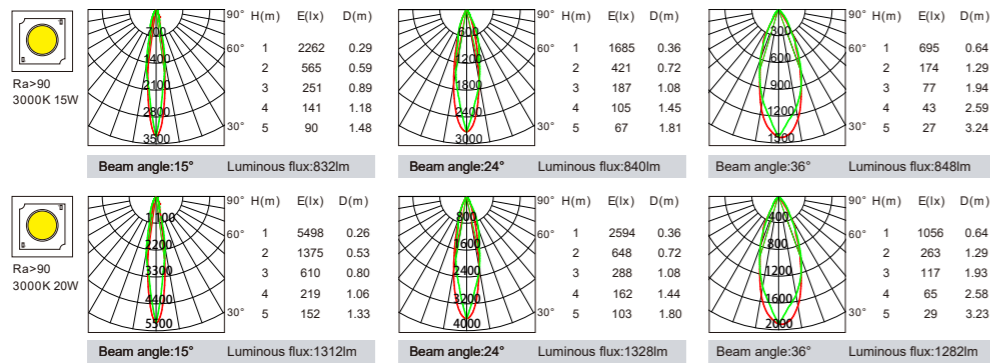
| Model | Power | LED voltage | LED Current | CRI | CCT | Beam Angle | LED Output | System output | Dimming Type |
|-----------------|-------|-------------|-------------|-----|-------|------------|------------|---------------|--------------|
| KS-DL10L-C2-320 | 20W | 36V | 2*250mA | 90 | 2700K | 15° | 864*2lm | 1512lm | ON-OFF |
| | | | | | | 24° | 864*2lm | 1568lm | TRIAC |
| | | | | | | 36° | 864*2lm | 1528lm | 1-10V |
| | | | | | | 50° | 864*2lm | 1534lm | DALI |
| | 20W | 36V | 2*250mA | 90 | 3000K | 15° | 916*2lm | 1604lm | ON-OFF |
| | | | | | | 24° | 916*2lm | 1668lm | TRIAC |
| | | | | | | 36° | 916*2lm | 1622lm | 1-10V |
| | | | | | | 50° | 916*2lm | 1628lm | DALI |
| | 20W | 36V | 2*250mA | 90 | 4000K | 15° | 968*2lm | 1752lm | ON-OFF |
| | | | | | | 24° | 968*2lm | 1718lm | TRIAC |
| | | | | | | 36° | 968*2lm | 1714lm | 1-10V |
| | | | | | | 50° | 968*2lm | 1720lm | DALI |
| KS-DL10L-C2-324 | 24W | 36V | 2*300mA | 90 | 2700K | 15° | 1037*2lm | 1756lm | ON-OFF |
| | | | | | | 24° | 1037*2lm | 1934lm | TRIAC |
| | | | | | | 36° | 1037*2lm | 1894lm | 1-10V |
| | | | | | | 50° | 1037*2lm | 1808lm | DALI |
| | 24W | 36V | 2*300mA | 90 | 3000K | 15° | 1100*2lm | 1864lm | ON-OFF |
| | | | | | | 24° | 1100*2lm | 2052lm | TRIAC |
| | | | | | | 36° | 1100*2lm | 2010lm | 1-10V |
| | | | | | | 50° | 1100*2lm | 1918lm | DALI |
| | 24W | 36V | 2*300mA | 90 | 4000K | 15° | 1162*2lm | 1968lm | ON-OFF |
| | | | | | | 24° | 1162*2lm | 2166lm | TRIAC |
| | | | | | | 36° | 1162*2lm | 2122lm | 1-10V |
| | | | | | | 50° | 1162*2lm | 2026lm | DALI |



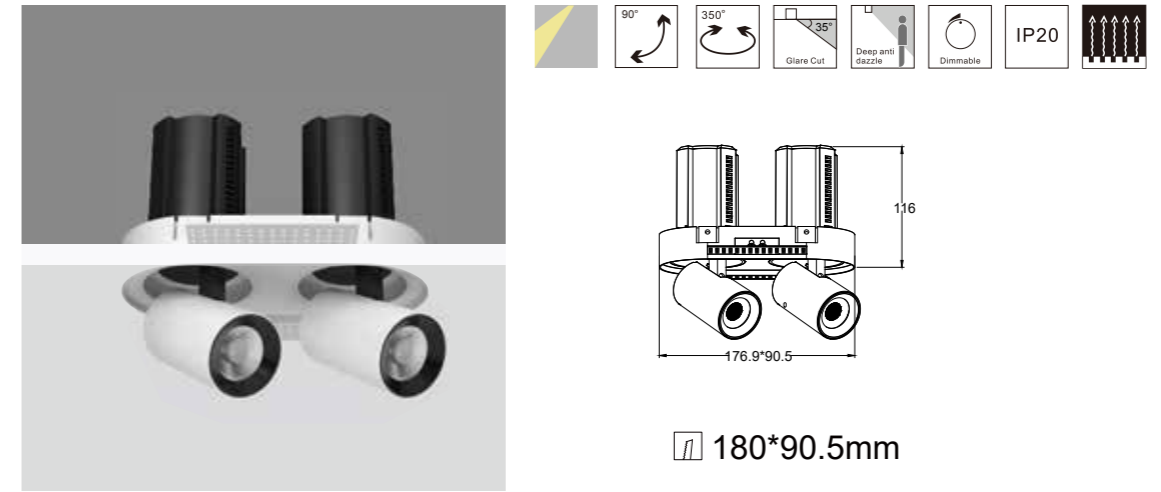
KS-DL10L-E2-2



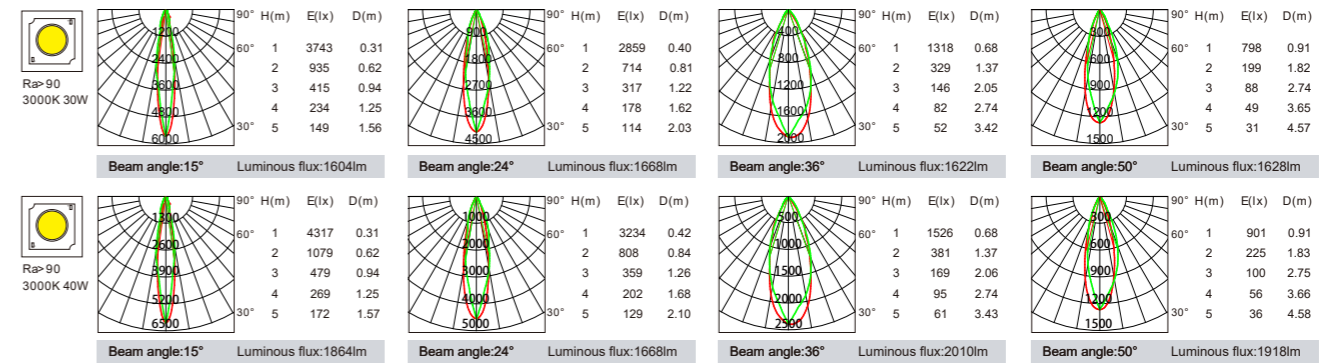
| Model | Power | LED voltage | LED Current | CRI | CCT | Beam Angle | LED Output | System output | Dimming Type |
|-----------------|-------|-------------|-------------|-----|-------|------------|------------|---------------|--------------|
| KS-DL10L-E2-210 | 10W | 36V | 2*120mA | 90 | 2700K | 15° | 415*2lm | 784lm | ON-OFF |
| | | | | | | 24° | 415*2lm | 792lm | TRIAC |
| | | | | | | 36° | 415*2lm | 798lm | 1-10V |
| | | | | | | 50° | 415*2lm | 804lm | DALI |
| | 10W | 36V | 2*120mA | 90 | 3000K | 15° | 440*2lm | 832lm | ON-OFF |
| | | | | | | 24° | 440*2lm | 840lm | TRIAC |
| | | | | | | 36° | 440*2lm | 848lm | 1-10V |
| | | | | | | 50° | 440*2lm | 854lm | DALI |
| | 10W | 36V | 2*120mA | 90 | 4000K | 15° | 465*2lm | 478lm | ON-OFF |
| | | | | | | 24° | 465*2lm | 886lm | TRIAC |
| | | | | | | 36° | 465*2lm | 896lm | 1-10V |
| | | | | | | 50° | 465*2lm | 902lm | DALI |
| KS-DL10L-E2-216 | 16W | 36V | 2*200mA | 90 | 2700K | 15° | 691*2lm | 1236lm | ON-OFF |
| | | | | | | 24° | 691*2lm | 1250lm | TRIAC |
| | | | | | | 36° | 691*2lm | 1208lm | 1-10V |
| | | | | | | 50° | 691*2lm | 1322lm | DALI |
| | 16W | 36V | 2*200mA | 90 | 3000K | 15° | 733*2lm | 1312lm | ON-OFF |
| | | | | | | 24° | 733*2lm | 1328lm | TRIAC |
| | | | | | | 36° | 733*2lm | 1282lm | 1-10V |
| | | | | | | 50° | 733*2lm | 1404lm | DALI |
| | 16W | 36V | 2*200mA | 90 | 4000K | 15° | 775*2lm | 1386lm | ON-OFF |
| | | | | | | 24° | 775*2lm | 1404lm | TRIAC |
| | | | | | | 36° | 775*2lm | 1354lm | 1-10V |
| | | | | | | 50° | 775*2lm | 1484lm | DALI |



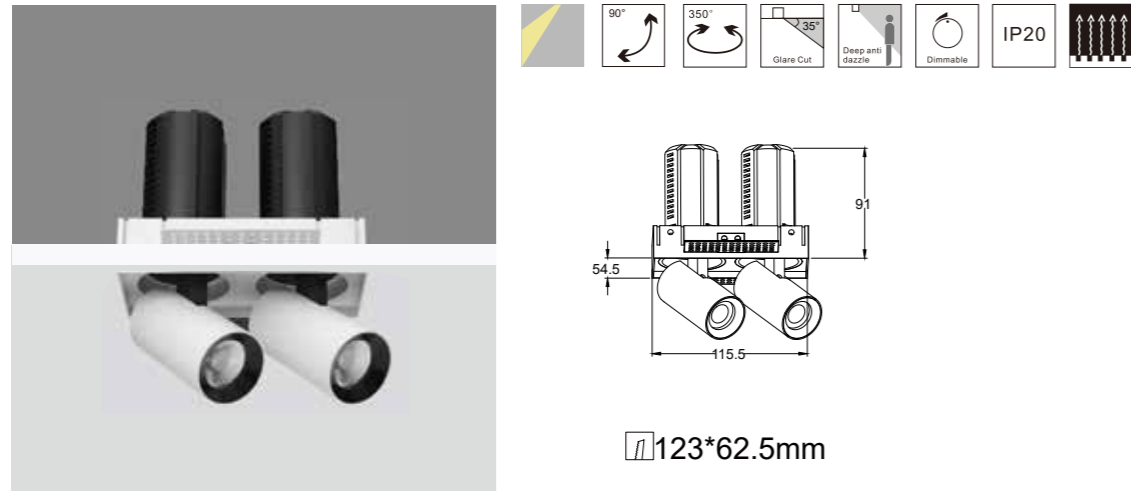
KS-DL10L-E2-3



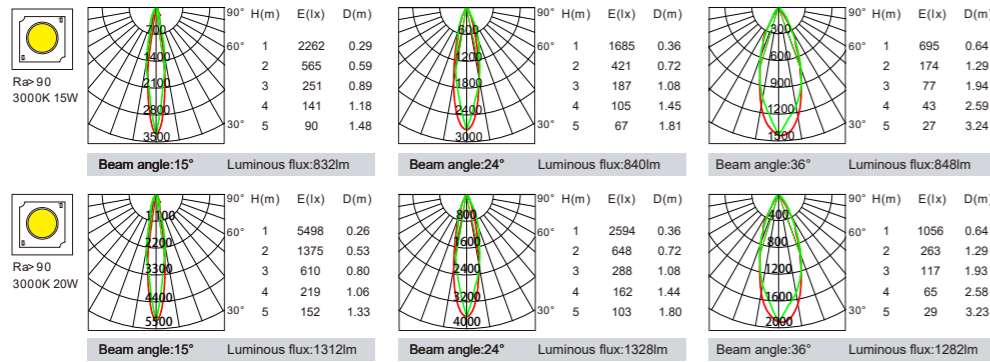
| Model | Power | LED voltage | LED Current | CRI | CCT | Beam Angle | LED Output | System output | Dimming Type |
|-----------------|-------|-------------|-------------|-----|-------|------------|------------|---------------|--------------|
| KS-DL10L-E2-320 | 20W | 36V | 2*250mA | 90 | 2700K | 15° | 864*2lm | 1512lm | ON-OFF |
| | | | | | | 24° | 864*2lm | 1568lm | TRIAC |
| | | | | | | 36° | 864*2lm | 1528lm | 1-10V |
| | | | | | | 50° | 864*2lm | 1534lm | DALI |
| | 20W | 36V | 2*250mA | 90 | 3000K | 15° | 916*2lm | 1604lm | ON-OFF |
| | | | | | | 24° | 916*2lm | 1668lm | TRIAC |
| | | | | | | 36° | 916*2lm | 1622lm | 1-10V |
| | | | | | | 50° | 916*2lm | 1628lm | DALI |
| | 20W | 36V | 2*250mA | 90 | 4000K | 15° | 968*2lm | 1752lm | ON-OFF |
| | | | | | | 24° | 968*2lm | 1718lm | TRIAC |
| | | | | | | 36° | 968*2lm | 1714lm | 1-10V |
| | | | | | | 50° | 968*2lm | 1720lm | DALI |
| KS-DL10L-E2-324 | 24W | 36V | 2*300mA | 90 | 2700K | 15° | 1037*2lm | 1756lm | ON-OFF |
| | | | | | | 24° | 1037*2lm | 1934lm | TRIAC |
| | | | | | | 36° | 1037*2lm | 1894lm | 1-10V |
| | | | | | | 50° | 1037*2lm | 1808lm | DALI |
| | 24W | 36V | 2*300mA | 90 | 3000K | 15° | 1100*2lm | 1864lm | ON-OFF |
| | | | | | | 24° | 1100*2lm | 2052lm | TRIAC |
| | | | | | | 36° | 1100*2lm | 2010lm | 1-10V |
| | | | | | | 50° | 1100*2lm | 1918lm | DALI |
| | 24W | 36V | 2*300mA | 90 | 4000K | 15° | 1162*2lm | 1968lm | ON-OFF |
| | | | | | | 24° | 1162*2lm | 2166lm | TRIAC |
| | | | | | | 36° | 1162*2lm | 2122lm | 1-10V |
| | | | | | | 50° | 1162*2lm | 2026lm | DALI |



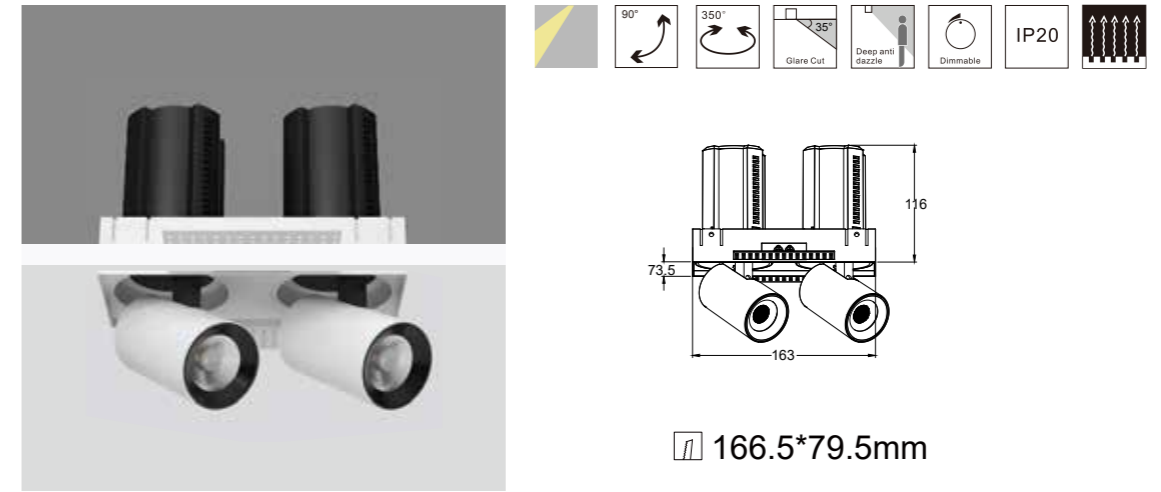
KS-DL10L-SE2-2



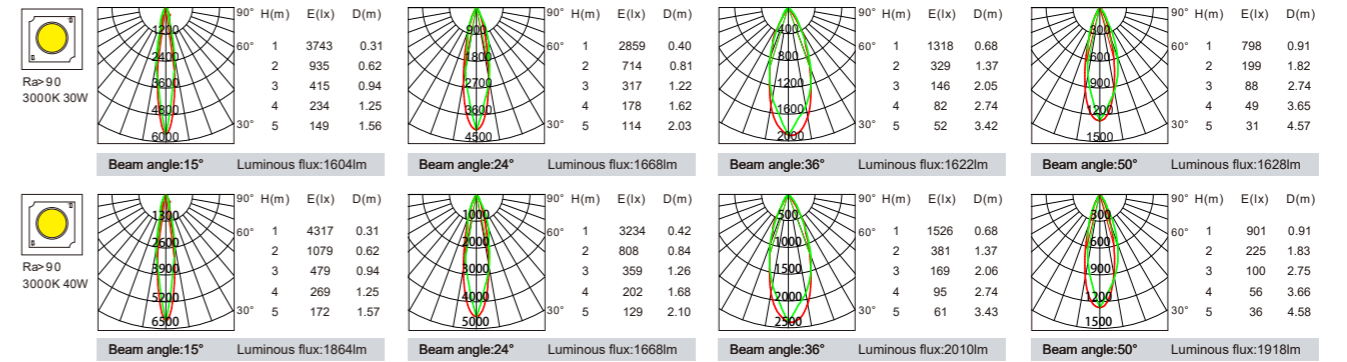
| Model | Power | LED voltage | LED Current | CRI | CCT | Beam Angle | LED Output | System output | Dimming Type |
|----------------------|-------|-------------|-------------|-----|-------|------------|------------|---------------|--------------|
| KS-DL10L-SE2-210 10W | 10W | 36V | 2*120mA | 90 | 2700K | 15° | 415*2lm | 784lm | ON-OFF |
| | | | | | | 24° | 415*2lm | 792lm | TRIAC |
| | | | | | | 36° | 415*2lm | 798lm | 1-10V |
| | | | | | | 50° | 415*2lm | 804lm | DALI |
| | 10W | 36V | 2*120mA | 90 | 3000K | 15° | 440*2lm | 832lm | ON-OFF |
| | | | | | | 24° | 440*2lm | 840lm | TRIAC |
| | | | | | | 36° | 440*2lm | 848lm | 1-10V |
| | | | | | | 50° | 440*2lm | 854lm | DALI |
| | 10W | 36V | 2*120mA | 90 | 4000K | 15° | 465*2lm | 879lm | ON-OFF |
| | | | | | | 24° | 465*2lm | 886lm | TRIAC |
| | | | | | | 36° | 465*2lm | 896lm | 1-10V |
| | | | | | | 50° | 465*2lm | 902lm | DALI |
| KS-DL10L-SE2-216 16W | 16W | 36V | 2*200mA | 90 | 2700K | 15° | 691*2lm | 1236lm | ON-OFF |
| | | | | | | 24° | 691*2lm | 1250lm | TRIAC |
| | | | | | | 36° | 691*2lm | 1208lm | 1-10V |
| | | | | | | 50° | 691*2lm | 1322lm | DALI |
| | 16W | 36V | 2*200mA | 90 | 3000K | 15° | 733*2lm | 1312lm | ON-OFF |
| | | | | | | 24° | 733*2lm | 1328lm | TRIAC |
| | | | | | | 36° | 733*2lm | 1282lm | 1-10V |
| | | | | | | 50° | 733*2lm | 1404lm | DALI |
| | 16W | 36V | 2*200mA | 90 | 4000K | 15° | 775*2lm | 1386lm | ON-OFF |
| | | | | | | 24° | 775*2lm | 1404lm | TRIAC |
| | | | | | | 36° | 775*2lm | 1354lm | 1-10V |
| | | | | | | 50° | 775*2lm | 1484lm | DALI |



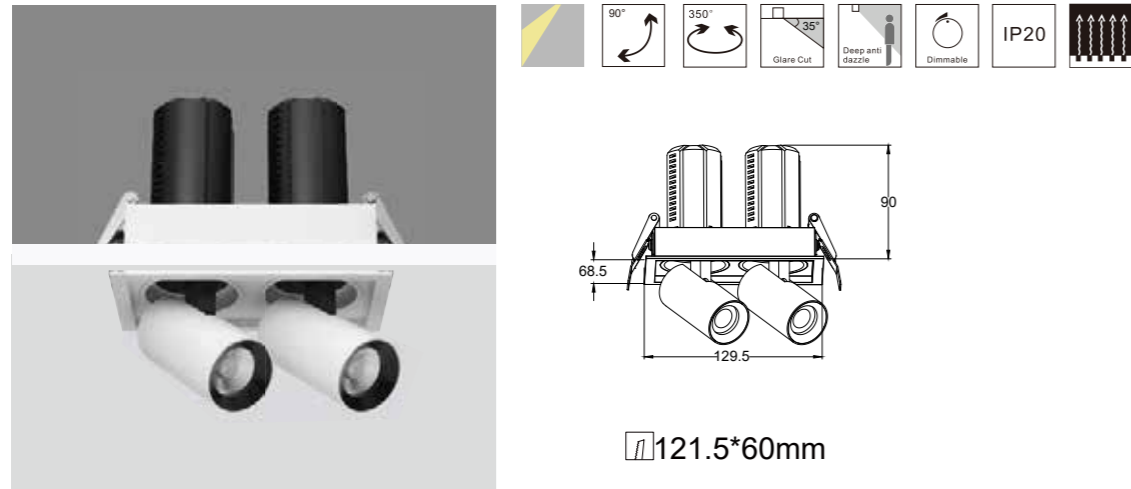
KS-DL10L-SE2-3



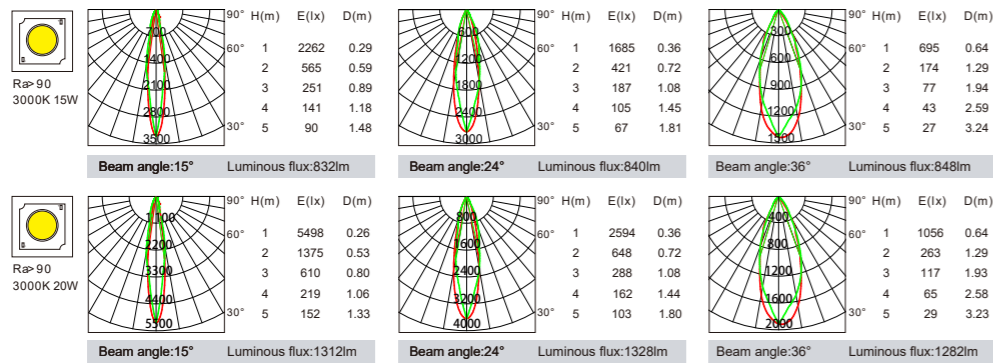
| Model | Power | LED voltage | LED Current | CRI | CCT | Beam Angle | LED Output | System output | Dimming Type |
|----------------------|-------|-------------|-------------|-----|-------|------------|------------|---------------|--------------|
| KS-DL10L-SE2-320 20W | 20W | 36V | 2*250mA | 90 | 2700K | 15° | 864*2lm | 1512lm | ON-OFF |
| | | | | | | 24° | 864*2lm | 1568lm | TRIAC |
| | | | | | | 36° | 864*2lm | 1528lm | 1-10V |
| | | | | | | 50° | 864*2lm | 1534lm | DALI |
| | 20W | 36V | 2*250mA | 90 | 3000K | 15° | 916*2lm | 1604lm | ON-OFF |
| | | | | | | 24° | 916*2lm | 1668lm | TRIAC |
| | | | | | | 36° | 916*2lm | 1622lm | 1-10V |
| | | | | | | 50° | 916*2lm | 1628lm | DALI |
| | 20W | 36V | 2*250mA | 90 | 4000K | 15° | 968*2lm | 1752lm | ON-OFF |
| | | | | | | 24° | 968*2lm | 1718lm | TRIAC |
| | | | | | | 36° | 968*2lm | 1714lm | 1-10V |
| | | | | | | 50° | 968*2lm | 1720lm | DALI |
| KS-DL10L-SE2-324 24W | 24W | 36V | 2*300mA | 90 | 2700K | 15° | 1037*2lm | 1756lm | ON-OFF |
| | | | | | | 24° | 1037*2lm | 1934lm | TRIAC |
| | | | | | | 36° | 1037*2lm | 1894lm | 1-10V |
| | | | | | | 50° | 1037*2lm | 1808lm | DALI |
| | 24W | 36V | 2*300mA | 90 | 3000K | 15° | 1100*2lm | 1864lm | ON-OFF |
| | | | | | | 24° | 1100*2lm | 2052lm | TRIAC |
| | | | | | | 36° | 1100*2lm | 2010lm | 1-10V |
| | | | | | | 50° | 1100*2lm | 1918lm | DALI |
| | 24W | 36V | 2*300mA | 90 | 4000K | 15° | 1162*2lm | 1968lm | ON-OFF |
| | | | | | | 24° | 1162*2lm | 2166lm | TRIAC |
| | | | | | | 36° | 1162*2lm | 2122lm | 1-10V |
| | | | | | | 50° | 1162*2lm | 2026lm | DALI |



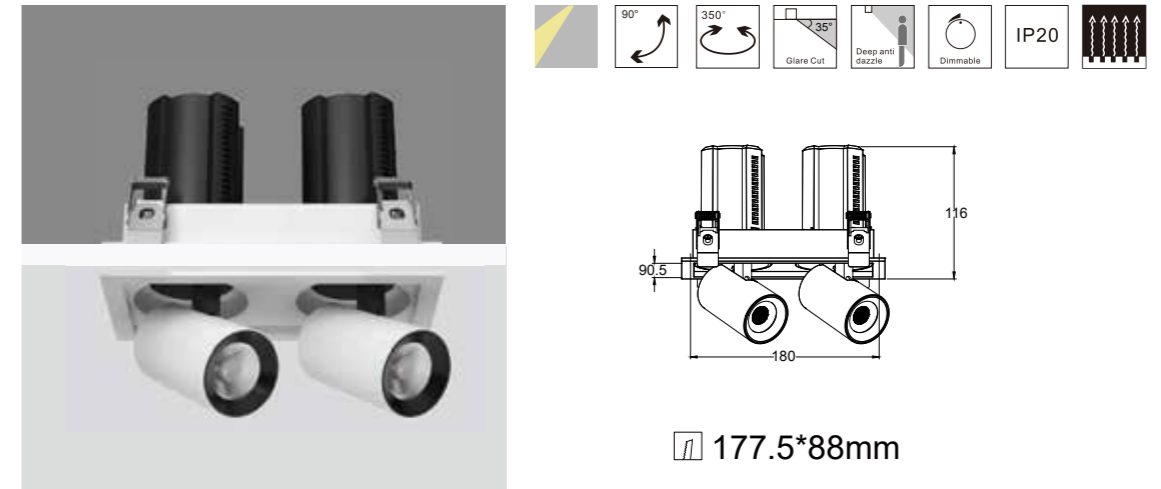
KS-DL10L-S1-2



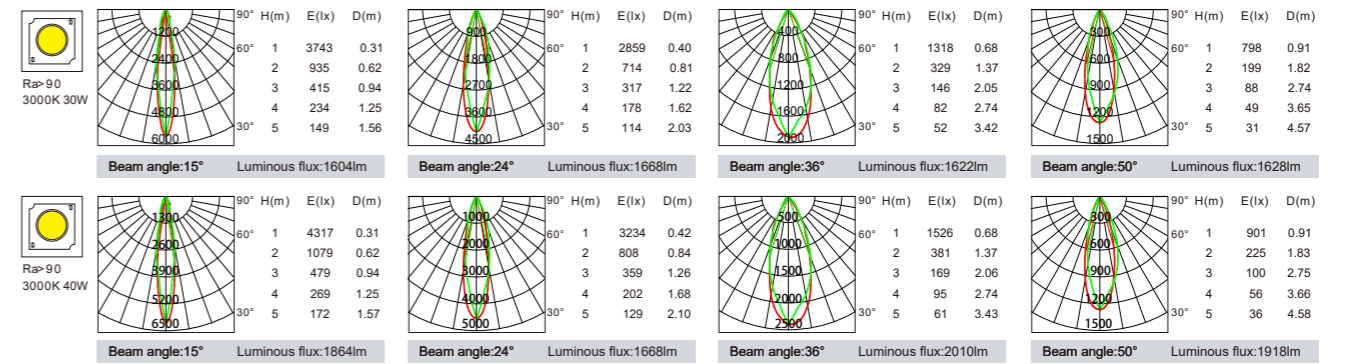
| Model | Power | LED voltage | LED Current | CRI | CCT | Beam Angle | LED Output | System output | Dimming Type |
|-----------------|-------|-------------|-------------|-----|-------|------------|------------|---------------|--------------|
| KS-DL10L-S2-210 | 10W | 36V | 2*120mA | 90 | 2700K | 15° | 415*2lm | 784lm | ON-OFF |
| | | | | | | 24° | 415*2lm | 792lm | TRIAC |
| | | | | | | 36° | 415*2lm | 798lm | 1-10V |
| | | | | | | 50° | 415*2lm | 804lm | DALI |
| | 10W | 36V | 2*120mA | 90 | 3000K | 15° | 440*2lm | 832lm | ON-OFF |
| | | | | | | 24° | 440*2lm | 840lm | TRIAC |
| | | | | | | 36° | 440*2lm | 848lm | 1-10V |
| | | | | | | 50° | 440*2lm | 854lm | DALI |
| | 10W | 36V | 2*120mA | 90 | 4000K | 15° | 465*2lm | 879lm | ON-OFF |
| | | | | | | 24° | 465*2lm | 886lm | TRIAC |
| | | | | | | 36° | 465*2lm | 896lm | 1-10V |
| | | | | | | 50° | 465*2lm | 902lm | DALI |
| KS-DL10L-S2-216 | 16W | 36V | 2*200mA | 90 | 2700K | 15° | 691*2lm | 1236lm | ON-OFF |
| | | | | | | 24° | 691*2lm | 1250lm | TRIAC |
| | | | | | | 36° | 691*2lm | 1208lm | 1-10V |
| | | | | | | 50° | 691*2lm | 1322lm | DALI |
| | 16W | 36V | 2*200mA | 90 | 3000K | 15° | 733*2lm | 1312lm | ON-OFF |
| | | | | | | 24° | 733*2lm | 1328lm | TRIAC |
| | | | | | | 36° | 733*2lm | 1282lm | 1-10V |
| | | | | | | 50° | 733*2lm | 1404lm | DALI |
| | 16W | 36V | 2*200mA | 90 | 4000K | 15° | 775*2lm | 1386lm | ON-OFF |
| | | | | | | 24° | 775*2lm | 1404lm | TRIAC |
| | | | | | | 36° | 775*2lm | 1354lm | 1-10V |
| | | | | | | 50° | 775*2lm | 1484lm | DALI |



KS-DL10L-S2-3



| Model | Power | LED voltage | LED Current | CRI | CCT | Beam Angle | LED Output | System output | Dimming Type |
|-----------------|-------|-------------|-------------|-----|-------|------------|------------|---------------|--------------|
| KS-DL10L-S2-320 | 20W | 36V | 2*250mA | 90 | 2700K | 15° | 864*2lm | 1512lm | ON-OFF |
| | | | | | | 24° | 864*2lm | 1568lm | TRIAC |
| | | | | | | 36° | 864*2lm | 1528lm | 1-10V |
| | | | | | | 50° | 864*2lm | 1534lm | DALI |
| | 20W | 36V | 2*250mA | 90 | 3000K | 15° | 916*2lm | 1604lm | ON-OFF |
| | | | | | | 24° | 916*2lm | 1668lm | TRIAC |
| | | | | | | 36° | 916*2lm | 1622lm | 1-10V |
| | | | | | | 50° | 916*2lm | 1628lm | DALI |
| | 20W | 36V | 2*250mA | 90 | 4000K | 15° | 968*2lm | 1752lm | ON-OFF |
| | | | | | | 24° | 968*2lm | 1718lm | TRIAC |
| | | | | | | 36° | 968*2lm | 1714lm | 1-10V |
| | | | | | | 50° | 968*2lm | 1720lm | DALI |
| KS-DL10L-S2-324 | 24W | 36V | 2*300mA | 90 | 2700K | 15° | 1037*2lm | 1756lm | ON-OFF |
| | | | | | | 24° | 1037*2lm | 1934lm | TRIAC |
| | | | | | | 36° | 1037*2lm | 1894lm | 1-10V |
| | | | | | | 50° | 1037*2lm | 1808lm | DALI |
| | 24W | 36V | 2*300mA | 90 | 3000K | 15° | 1100*2lm | 1864lm | ON-OFF |
| | | | | | | 24° | 1100*2lm | 2052lm | TRIAC |
| | | | | | | 36° | 1100*2lm | 2010lm | 1-10V |
| | | | | | | 50° | 1100*2lm | 1918lm | DALI |
| | 24W | 36V | 2*300mA | 90 | 4000K | 15° | 1162*2lm | 1968lm | ON-OFF |
| | | | | | | 24° | 1162*2lm | 2166lm | TRIAC |
| | | | | | | 36° | 1162*2lm | 2122lm | 1-10V |
| | | | | | | 50° | 1162*2lm | 2026lm | DALI |



connect



IINNO Ltd
Unit 7, 8/F, Tower B
83 King Lam Street
Lai Chi Kok, Kowloon
Hong Kong
Tel: +86 (0)769 2301 0151 / 2
WhatsApp: +86 139 2290 5402
Email: sales@iinno-lighting.com
Web: www.iinno-lighting.com

